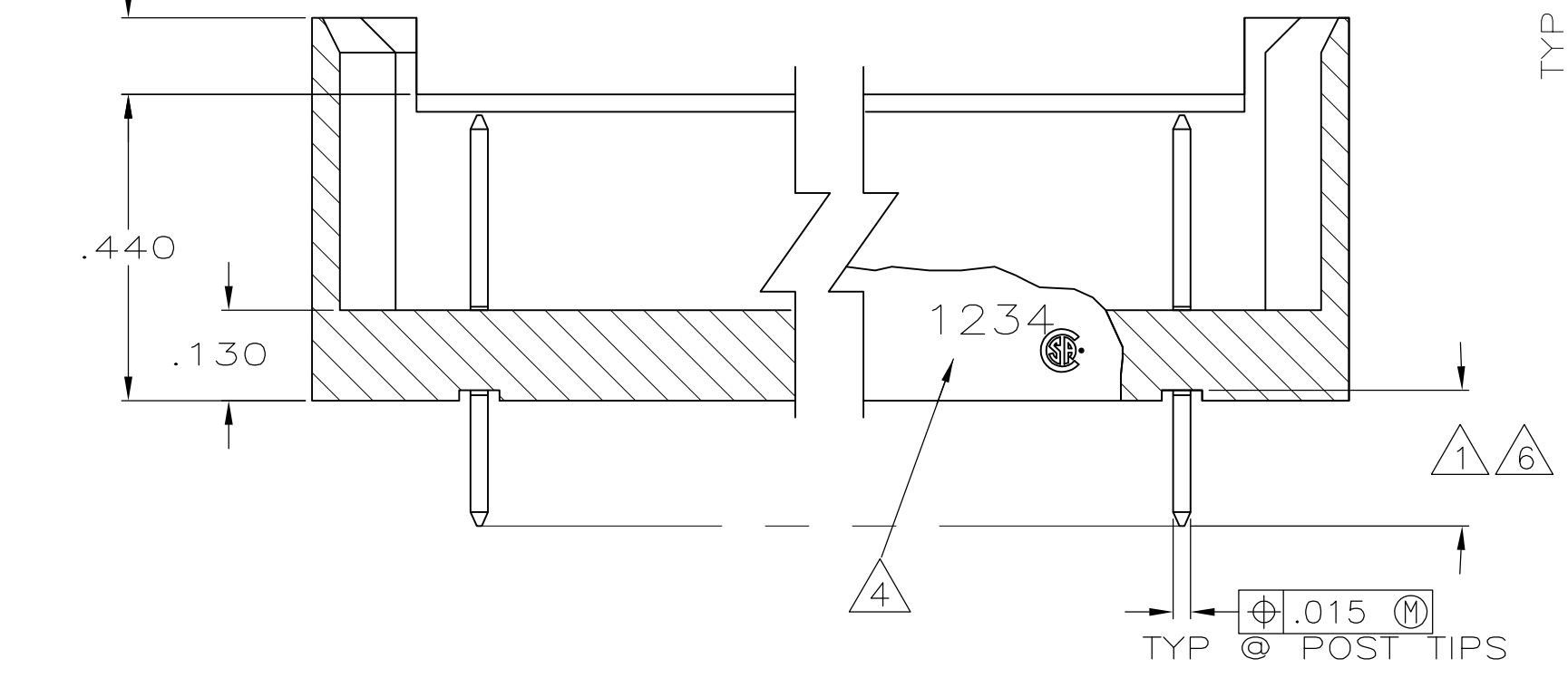
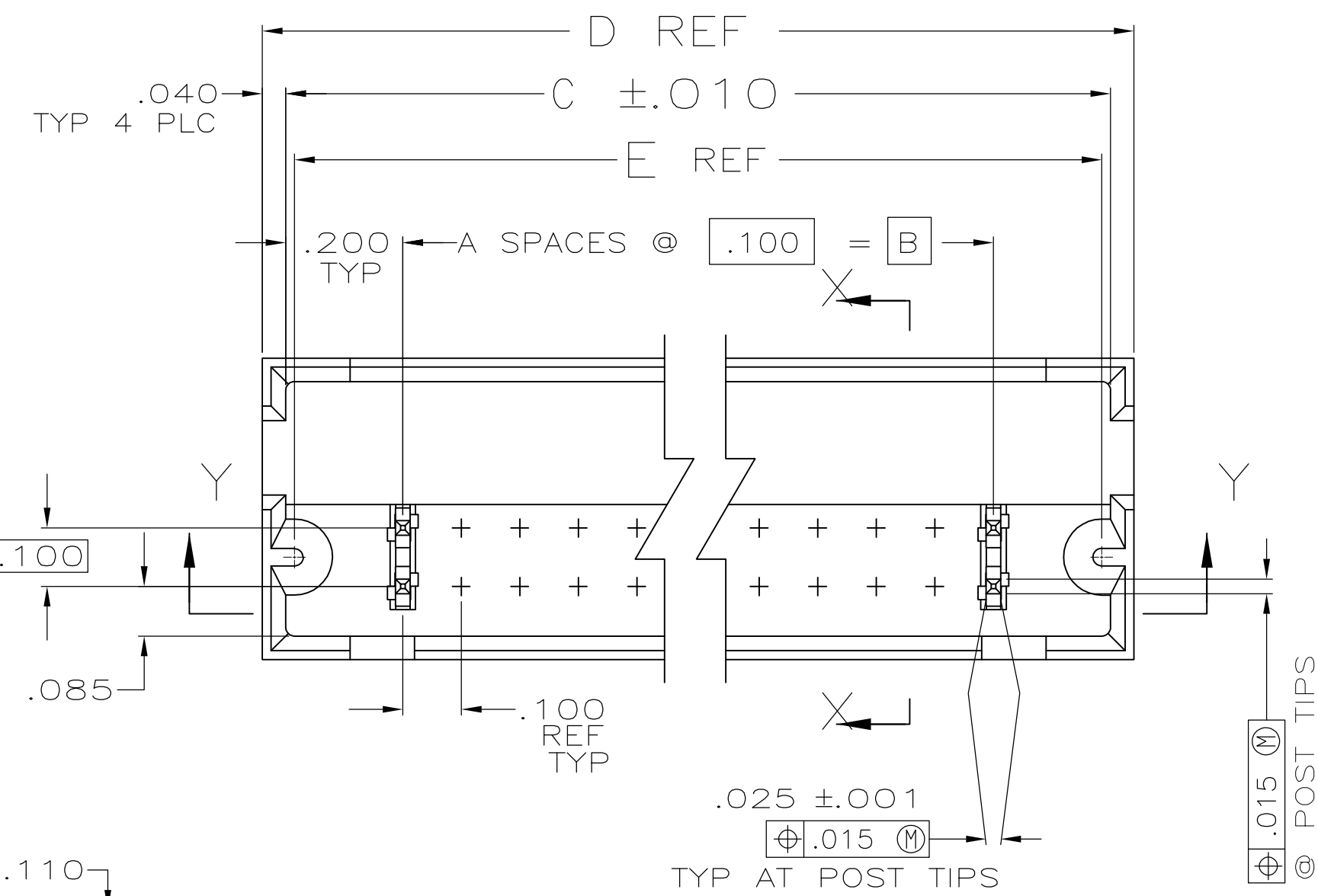
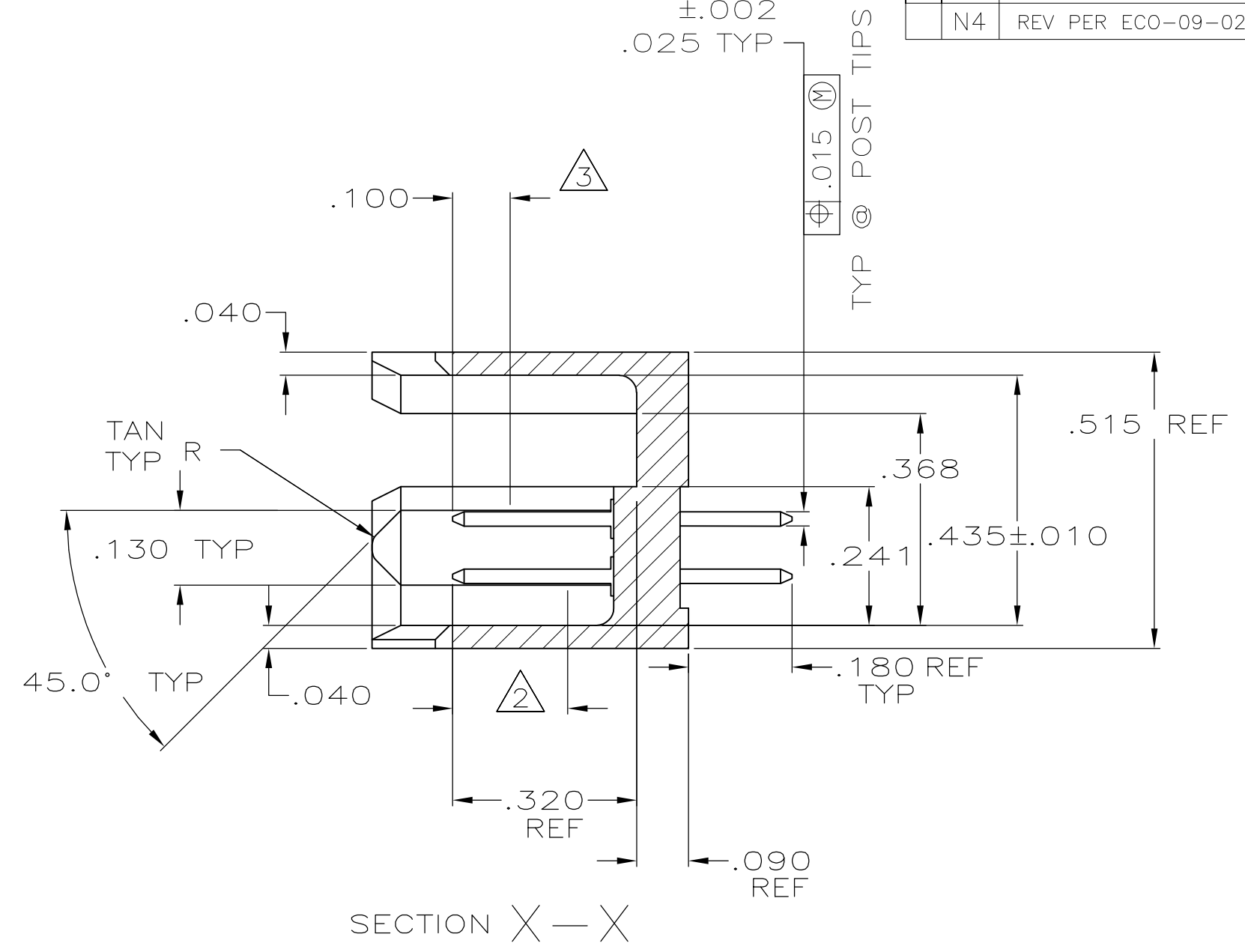


THIS DRAWING IS UNPUBLISHED. RELEASED FOR PUBLICATION
 © COPYRIGHT BY TYCO ELECTRONICS CORPORATION. ALL RIGHTS RESERVED.

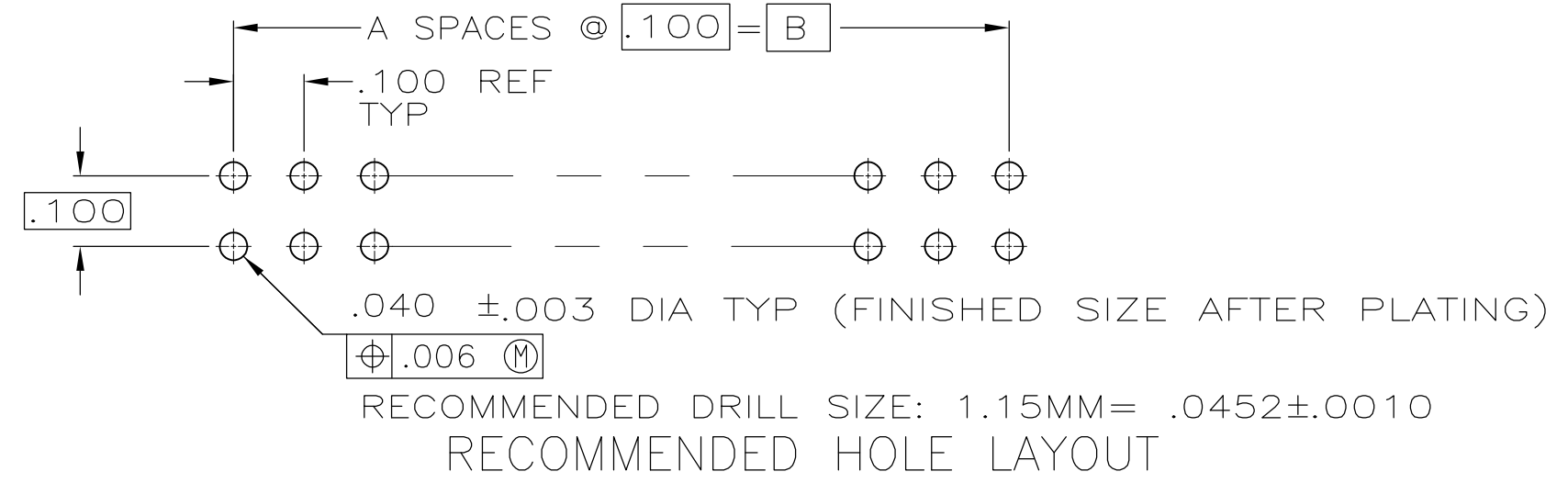
Loc		DIST		REVISIONS				
P	LTR	DESCRIPTION	DATE	DWN	APVD			
	N3	ECO-07-016583	11DEC07	MB	JO			
	N4	REV PER ECO-09-021826	11SEP09	KK	AEG			



SECT Y-Y



- ① FINISH OVER INDICATED AREA: .000100-.000200 BRIGHT TIN LEAD OVER .000050 NICKEL.
- ② FINISH OVER INDICATED AREA: .000015 GOLD OVER .000050 NICKEL.
- ③ POINT OF MEASUREMENT FOR PLATING THICKNESS.
- ④ RECESSED DATE CODE AND CSA LOGO.
- ⑤ OBSOLETE PART NUMBER.
- ⑥ FINISH OVER INDICATED AREA: .000100-.000200 MATTE TIN OVER .000050 NICKEL.
- ⑦ PRELIMINARY PART.
- ⑧ ROHS 2002/95/EC COMPLIANT
- ⑨ HEADER: GLASS-FILLED, FLAME RETARDANT THERMOPLASTIC COLOR: BLACK POST: COPPER ALLOY
- ⑩ OBSOLETE PARTS: OBSOLETE CIS STREAMLINING PER D.RENAUD/D.SINISI



THIS DRAWING IS A CONTROLLED DOCUMENT.		DWN B. HAYMAKER 30MAR00	Tyco Electronics Corporation Harrisburg, PA 17105	
DIMENSIONS: INCHES		CHK J. GESFORD 30MAR00	NAME HEADER ASSEMBLY, MOD II, .100 X .100CL	
TOLERANCES UNLESS OTHERWISE SPECIFIED:		APVD J. GESFORD 30MAR00	PRODUCT SPEC	
0 PLC ± -		APPLICATION SPEC		
1 PLC ± -		WEIGHT		
2 PLC ± -		SCALE 4:1		
3 PLC ± .005		SHEET 1 OF 2		
4 PLC ± -		REV N4		
ANGLES ± -		CUSTOMER DRAWING		
FINISH SEE NOTES		SIZE A2 CAGE CODE 00779 DRAWING NO C=102567 RESTRICTED TO		

THIS DRAWING IS UNPUBLISHED. RELEASED FOR PUBLICATION
 © COPYRIGHT BY TYCO ELECTRONICS CORPORATION. ALL RIGHTS RESERVED.

LOC	DIST	REVISIONS					
AD	00	P	LTR	DESCRIPTION	DATE	DWN	APVD
		-		SEE SHEET 1	-	-	-

OBSOLETE	5	1.870	1.980	1.900	1.500	15	32	7-102567-9
		9.270	9.380	9.300	8.900	89	180	7-102567-8
OBSOLETE	5	7.670	7.780	7.700	7.300	73	148	7-102567-7
		6.670	6.780	6.700	6.300	63	128	7-102567-6
OBSOLETE	5	4.970	5.080	5.000	4.600	46	94	7-102567-5
		2.470	2.580	2.500	2.100	21	44	7-102567-4
OBSOLETE	5	.970	1.080	1.000	.600	6	14	7-102567-3
		8.270	8.380	8.300	7.900	79	160	7-102567-2
OBSOLETE	5	10.270	10.380	10.300	9.900	99	200	7-102567-1
		7.270	7.380	7.300	6.900	69	140	7-102567-0
OBSOLETE	5	6.770	6.880	6.800	6.400	64	130	6-102567-9
		1.070	1.180	1.100	.700	7	16	6-102567-8
OBSOLETE	5	4.570	4.680	4.600	4.200	42	86	6-102567-7
		3.870	3.980	3.900	3.500	35	72	6-102567-6
OBSOLETE	5	5.770	5.880	5.800	5.400	54	110	6-102567-5
		4.770	4.880	4.800	4.400	44	90	6-102567-4
OBSOLETE	5	1.770	1.880	1.800	1.400	14	30	6-102567-3
		2.270	2.380	2.300	1.900	19	40	6-102567-2
OBSOLETE	5	1.270	1.380	1.300	.900	9	20	6-102567-1
		3.770	3.880	3.800	3.400	34	70	6-102567-0
OBSOLETE	5	5.270	5.380	5.300	4.900	49	100	5-102567-9
		4.270	4.380	4.300	3.900	39	80	5-102567-8
OBSOLETE	5	6.270	6.380	6.300	5.900	59	120	5-102567-7
		2.770	2.880	2.800	2.400	24	50	5-102567-6
OBSOLETE	5	5.070	5.180	5.100	4.700	47	96	5-102567-5
		3.270	3.380	3.300	2.900	29	60	5-102567-4
OBSOLETE	5	2.070	2.180	2.100	1.700	17	36	5-102567-3
		1.470	1.580	1.500	1.100	11	24	5-102567-2
OBSOLETE	5	.870	.980	.900	.500	5	12	5-102567-1
		FINISH	E	D	C	B	A	NO. OF POSN

SUPERSEDED BY 5-102567-1	2	6	.870	.980	.900	.500	5	12	3-102567-0
OBSOLETE	5	10	1.870	1.980	1.900	1.500	15	32	2-102567-9
			9.270	9.380	9.300	8.900	89	180	2-102567-8
OBSOLETE	5	10	7.670	7.780	7.700	7.300	73	148	2-102567-7
			6.670	6.780	6.700	6.300	63	128	2-102567-6
OBSOLETE	5	10	4.970	5.080	5.000	4.600	46	94	2-102567-5
			2.470	2.580	2.500	2.100	21	44	2-102567-4
OBSOLETE	5	10	.970	1.080	1.000	.600	6	14	2-102567-3
			8.270	8.380	8.300	7.900	79	160	2-102567-2
OBSOLETE	5	10	10.270	10.380	10.300	9.900	99	200	2-102567-1
			7.270	7.380	7.300	6.900	69	140	2-102567-0
OBSOLETE	5	10	6.770	6.880	6.800	6.400	64	130	1-102567-9
			1.070	1.180	1.100	.700	7	16	1-102567-8
OBSOLETE	5	10	4.570	4.680	4.600	4.200	42	86	1-102567-7
			3.870	3.980	3.900	3.500	35	72	1-102567-6
OBSOLETE	5	10	5.770	5.880	5.800	5.400	54	110	1-102567-5
			4.770	4.880	4.800	4.400	44	90	1-102567-4
OBSOLETE	5	10	1.770	1.880	1.800	1.400	14	30	1-102567-3
			2.270	2.380	2.300	1.900	19	40	1-102567-2
OBSOLETE	5	10	1.270	1.380	1.300	.900	9	20	1-102567-1
			3.770	3.880	3.800	3.400	34	70	1-102567-0
OBSOLETE	5	10	5.270	5.380	5.300	4.900	49	100	102567-9
			4.270	4.380	4.300	3.900	39	80	102567-8
OBSOLETE	5	10	6.270	6.380	6.300	5.900	59	120	102567-7
			2.770	2.880	2.800	2.400	24	50	102567-6
OBSOLETE	5	10	5.070	5.180	5.100	4.700	47	96	102567-5
			3.270	3.380	3.300	2.900	29	60	102567-4
OBSOLETE	5	10	2.070	2.180	2.100	1.700	17	36	102567-3
			1.470	1.580	1.500	1.100	11	24	102567-2
OBSOLETE	5	10	.870	.980	.900	.500	5	12	102567-1
			FINISH	E	D	C	B	A	NO. OF POSN

THIS DRAWING IS A CONTROLLED DOCUMENT.		DWN B. HAYMAKER 30MAR00	Tyco Electronics Corporation Harrisburg, PA 17105	
DIMENSIONS: INCHES		CHK J. GESFORD 30MAR00	NAME HEADER ASSEMBLY, MOD II, .100 X .100CL	
TOLERANCES UNLESS OTHERWISE SPECIFIED: 0 PLC ± - 1 PLC ± - 2 PLC ± - 3 PLC ± .005 4 PLC ± - ANGLES ± -		APVD J. GESFORD 30MAR00	PRODUCT SPEC APPLICATION SPEC	
MATERIAL -		FINISH SEE NOTES	WEIGHT -	RESTRICTED TO -
CUSTOMER DRAWING		SCALE 4:1	SHEET 2 OF 2	REV N4