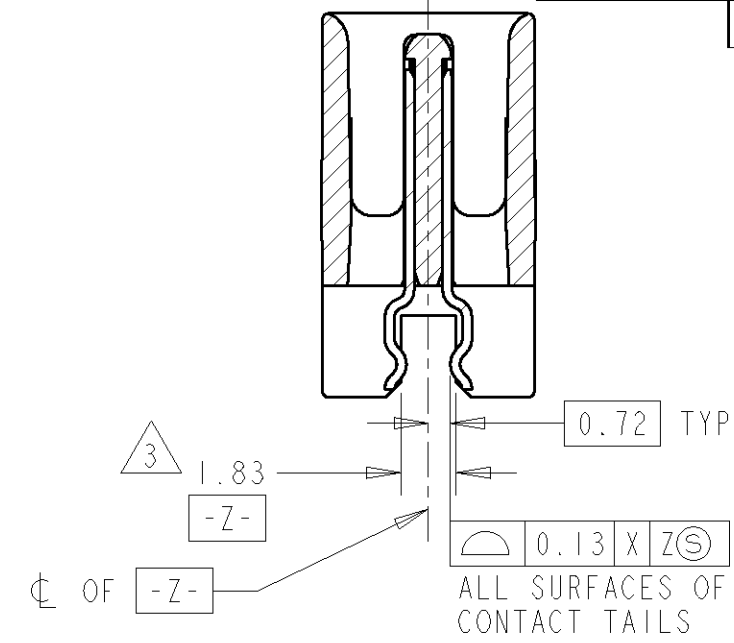
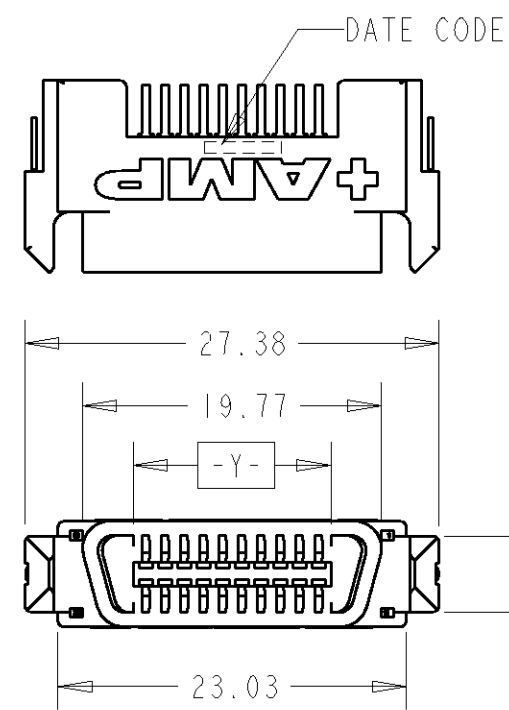
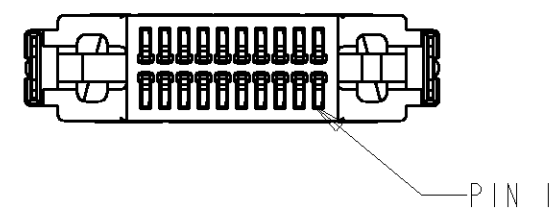
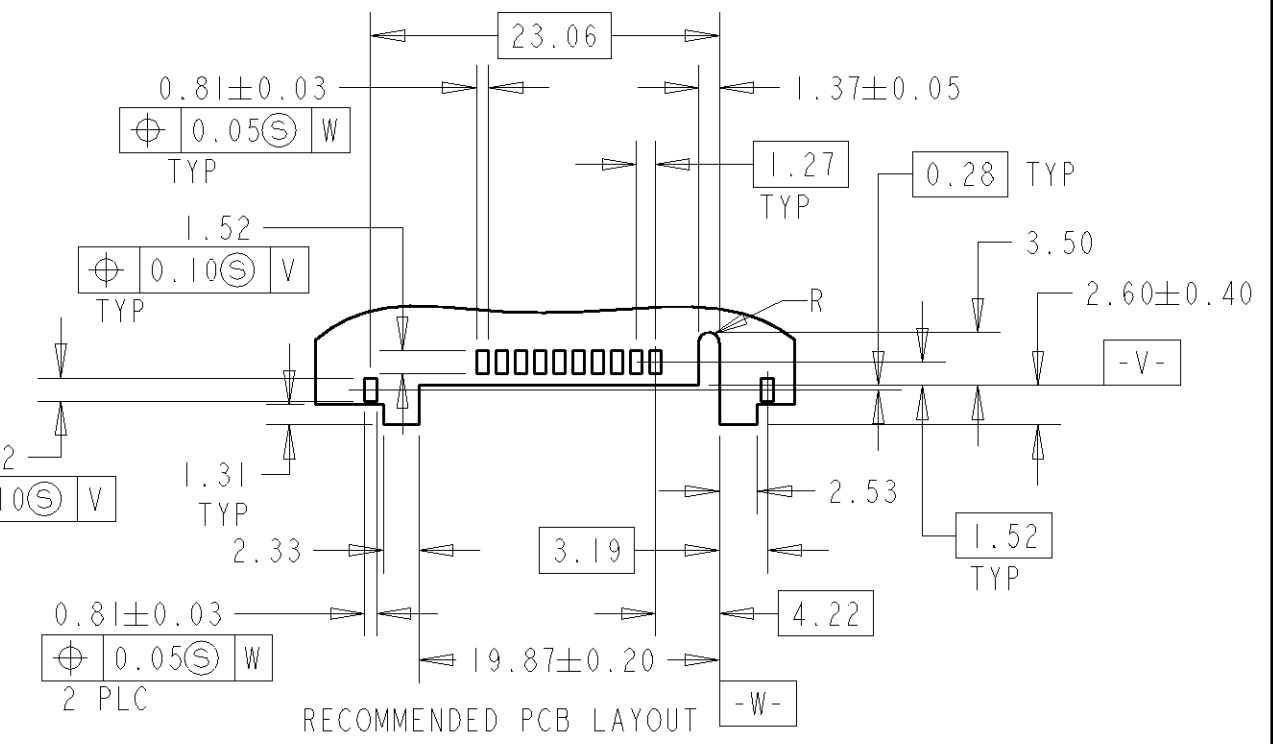
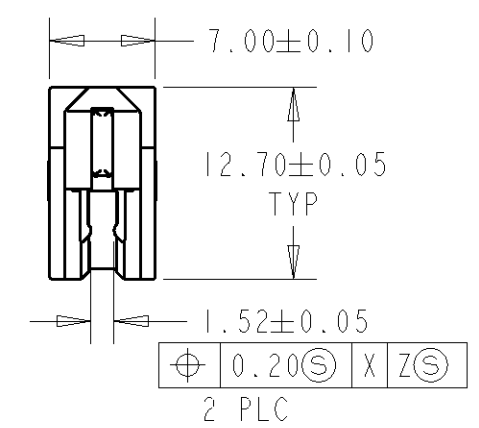
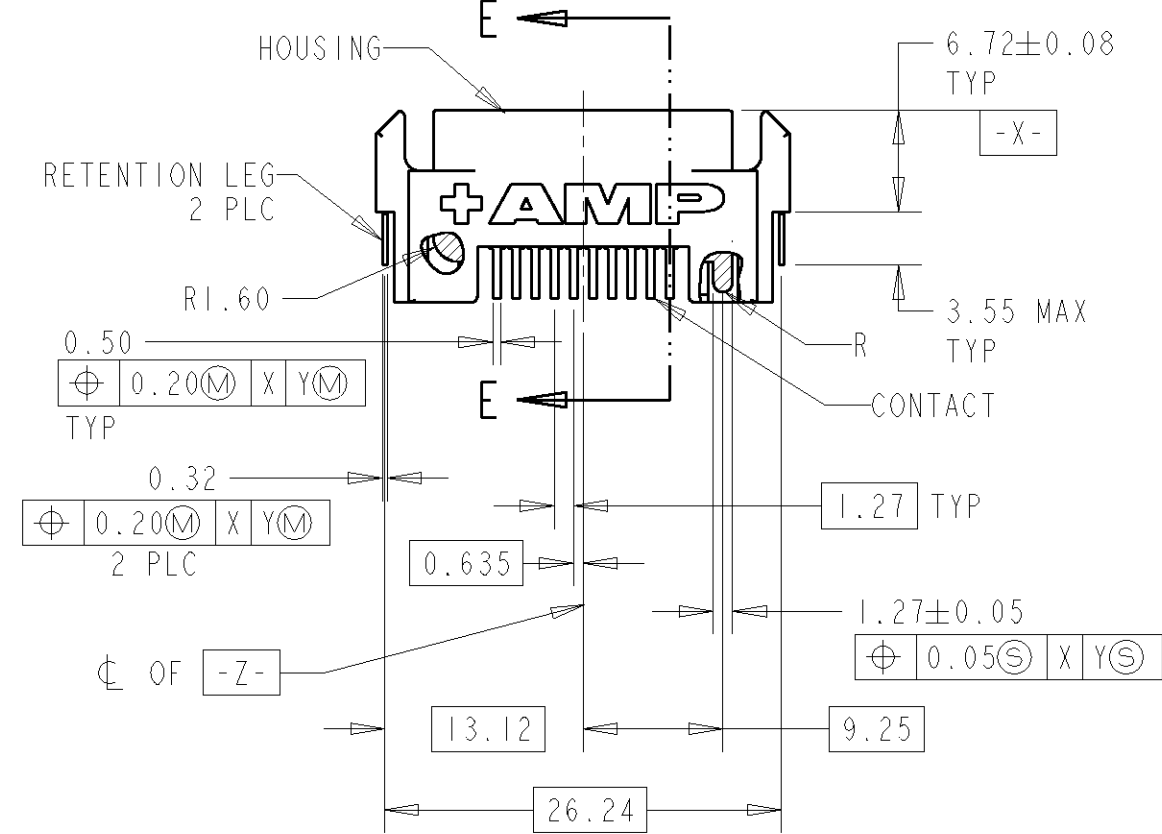


THIS DRAWING IS UNPUBLISHED. RELEASED FOR PUBLICATION .19
 © COPYRIGHT 19 BY AMP INCORPORATED. ALL RIGHTS RESERVED.

LOC		DIST		REVISIONS			
P	LTR	DESCRIPTION		DATE	DWN	APVD	
DY	-	0	NPR FP00-0349-04	24JAN05	LWY	VT	



- NOTES:
- 1 HOUSING: LCP, UL 94V-0 RATED, BLACK
CONTACTS: PHOSPHOR BRONZE
RETENTION LEGS: BRASS
 - 2 CONTACT:
0.76um MIN GOLD FOR A LENGTH 2.00 STARTING 1.00 MAX FROM MATING END, 3.81um MIN TIN FOR A LENGTH OF 3.43 MIN FROM OPPOSITE END, BOTH OVER 1.27um MIN NICKEL
RETENTION LEG:
3.81 um MIN TIN OVER 1.27um MIN NICKEL
 - 3 MAXIMUM PRINTED CIRCUIT BOARD THICKNESS THAT CONNECTOR WILL ACCOMMODATE.



P/N: -I AS SHOWN

THIS DRAWING IS A CONTROLLED DOCUMENT FOR AMP INCORPORATED. IT IS SUBJECT TO CHANGE AND THE CONTROLLING ENGINEERING ORGANIZATION SHOULD BE CONTACTED FOR THE LATEST REVISION.		DWN WYLEE 24JAN05	tyco Tyco Electronics Singapore Pte. Ltd.	
DIMENSIONS: mm		CHK VINCENT TAN	NAME PLUG ASSY, STRADDLE MOUNT, CHAMP BLINDMATE .050 SERIES I, 20P	
TOLERANCES UNLESS OTHERWISE SPECIFIED: 0 PLC ± 1 PLC ± 2 PLC ±0.10 3 PLC ± 4 PLC ± ANGLES ±1°		APVD SF L FONG	DRAWING NO C=5084598	
MATERIAL		PRODUCT SPEC 108-1548	SIZE A3	CAGE CODE 00779
FINISH		APPLICATION SPEC 114-6061	SCALE 2:1	SHEET 1 OF 1
1		WEIGHT -	REV 0	
CUSTOMER DRAWING				