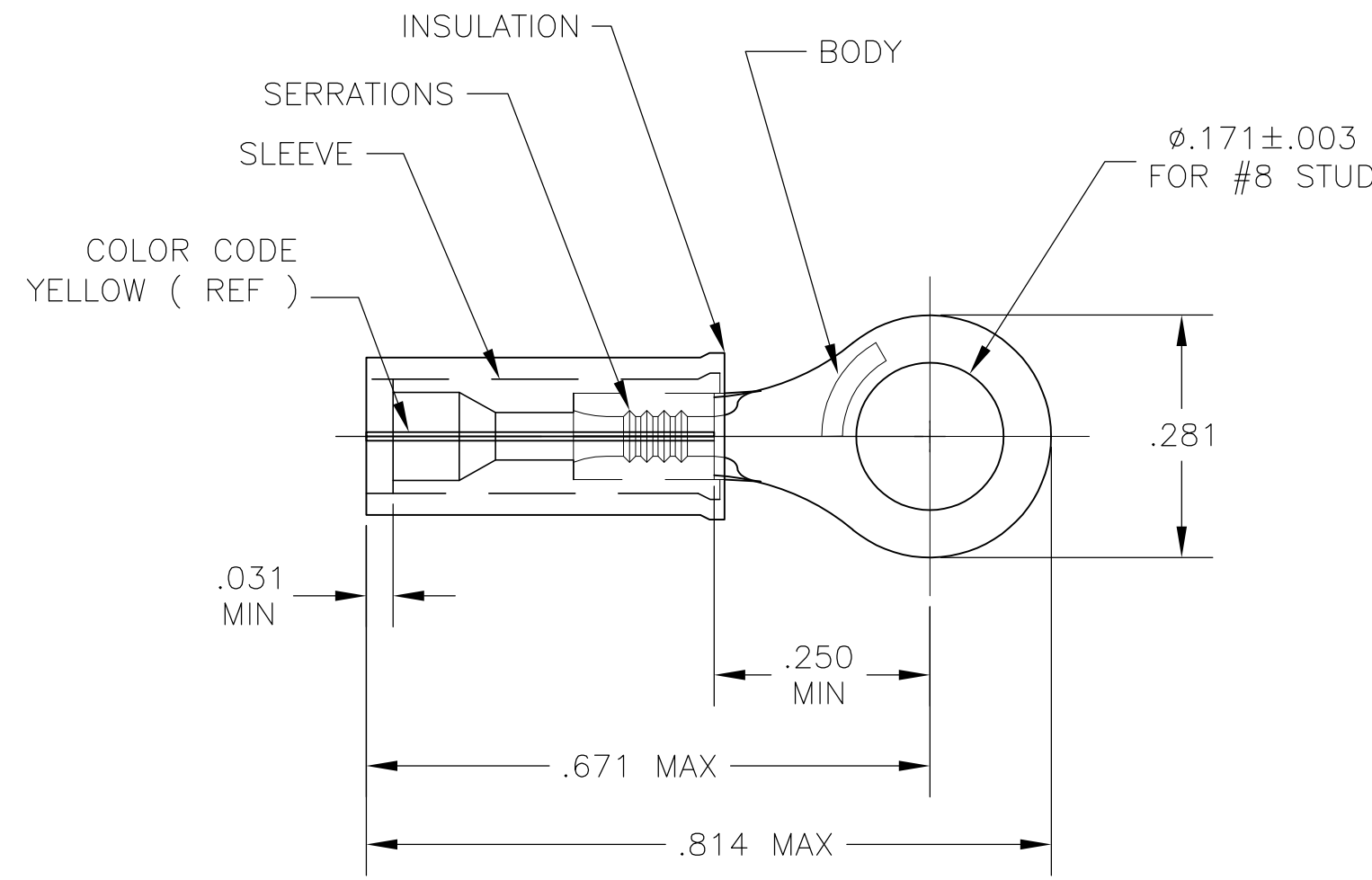


THIS DRAWING IS UNPUBLISHED. RELEASED FOR PUBLICATION  
 © COPYRIGHT BY TYCO ELECTRONICS CORPORATION. ALL RIGHTS RESERVED.

LOC	DIST	REVISIONS					
		P	LTR	DESCRIPTION	DATE	DWN	APVD
G	14		E2	REV PER ECR 09-026074	30NOV09	JR	TM



- 1 MUST BE CRIMPED WITH A 22-18 OR 22-16 P.I.D.G. ( RED ) TOOL.
- 2 WIRE INSULATION DIA: .032-.082
- 3 TONGUE MATERIAL THK: .027±.002
- △ 4 BODY & SLEEVE: TIN/LEAD (93-7) PLATE PER ASTM B545. ( 3% MIN LEAD CONTENT)
- △ 5 MATERIAL: BODY & SLEEVE- CU PER ASTM B152  
 INSULATION - PVF2, COLOR - NATURAL

M7928/4-146, CLASS 1 & 2 M7928/13-146, CLASS 2	1000	LOOSE PIECE	53403-1
MILITARY	QTY	PACKAGE TYPE	PART NO.

<b>AMP INCORPORATED CUSTOMER SERVICE SYSTEMS</b>		MAX RECOMMENDED OPERATING TEMPERATURE: 150°C MAX
FOR ADDITIONAL PRODUCT INFORMATION OR COPIES OF DRAWINGS AND TECHNICAL DOCUMENTS	PRODUCT INFORMATION CENTER 1-800-522-6752	VOLTAGE RATING: N/A
FOR APPLICATION TOOLING INFORMATION	TOOLING ASSISTANCE CENTER 1-800-722-1111	CIRCULAR MIL AREA: 0.10-0.26mm <sup>2</sup> [202-509] STRANDED
FOR ORDER ENTRY	1-800-526-5142	THIS DRAWING IS A CONTROLLED DOCUMENT FOR AMP INCORPORATED. IT IS SUBJECT TO CHANGE AND THE CONTROLLING ENGINEERING ORGANIZATION SHOULD BE CONTACTED FOR THE LATEST REVISION.

THIS DRAWING IS A CONTROLLED DOCUMENT.	
DIMENSIONS: INCHES	TOLERANCES UNLESS OTHERWISE SPECIFIED:
	0 PLC ± - 1 PLC ± - 2 PLC ± 0.20[.008] 3 PLC ± - 4 PLC ± - ANGLES ± -
MATERIAL	FINISH
- △ 4	- △ 5

DWN JR RUTH 27MAY05	Tyco Electronics Corporation Harrisburg, Pa 17105-3608	
CHK T MICHELUTTI 23MAY05	NAME TERMINAL, RING TONGUE, PVF2 , PIDG WIRE SIZE: 26-24 AWG	
APVD T MICHELUTTI 23MAY05	PRODUCT SPEC 108-11023	RESTRICTED TO
APPLICATION SPEC NOT AVAILABLE	SIZE A3	CAGE CODE 00779
WEIGHT -	DRAWING NO G-53403	REV E2
CUSTOMER DRAWING		SCALE 4:1 SHEET 1 OF 1