

Shielded CHAMP Right Angle PCB Connectors (Continued)

Preassembled Bail Lock

Material and Finish

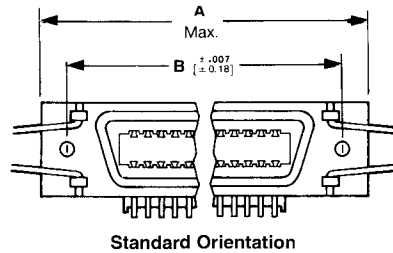
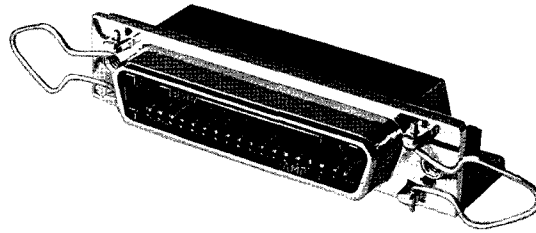
Housing, Bracket Adaptor Comb and Terminal Support Plate — Polyester, black

Bail-Clip — Passivated stainless steel

Receptacle Shield — Bright nickel over copper plated die casting

Terminals — Selectively plated gold over nickel plated high strength copper alloy, tin plated tails

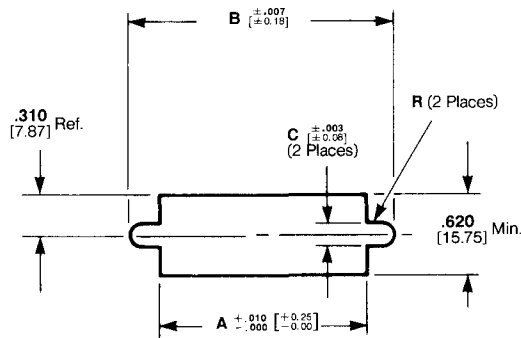
Ground Bracket — Zinc plated carbon steel



No. of Positions	Preassembled Shielded Bail Lock			
	Dimensions		Screw Size	Part Number Standard
	A	B		
36	2.710 68.83	2.352 59.74	4-40	555233-1
50	3.305 83.95	2.946 74.83	4-40	554901-11

¹ SCSI applicable

Recommended Panel Mount Cutout (Rear Panel Mounting Only)



No. of Positions	Preassembled Shielded Bail Lock		
	Dimensions		
	A	B	C
36	2.316 58.83	2.478 62.94	.126 3.20
50	2.910 73.91	3.072 78.03	.126 3.20

Panel Thickness Range: 0.62 [1.57] Max., Preassembled Connectors

CHAMP .085 Centerline
Miniature Ribbon Connector Systems

