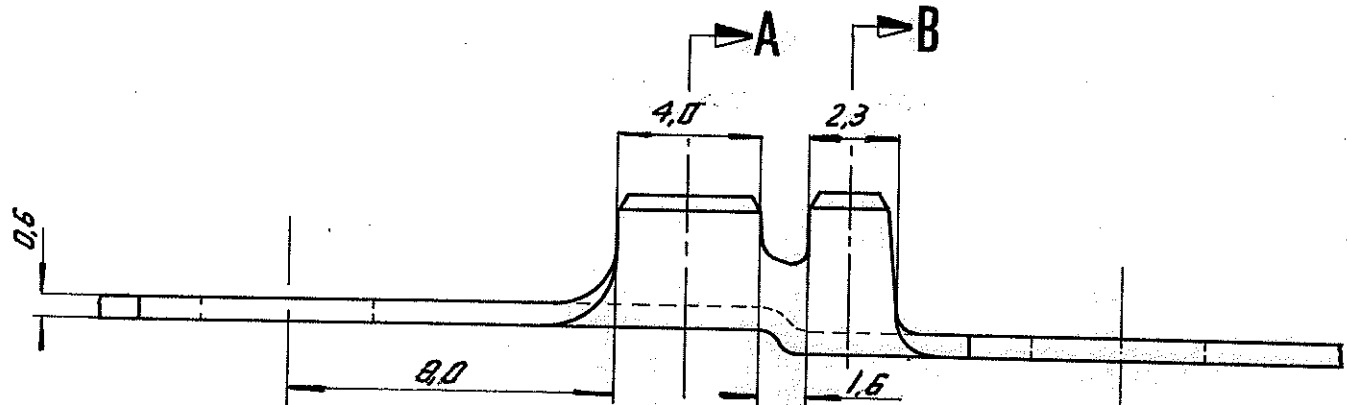
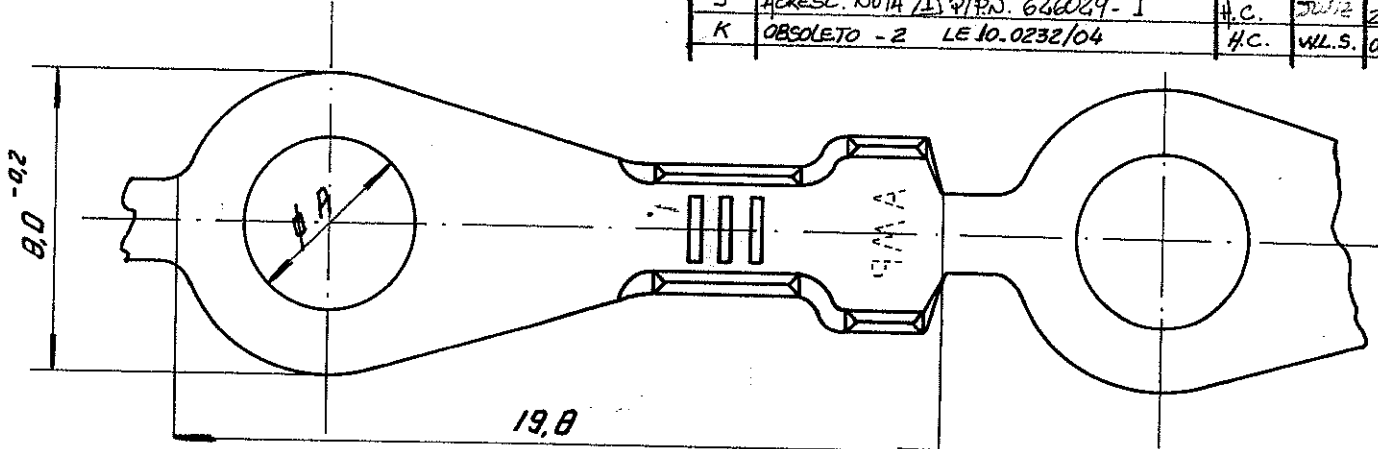


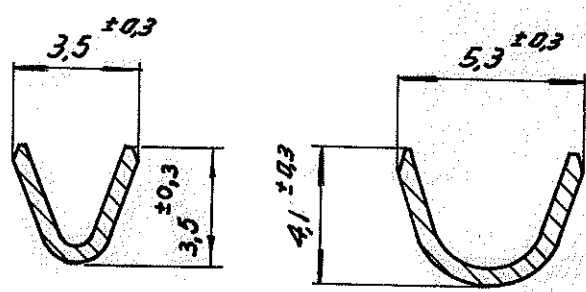
DRAWING MADE IN AMERICAN PROJECTION

LTR	REVISION RECORD	DR	CHK	DATE
H1	ADICIONADO TRACO 626027-3	Bvz	JRZ	7.5.92
J	ACRESC. NOTA $\Delta$ P/N. 626029-1	H.C.	JRZ	20/07/92
K	OBSOLETO - 2 LE 10.0232/04	H.C.	W.L.S.	03/09/04

NUMBER 626027



NOTAS:  
 $\Delta$  REBOBINAR INTERCALANDO C/PAPEL  $\textcircled{G}$



SECTION A-A SECTION B-B  
 TOLERÂNCIA GERAL =  $\pm 0,4$   $\textcircled{H}$

626027-3 $\textcircled{H}$	3,2	LATÃO	ESTANHADO
626029-6 $\textcircled{G}$	5,3	LATÃO	ESTANHADO
626028-4 $\textcircled{G}$	4,3	LATÃO	ESTANHADO
626028-3 $\textcircled{F}$	4,3	BR. FOSF.	— / —
626029-5	5,3	BR. FOSF.	ESTANHADO
626029-4	5,3	LATÃO	NIQUELADO
626029-3	5,3	BR. FOSF.	— / —
626029-2	5,3	LATÃO	ESTANHADO
626029-1 $\textcircled{J}$	5,3	LATÃO	— / —
626028-2	4,3	LATÃO	ESTANHADO
626028-1	4,3	LATÃO	— / —
<del>626027-2</del>	<del>3,2</del>	<del>LATÃO</del>	<del>ESTANHADO</del>
626027-1	3,2	LATÃO	— / —

**CUSTOMER COPY FOR REFERENCE ONLY**

©1974 BY AMP DO BRASIL. ALL RIGHTS RESERVED. A-MP PRODUCTS COVERED BY PATENTS AND/OR PATENTS PENDING.



AMP DO BRASIL  
S.A.

WIRE-RANGE 0,5 - 1,5	INSUL-RANGE 1,0 - 3,0 mm	FIRST USED — / —
-------------------------	-----------------------------	---------------------

ORDER NO. $\Delta$ $\textcircled{H}$ 07-11-74	MAT.	PLATING	SCALE 5:1	SIZE A	NO 626027/028/029	REV K
---	------	---------	--------------	-----------	----------------------	----------

NAME RING TONGUE

DIMENSIONS IN M.M. DO NOT SCALE PRINT