

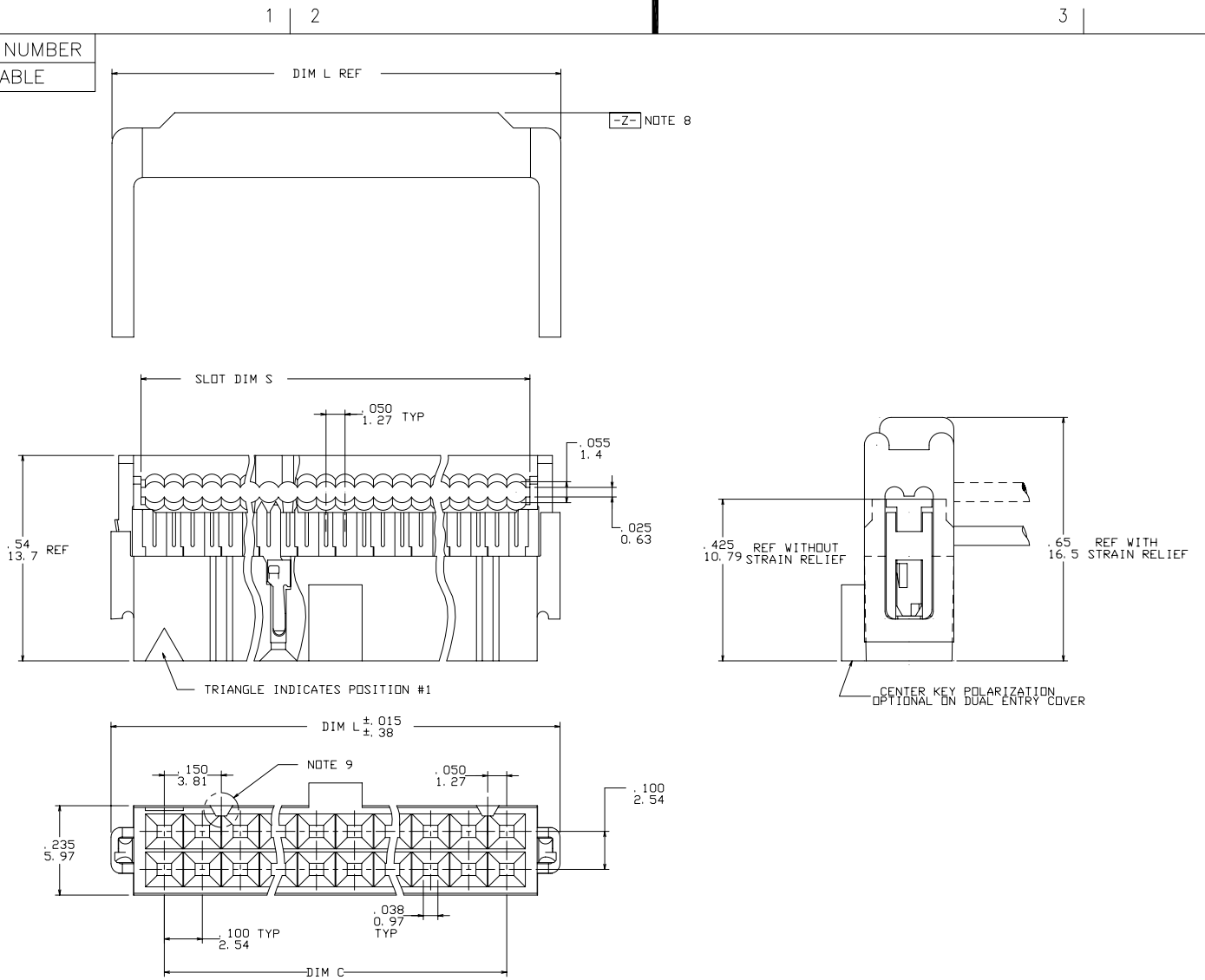
Tous droits strictement reserves. Reproduction ou communication a des tiers interdite sous quelque forme que ce soit sans autorisation ecrite du proprietaire. Propriete de c FCI. Droits de reproduction FCI.

All rights strictly reserved. Reproduction or issue to third parties in any form whatever is not permitted without written authority from the proprietor. Property of FCI. Copyright FCI.



PRODUCT NUMBER

SEE TABLE

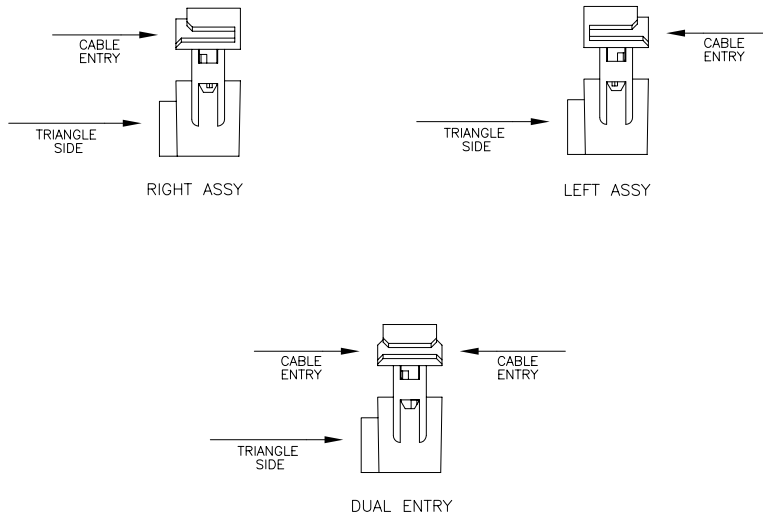


mat'l. code				tolerances unless otherwise specified				CUSTOMER COPY		 www.fciconnect.com	
ltr	ecn no	dr	date	linear	.XX ±.01/.X±.3			projection	title		
N	REDRAW	MRC	1/3/91		.XXX ±.005/.XX±.13				DUAL POLARIZED QUICKIE II ASSEMBLY		
P	V13269	JM	12/12/91		.XXXX ±.0020/.XXX±.051				product family QUICKIE code		
R	V22169	MSC	5/21/92	angles	0° ±2°			 INCH/MM	size		sheet
S	N05-0060	MHT	7/25/05	dr	M. CORNMAN	1/3/91	A		1 of 2		
				enr	M. SMYK	1/3/91	scale		66900		
				chr	M. SMYK	1/3/91	8:1		cage code		
				appd	M. SMYK	1/3/91			22526		
sheet index	revision sheet	S	S								
		1	2								

PRODUCT No. NOTE 12	SIZE	DIM L	DIM S	DIM C
66900-X10	2X5	.680/17.27	.520/13.21	.400/10.16
-X14	2X7	.880/22.35	.720/18.29	.600/15.24
-X16	2X8	.980/24.89	.820/20.83	.700/17.78
-X20	2X10	1.180/29.97	1.020/25.91	.900/22.86
-X24	2X12	1.380/35.05	1.220/30.99	1.100/27.94
-X26	2X13	1.480/37.59	1.320/33.53	1.200/30.48
-X30	2X15	1.680/42.67	1.520/38.61	1.400/35.56
-X34	2X17	1.880/47.75	1.720/43.69	1.600/40.64
-X40	2X20	2.180/55.37	2.020/51.31	1.900/48.26
-X44	2X22	2.380/60.45	2.220/56.39	2.100/53.34
-X50	2X25	2.680/68.07	2.520/64.01	2.400/60.96
66900-X60	2X30	3.180/80.77	3.020/76.71	2.900/73.66

DASH NO	COVER		POLARIZATION	STRAIN RELIEF
	STYLE	ORIENTATION		
-0XX	THRU	DUAL ENTRY	DUAL POL.	YES
-1XX	THRU	DUAL ENTRY	DUAL POL.	NO
-2XX	THRU	DUAL ENTRY	CENTER KEY & DUAL POL.	YES
-3XX	THRU	DUAL ENTRY	CENTER KEY & DUAL POL.	NO
-4XX	BLIND	RIGHT	DUAL POL.	YES
-5XX	BLIND	RIGHT	DUAL POL.	NO
-6XX	BLIND	LEFT	DUAL POL.	YES
-7XX	BLIND	LEFT	DUAL POL.	NO
-8XX	BLIND	RIGHT	CENTER KEY & DUAL POL.	YES
-9XX	BLIND	LEFT	CENTER KEY & DUAL POL.	YES

COVER ORIENTATION



NOTES:

1. TERMINAL MATERIAL: FULL HARD PHOS. BRONZE ALLOY, UNS-C51000.
2. TERMINAL PLATING: 50u"/27u MIN NI UNDERPLATE OVER ENTIRE TERMINAL AND 30u"/.76u MIN Au IN DISCONNECT AREA ONLY.
3. MOLDING MATERIAL: BASE & COVER- GLASS FILLED POLYESTER, FLAME RETARDANT PER UL94V-0, COLOR- BLUE.
4. CONNECTOR ASSEMBLIES PACKAGED IN TUBES.
5. THE FIRST TWO CAVITY POSITIONS AND THE LAST TWO, ARE IDENTIFIED BY NUMBER.
6. POLARIZING FEATURES ARE DESCRIBED IN TABLE.
7. MOLDING MATERIAL: STRAIN RELIEF- NYLON, FLAME RETARDANT PER UL94V-0, COLOR- BLUE.
- ⑧ STRAIN RELIEF DIM APPLIES WHEN DATUM -Z- IS HELD IN A RESTRAINED CONDITION.
- ⑨ THE POLARIZING FEATURE ON THIS END IS NON-EXISTANT ON 2?5 AND 2?7 POSITION CONNECTORS.
10. 2x5 POSITION NOT AVAILABLE WITH POLARIZATION SLOT ON CENTER KEY STYLE.
11. TO ORDER PARTS THAT DO NOT HAVE "MARKED INFO", (DATE, P/N, ETC), ADD A "U" AFTER THE PART NUMBER. EXAMPLE 66900-010 U.
12. ADD "LF" SUFFIX AT THE END OF PART NUMBER FOR LEAD FREE OPTION.
- ⑩ IF "LF" P/N THE PRODUCT MEETS EUROPEAN UNION DIRECTIVES AND OTHER COUNTRY REGULATION AS DESCRIBED IN GS-22-008.
14. THE PRODUCT IS NOT INTENDED TO BE EXPOSED TO A MANUFACTURING SOLDER PROCESS.

mat'l. code				tolerances unless otherwise specified		CUSTOMER COPY		 www.fciconnect.com			
ltr	ecn no	dr	date	linear	.xx ±.01/.x±.3	projection		title			
S					.xxx ±.005/.xx±.13			DUAL POLARIZED		code	
					.xxx ±.0020/.xxx±.051			QUICKIE II ASSEMBLY		-	
				angles	0° ±2°	 INCH/MM	 8:1	product family		code	
				dr	M. CORNMAN			1/3/91	QUICKIE		-
				engr	M. SMYK			1/3/91	size/ dwg no		
				chr	M. SMYK			1/3/91	A 66900		2 of
				appd	M. SMYK	1/3/91					
sheet index	revision sheet										