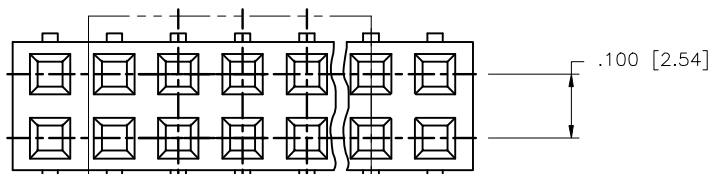
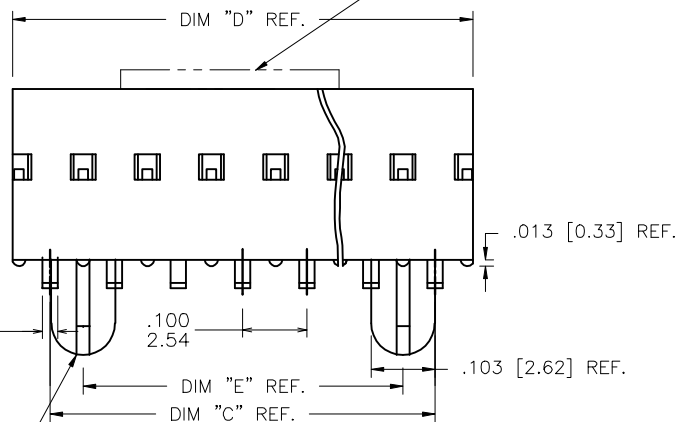


PRODUCT NO.
SEE TABLE

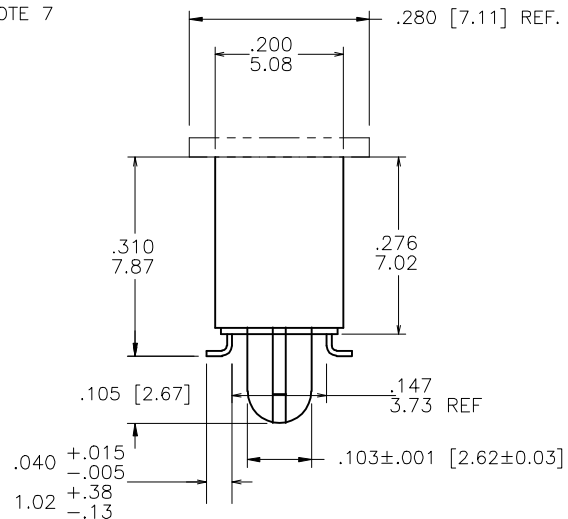
68622 - XXX 2 - LF
 LEAD FREE OPTION
 PACKAGING OPTION NOTE8. OMIT IF NOT REQUIRED.
 HOUSING WITH SMALL ROUND PEGS. OMIT IF NOT REQUIRED.
 SEE CONFIGURATION PAGE 3
 NO. OF POSITIONS PER ROW
 PLATING CODE
 BASE PART NUMBER



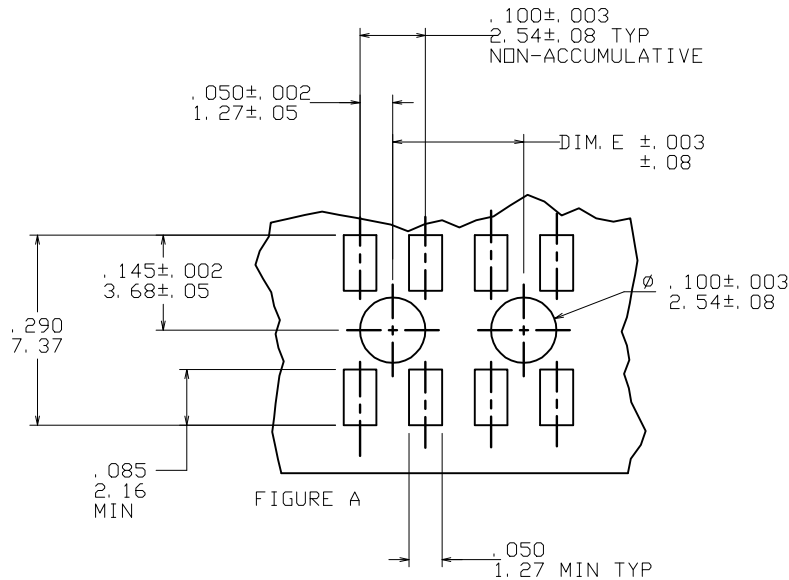
VACUUM CAP FOR TAPE & REEL PACKAGING OPTION. NOTE 7



SEE PEG OPTION



mat'l. code SEE NOTES 1,3 & 7				surface ISO 1302	tolerance ISO 406 ISO 1101	projection ISO 1101	product family DUBOX
ltr	ecn no	dr	date	tolerances unless otherwise specified		INCH/MM	title SMT DOUBLE ROW LATCHED VCC ASSEMBLY
P	V03-0309	HTB	4/28/03	angles	.XX±.01/XX±0.3		
R	V05-0463	DPU	06/28/05	linear	.XXX±.06/XX±0.13	scale 1:1	sheet 1 of 5 size 68622 A3
S	M06-0237	MN	06/19/06	0'±2'	.XXX±.0020/XXX±0.051		type Product Customer Drawing
T	M06-0433	AGS	10/31/06	dr	J. SHREINER	12/18/90	
U	M07-0203	AGS	05/02/07	engr	M. HAHN	12/18/90	
V	M09-0032	MHT	02/25/09	chr	M. HAHN	12/18/90	
W	M09-0057	MHT	3/25/09	appd	M. HAHN	12/18/90	
sheet	revision	W	W	W	W	W	
index	sheet	1	2	3	4	5	



STANDARD PCB RECOMMENDED

NOTES:

- ① MATERIAL TERMINAL: PHOSPHOR BRONZE, EXTRA HARD.
2. RECOMMENDED APPLICATION DATA:
 - A. RECOMMENDED SOLDER PAD PATTERN IS SHOWN IN FIGURE A.
 - B. ALL MATING PINS TO BE .025/.64 SQUARE ON TRUE CENTER OF GIVEN TERMINAL SPACING WITHIN .015/.38 DIA.
 - C. SUGGESTED MATING PIN LENGTH .210 ±.020/5.33 ±.51.
- ③ MATERIAL HOUSING: G.F. POLYESTER, COLOR: BLACK FLAME RETARDANT PER UL 94 -V0
 THIS PART WILL WITHSTAND EXPOSURES TO 260°C PEAK TEMPERATURE FOR 20 SECONDS IN WAVE SOLDER, INFRA-RED OR VAPOR PHASE SOLDER PROCESS.
4. PRESTAMPED POST PLATED TERMINALS.
5. TAPE AND REEL PACKAGING PER GES-14-334.

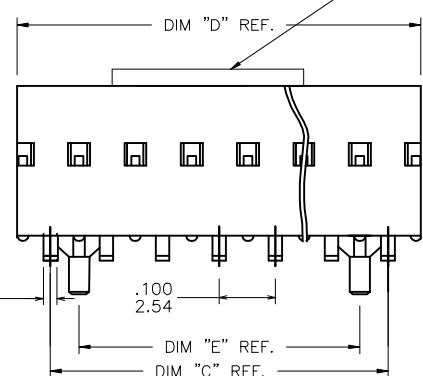
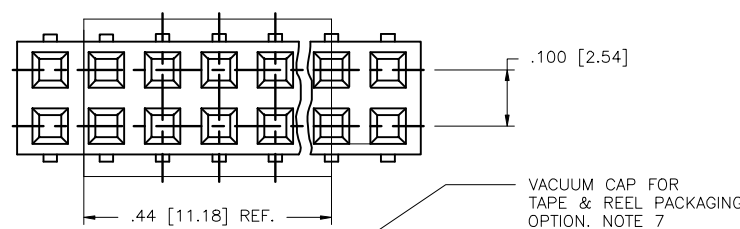
6. TAPE AND REEL PACKAGING FOR 24mm WIDE AND BELOW HAVE PILOT HOLES ON ONE SIDE OF TAPE ONLY. SIZES ABOVE 24mm HAVE PILOT HOLES ON BOTH SIDES OF TAPE.
- ⑦ VACUUM PICK-UP CAP MATERIAL: L.C.P. FLAME RETARDANT PER UL 94V-0.
 COLOR: BLACK
8. ADD SUFFIX "P" TO PART DASH NUMBER FOR TAPE AND REEL PACKAGING.
 EXAMPLE: 68622-XXXX
9. MAXIMUM LENGTH OF CONNECTOR FOR TAPE AND REEL PACKAGING IS 2.50 INCHES LONG/63.5 MM.
10. TAPE & REEL PACKAGING 72mm WIDE TAPE WITH 16mm POCKET PITCH.
- ⑪ TAPE & REEL PACKAGING 88mm WIDE TAPE WITH 12mm POCKET PITCH.
12. FCI, FCI FINAL PART NUMBER AND DATE CODE TO BE MARKED ON TUBE LABEL.
- ⑬ ADD LF SUFFIX AT THE END OF PART NUMBER FOR LEAD FREE OPTION.
14. THIS PRODUCT MEETS EUROPEAN UNION DIRECTIVES AND OTHER COUNTRY REGULATION AS DESCRIBED IN GS-22-008.
- ⑮ PLATING OPTIONS:
 MAY BE EITHER GOLD OR GXT PLATED AT MANUFACTURER'S OPTION.

- mal't. code SEE NOTES 1,3 & 7
- ltr ecn no dr date
- w
- angles linear
- 0'±2'
- dr J. SHREINER 12/18/90
- engr M. HAHN 12/18/90
- chr M. HAHN 12/18/90
- appd M. HAHN 12/18/90
- sheet revision
- index sheet

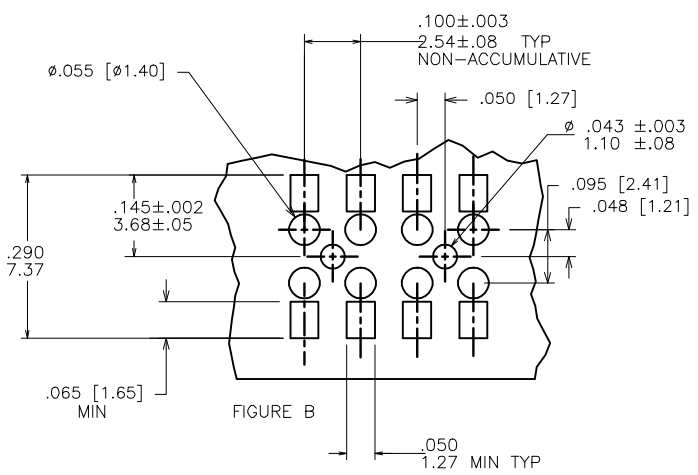
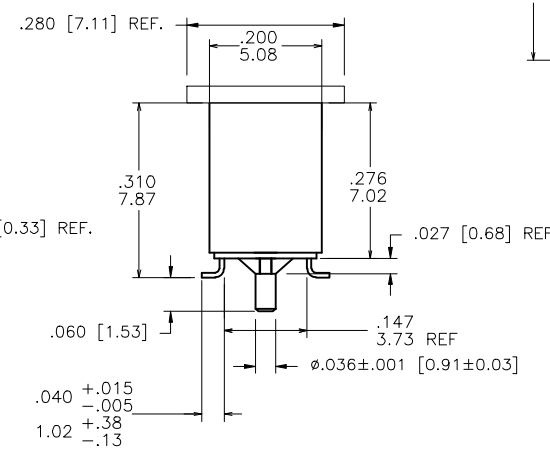
mal't. code	SEE NOTES 1,3 & 7	surface	ISO 1302	tolerance	ISO 406 ISO 1101	projection	product family	DUBOX
ltr	ecn no	dr	date	tolerances unless otherwise specified		 INCH/MM	title	SMT DOUBLE ROW LATCHED VCC ASSEMBLY
w				angles	linear		scale	1:1
					linear		dwg no	68622
					linear		sheet	2 of 5
					linear		size	A3
					linear		type	Product Customer Drawing
sheet	revision							
index	sheet							

PRODUCT NO NOTE 13	PLATING CONTACT AREA	PLATING SOLDER TAIL	MATERIAL REF.
68622-2XX	15u"/.38u Au MIN OVER 50u"/1.27u Ni MIN SEE NOTE 15	100u"/160u" Sn 2.54u/4.06u	NOTE 3 & 4
68622-3XX	30u"/.76u Au MIN OVER 50u"/1.27u Ni MIN SEE NOTE 15	100u"/160u" Sn 2.54u/4.06u	NOTE 3 & 4
68622-6XX	30u"/.76u Au MIN OVER 50u"/1.27u Ni MIN SEE NOTE 15	100u"/160u" Sn 2.54u/4.06u	NOTE 3 & 4

NOTE 13
NOTE 13
NOTE 13



SMALL ROUND PEGS



SMALL ROUND PEGS
PCB RECOMMENDED

mat'l. code SEE NOTES 1,3 & 7		surface ISO 1302	tolerance ISO 406 ISO 1101	projection INCH/MM	product family DUBOX
ltr	ecn no	dr	date	tolerances unless otherwise specified	title
w				angles linear 0°±2'	SMT DOUBLE ROW LATCHED VCC ASSEMBLY
				linear XXX±.01/XX±0.3 XXX±.005/XX±0.13 XXX±.0020/XX±0.051	scale 1:1
dr	J. SHREINER	12/18/90			sheet 3 of 5 size
engr	M. HAHN	12/18/90			68622
chr	M. HAHN	12/18/90			A3
appd	M. HAHN	12/18/90			type Product Customer Drawing
sheet index	revision sheet				



Copyright FCI

form A3

PRODUCT NO. NOTE 13	NO. OF POSITION	C DIM	D DIM	E DIM	TAPE & REEL PACKAGING	LF OPTIONS
68622-Y04	2 X 4	. 300/7. 62	. 417/10. 59	. 200/ 5. 08	NO	NOTE 13
-Y05	2 X 5	. 400/10. 16	. 517/13. 13	. 300/ 7. 62	NO	
-Y06	2 X 6	. 500/12. 70	. 617/15. 67	. 400/10. 16	NO	
-Y07	2 X 7	. 600/15. 24	. 717/18. 21	. 500/12. 70	NO	
-Y08	2 X 8	. 700/17. 78	. 817/20. 75	. 600/15. 24	NO	
-Y09	2 X 9	. 800/20. 32	. 917/23. 29	. 700/17. 78	NO	
-Y10	2 X 10	. 900/22. 86	1. 017/25. 83	. 800/20. 32	NO	
-Y11	2 X 11	1. 000/25. 40	1. 117/28. 37	. 900/22. 86	NO	
-Y12	2 X 12	1. 100/27. 94	1. 217/30. 91	1. 000/25. 40	NO	
-Y13	2 X 13	1. 200/30. 48	1. 317/33. 45	1. 100/27. 94	NO	
-Y14	2 X 14	1. 300/33. 02	1. 417/35. 99	1. 200/30. 48	NO	
-Y15	2 X 15	1. 400/35. 56	1. 517/38. 53	1. 300/33. 02	NO	
-Y16	2 X 16	1. 500/38. 10	1. 617/41. 07	1. 400/35. 56	NO	
-Y17	2 X 17	1. 600/40. 64	1. 717/43. 61	1. 500/38. 10	NO	
-Y18	2 X 18	1. 700/43. 18	1. 817/46. 15	1. 600/40. 64	NO	
-Y19	2 X 19	1. 800/45. 72	1. 917/48. 69	1. 700/43. 18	NO	
-Y20	2 X 20	1. 900/48. 26	2. 017/51. 23	1. 800/45. 72	NO	
-Y21	2 X 21	2. 000/50. 80	2. 117/53. 77	1. 900/48. 26	NO	
-Y22	2 X 22	2. 100/53. 34	2. 217/56. 31	2. 000/50. 80	NO	
-Y23	2 X 23	2. 200/55. 88	2. 317/58. 85	2. 100/53. 34	NO	
-Y24	2 X 24	2. 300/58. 42	2. 417/61. 39	2. 200/55. 88	NO	
68622-Y25	2 X 25	2. 400/60. 96	2. 517/63. 93	2. 300/58. 42	NO	

NOTE 13



FCconnect.com

Copyright FCJ

mat'l. code SEE NOTES 1,3 & 7		surface ISO 1302	tolerance ISO 406 ISO 1101	projection 	product family DUBOX
ltr	ecn no	dr	date	tolerances unless otherwise specified	title SMT DOUBLE ROW LATCHED VCC ASSEMBLY
w				angles linear XX±.01/XX±0.3 XXX±.006/XXX±0.13 0'±.2'	INCH/MM scale 1:1
		dr	J. SHREINER	12/18/90	dwg no 68622
		engr	M. HAHN	12/18/90	sheet 4 of 5 size A3
		chr	M. HAHN	12/18/90	type Product Customer Drawing
		appd	M. HAHN	12/18/90	
sheet index	revision sheet				

form A3

PRODUCT NO. NOTE 13	NO. OF POSITION	C DIM	D DIM	E DIM	TAPE & REEL PACKAGING	LF OPTIONS
68622-Y26	2 X 26	2.500/63.50	2.617/66.47	2.400/60.96	NO	NOTE 13
-Y27	2 X 27	2.600/66.04	2.717/69.01	2.500/63.50	NO	
-Y28	2 X 28	2.700/68.58	2.817/71.55	2.600/66.04	NO	
-Y29	2 X 29	2.800/71.12	2.917/74.09	2.700/68.58	NO	
-Y30	2 X 30	2.900/73.66	3.017/76.63	2.800/71.12	NO	
-Y31	2 X 31	3.000/76.20	3.117/79.17	2.900/73.66	NO	
-Y32	2 X 32	3.100/78.74	3.217/81.71	3.000/76.20	NO	
-Y33	2 X 33	3.200/81.28	3.317/84.25	3.100/78.74	NO	
-Y34	2 X 34	3.300/83.82	3.417/86.79	3.200/81.28	NO	
-Y35	2 X 35	3.400/86.36	3.517/89.33	3.300/83.82	NO	
-Y36	2 X 36	3.500/88.90	3.617/91.87	3.400/86.36	NO	
-Y37	2 X 37	3.600/91.44	3.717/94.41	3.500/88.90	NO	
-Y38	2 X 38	3.700/93.98	3.817/96.95	3.600/91.44	NO	
-Y39	2 X 39	3.800/96.52	3.917/99.49	3.700/93.98	NO	
-Y40	2 X 40	3.900/99.06	4.017/102.03	3.800/96.52	NO	
-Y41	2 X 41	4.000/101.60	4.117/104.57	3.900/99.06	NO	
-Y42	2 X 42	4.100/104.14	4.217/107.11	4.000/101.60	NO	
-Y43	2 X 43	4.200/106.68	4.317/109.65	4.100/104.14	NO	
-Y44	2 X 44	4.300/109.22	4.417/112.19	4.200/106.68	NO	
-Y45	2 X 45	4.400/111.76	4.517/114.73	4.300/109.22	NO	
-Y46	2 X 46	4.500/114.30	4.617/117.27	4.400/111.76	NO	
-Y47	2 X 47	4.600/116.84	4.717/119.81	4.500/114.30	NO	
-Y48	2 X 48	4.700/119.38	4.817/122.35	4.600/116.84	NO	
-Y49	2 X 49	4.800/121.92	4.917/124.89	4.700/119.38	NO	
68622-Y50	2 X 50	4.900/124.46	5.017/127.43	4.800/121.92	NO	
68622-Y25P	2 X 25	2.400/60.96	2.517/63.93	2.300/58.42	YES	

NOTES 7&11



FCJconnect.com

Copyright FCJ

mat'l. code SEE NOTES 1,3 & 7		surface ISO 1302	tolerance ISO 406 ISO 1101	projection 	product family DUBOX
ltr	ecn no	dr	date	tolerances unless otherwise specified	title SMT DOUBLE ROW LATCHED VCC ASSEMBLY
w				angles linear XXX±.01/XX±0.3 XXX±.006/XX±0.13 0'±2'	INCH/MM scale 1:1
				dr J. SHREINER 12/18/90	dwg no 68622
				engr M. HAHN 12/18/90	sheet 5 of 5 size A3
				chr M. HAHN 12/18/90	type Product Customer Drawing
				appd M. HAHN 12/18/90	
sheet index	revision sheet				

form A3