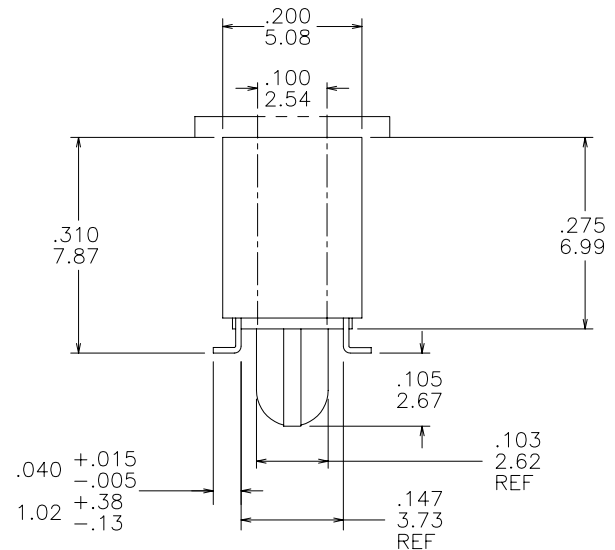
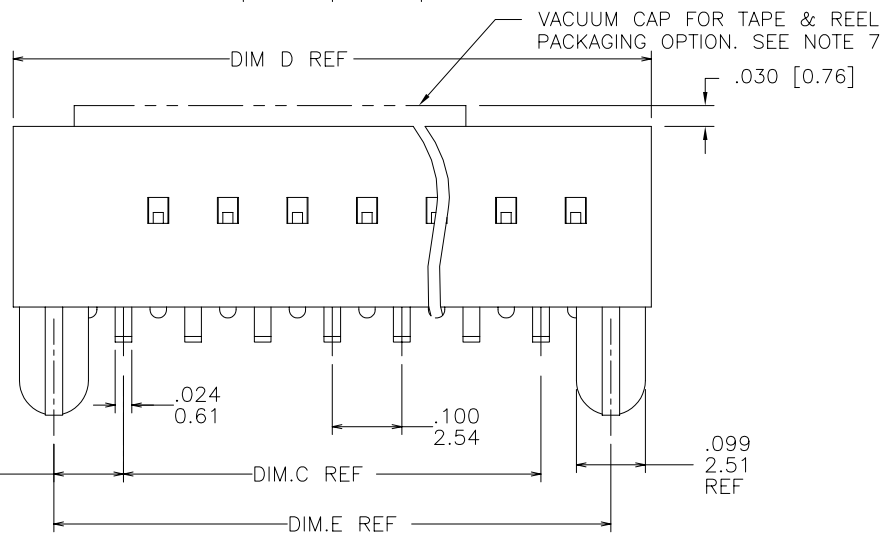
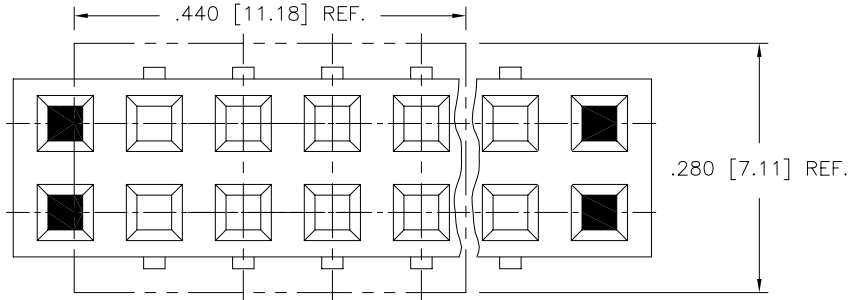


PRODUCT NO.

SEE TABLE

69154 - XXX - LF

- LEAD FREE OPTION
- PACKAGING OPTION NOTE 10, OMIT IF NOT REQUIRED.
- NO. OF POSITIONS PER ROW
- PLATING CODE
- BASE PART NUMBER



Copyright FCI

mat'l. code		surface		tolerance		projection		product family	
NOTES 1,3,10 & 14		ISO 1302 ✓		ISO 406 ISO 1101		INCH/MM		DUBOX	
ltr	ecp	no	dr	date		tolerances unless otherwise specified		title	
M	V20155	GIP	02/04/02	10/15/05		.XX±.01/.X±.3		SMT DOUBLE ROW	
N	V21654	GIP	10/15/05	0±2°		.XXX±.0.005/.XX±.13		VCC ASSEMBLY	
P	V03-0310	HTB	05/02/03	J. SHREINER		.000XX±.0020/.XXX±.051		scale 1:1	
R	V03-1246	PJ	12/04/03	12/31/90		FCI		sheet 1 of 6 size	
S	V05-0463	DPU	06/27/05	enr		M. HAHN		69154 A3	
T	M07-0143	ERE	03/03/07	chr		M. HAHN		type Product Customer Drawing	
U	M07-0203	AGS	05/02/07	appd		M. HAHN		12/31/90	
sheet	revision	U	U	U	U	U	U		
index	sheet	1	2	3	4	5	6		

PRODUCT NUMBER
SEE TABLE

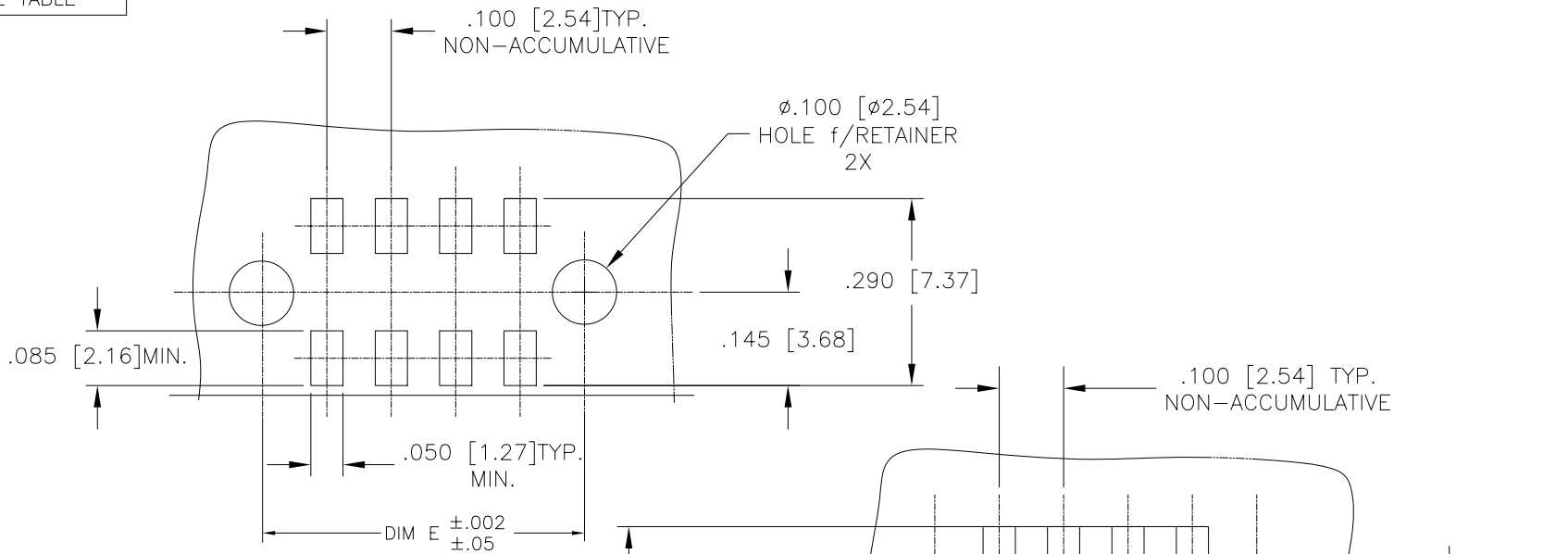


FIGURE A
TOP ENTRY
.025/.64 SQUARE PIN

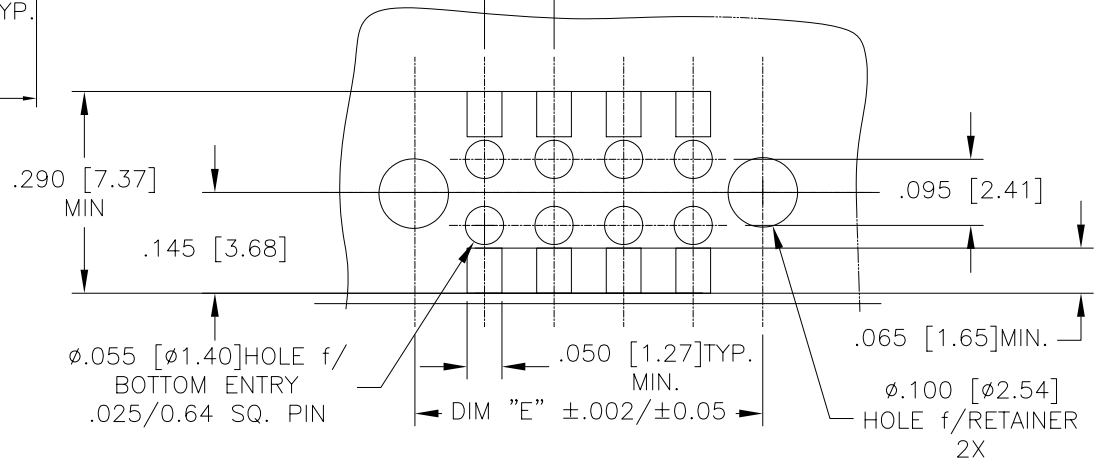


FIGURE B
BOTTOM ENTRY (THROUGH PWB)
.025/.64 SQUARE PIN

mat'l. code		surface ISO 1302 ✓		tolerance ISO 406 ISO 1101		projection FIRST ANGLE		product family DUBOX	
ltr	ecn	no	dr	date		tolerances unless otherwise specified		title	
U						angles	linear	SMT DOUBLE ROW VCC ASSEMBLY	
						0°±2'	XXX±.01/XX±.3 XXX±.005/XX±.13 XXXX±.0020/XXX±.051	INCH/MM	
								scale 1:1	
				dr		J. SHREINER 12/31/90		dwg no	
				enr		M. HAHN 12/31/90		sheet 2 of 6	
				chr		M. HAHN 12/31/90		size	
				appd		M. HAHN 12/31/90		A3	
sheet index		revision sheet						type Product Customer Drawing	



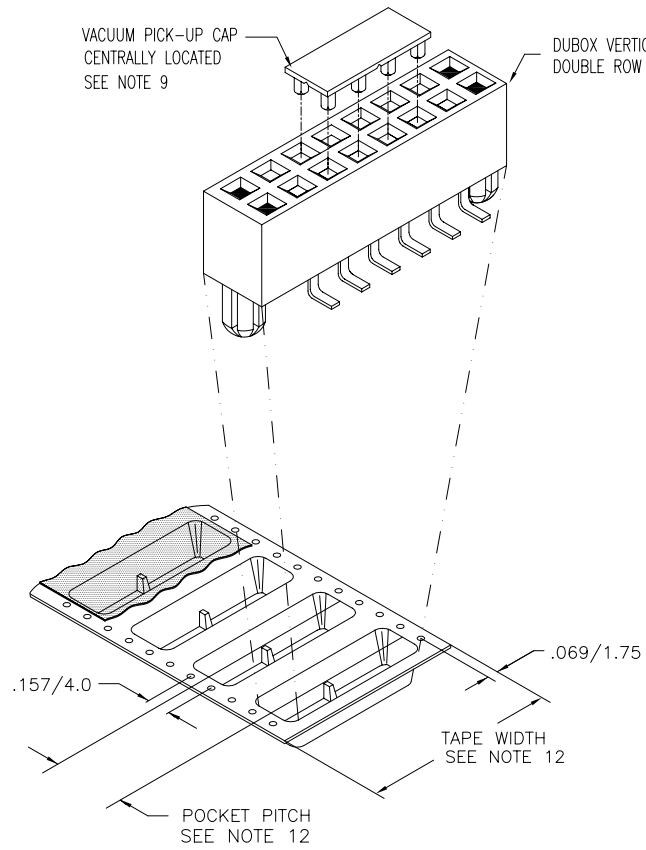
Copyright FCI

PRODUCT NO.

SEE TABLE

VACUUM PICK-UP CAP
CENTRALLY LOCATED
SEE NOTE 9

DUBOX VERTICAL RECEPTACLE
DOUBLE ROW



TAPE AND REEL PACKAGING ONLY



FCIconnect.com

Copyright FCI

mat'l. code		surface ISO 1302 ✓		tolerance ISO 406 ISO 1101		projection 		product family DUBOX	
ltr	ecn no	dr	date	tolerances unless otherwise specified		INCH/MM		title	
U				angles	.XX±.01/.X±.3	linear		SMT DOUBLE ROW VCC ASSEMBLY	
				0°±2°	.XXX±.0.005/.XX±.13	scale 1:1		dwg no	
					.XXXX±.0020/.XXX±.051			sheet 3 of 6 size	
				dr	J. SHREINER	12/31/90		69154 A3	
				enr	M. HAHN	12/31/90		type	
				chr	M. HAHN	12/31/90		Product Customer Drawing	
				appd	M. HAHN	12/31/90			
sheet index	revision sheet								

form: A3

1

2

3

4

5

6

PRODUCT NO NOTE 13	PLATING CONTACT AREA	PLATING SOLDER TAIL	MATERIAL REF	
69154-2XX	15u"/.38u Au MIN OVER 50u"/1.27u Ni MIN SEE NOTE 16	100u"/160u" 2.54u/4.06u SN	NOTE 3 & 4	
69154-3XX	30u"/.76u Au MIN OVER 50u"/1.27u Ni MIN SEE NOTE 16	100u"/160u" 2.54u/4.06u SN	NOTE 3 & 4	
69154-6XX	30u"/.76u Au MIN OVER 50u"/1.27u Ni MIN SEE NOTE 16	100u"/160u" 2.54u/4.06u SN	NOTE 3 & 4	
69154-8XX	30u"/.76u Au MIN OVER 50u"/1.27u Ni MIN	100u"/160u" 2.54u/4.06u SN	NOTE 3 & 4	OBSOLETE

NOTES:

- ① MATERIAL TERMINAL: PHOSPHOR BRONZE,
2. RECOMMENDED APPLICATION DATA:
 - A. RECOMMENDED SOLDER PAD PATTERN IS SHOWN IN FIGURE A & B.
 - B. ALL MATING PINS TO BE .025/.64. SQUARE ON TRUE CENTER OF GIVEN TERMINAL SPACING WITHIN .015/.38. DIA.
 - C. SUGGESTED MATING PIN LENGTH .210 ±.020/5.33 ±.51.
- ③ MATERIAL HOUSING: P.P.S. FILLED,COLOR BLACK
FLAME RETARDANT PER UL 94V-0.
COMPATIBLE WITH INFRA-RED SOLDERING.
THIS PART WILL WITHSTAND EXPOSURES TO 260°C
PEAK TEMPERATURE FOR 20 SECONDS IN WAVE SOLDER,
INFRA-RED OR VAPOR PHASE SOLDER PROCESS.
- ④ PRESTAMPED POST PLATED TERMINALS.
5. FCI, FCI FINAL PART NUMBER AND DATE CODE TO BE MARKED ON TUBE LABEL.
6. STANDARD PACKAGING PER BUS-14-097.
7. TAPE AND REEL PACKAGING PER GES-14-334.
8. CARRIER TAPE WIDTH 24 MIN. & BELOW TO HAVE PILOT HOLES ON ONE SIDE OF TAPE ONLY.
SIZES ABOVE 24mm TO HAVE PILOT HOLES ON BOTH SIDES OF TAPE.
- ⑨ VACUUM CAP MATERIAL FOR TAPE & REEL PACKAGING:
L.C.P., FLAME RETARDANT PER UL 94V-0.
COLOR: BLACK
- ⑩ ADD SUFFIX "P" TO PART DASH NUMBER FOR TAPE AND REEL PACKAGING.
EXAMPLE: 69154-XXXP
11. MAXIMUM LENGTH OF CONNECTOR FOR TAPE AND REEL PACKAGING IS 2.50 INCHES LONG/63.5 MM.
- ⑫ TAPE & REEL PACKAGING 72mm WIDE TAPE WITH 16mm POCKET PITCH.
- ⑬ ADD LF SUFFIX AT THE END OF PART NUMBER FOR LEAD FREE OPTION.
14. THESE PRODUCTS MEETS EUROPEAN UNION DIRECTIVES AND OTHER COUNTRY REGULATION AS DESCRIBED IN GS-22-008.
- ⑮ "THIS PRODUCT HAS 100% TIN PLATING IN THE INTERFACE AND HAS NOT BEEN TESTED FOR WHISKER GROWTH IN ALL INTERCONNECT ENVIRONMENTS."
- ⑯ PLATING OPTIONS:
MAY BE EITHER GOLD OR GXT PLATED AT MANUFACTURER'S OPTION.

FCIconnect.com



Copyright FCI

mat'l. code		surface ISO 1302 ✓	tolerance ISO 406 ISO 1101	projection 	product family DUBOX	
ltr	ecn no	dr	date	tolerances unless otherwise specified		title
U				angles	linear	SMT DOUBLE ROW VCC ASSEMBLY
				0°±2'	linear	
				dr	J. SHREINER	12/31/90
				enr	M. HAHN	12/31/90
				chr	M. HAHN	12/31/90
				appd	M. HAHN	12/31/90
sheet	revision					
index	sheet					

PRODUCT NO	NO OF POS	DIM C	DIM D	DIM E	TAPE & REEL PACKAGING	LF OPTION
69154-Y02	2 X 2	.100/2.54	.417/10.59	.300/7.62	NO	NOTE 13
69154-Y03	2 X 3	.200/5.08	.517/13.13	.400/10.16	NO	
69154-Y04	2 X 4	.300/7.62	.617/15.67	.500/12.70	NO	
69154-Y05	2 X 5	.400/10.16	.717/18.21	.600/15.24	NO	
69154-Y06	2 X 6	.500/12.70	.817/20.75	.700/17.78	NO	
69154-Y07	2 X 7	.600/15.24	.917/23.29	.800/20.32	NO	
69154-Y08	2 X 8	.700/17.78	1.017/25.83	.900/22.86	NO	
69154-Y09	2 X 9	.800/20.32	1.117/28.37	1.000/25.40	NO	
69154-Y10	2 X 10	.900/22.86	1.217/30.91	1.100/27.94	NO	
69154-Y11	2 X 11	1.000/25.40	1.317/33.45	1.200/30.48	NO	
69154-Y12	2 X 12	1.100/27.94	1.417/35.99	1.300/33.02	NO	
69154-Y13	2 X 13	1.200/30.48	1.517/38.53	1.400/35.56	NO	
69154-Y14	2 X 14	1.300/33.02	1.617/41.07	1.500/38.10	NO	
69154-Y15	2 X 15	1.400/35.56	1.717/43.61	1.600/40.64	NO	
69154-Y16	2 X 16	1.500/38.10	1.817/46.15	1.700/43.18	NO	
69154-Y17	2 X 17	1.600/40.64	1.917/48.69	1.800/45.72	NO	
69154-Y18	2 X 18	1.700/43.18	2.017/51.23	1.900/48.26	NO	
69154-Y19	2 X 19	1.800/45.72	2.117/53.77	2.000/50.80	NO	
69154-Y20	2 X 20	1.900/48.26	2.217/56.31	2.100/53.34	NO	
69154-Y21	2 X 21	2.000/50.80	2.317/58.85	2.200/55.08	NO	
69154-Y22	2 X 22	2.100/53.34	2.417/61.39	2.300/58.42	NO	
69154-Y23	2 X 23	2.200/55.88	2.517/63.93	2.400/60.96	NO	
69154-Y24	2 X 24	2.300/58.42	2.617/66.47	2.500/63.50	NO	
69154-Y25	2 X 25	2.400/60.96	2.717/69.01	2.000/66.04	NO	



FCIconnect.com

Copyright FCJ

mat'l. code		surface ISO 1302 ✓		tolerance ISO 406 ISO 1101		projection 		product family DUBOX	
ltr	ecn	no	dr	date		tolerances unless otherwise specified		title	
U						angles	linear	INCH/MM	
						0°±2'		scale 1:1	
						dr	J. SHREINER	12/31/90	
						enr	M. HAHN	12/31/90	
						chr	M. HAHN	12/31/90	
						appd	M. HAHN	12/31/90	
sheet index	revision sheet								dwg no 69154 sheet 5 of 6 size A3 type Product Customer Drawing

form: A3

PRODUCT NO	NO OF POS	DIM C	DIM D	DIM E	TAPE & REEL PACKAGING	LF OPTION
69154-Y26	2 X 26	2.500/63.50	2.817/71.55	2.700/68.58	NO	NOTE 13
69154-Y27	2 X 27	2.600/66.04	2.917/74.09	2.800/71.12	NO	
69154-Y28	2 X 28	2.700/68.58	3.017/76.63	2.900/73.66	NO	
69154-Y29	2 X 29	2.800/71.12	3.117/79.17	3.000/76.20	NO	
69154-Y30	2 X 30	2.900/73.66	3.217/81.71	3.100/78.74	NO	
69154-Y31	2 X 31	3.000/76.20	3.317/84.25	3.200/81.28	NO	
69154-Y32	2 X 32	3.100/78.74	3.417/86.79	3.300/83.32	NO	
69154-Y33	2 X 33	3.200/81.28	3.517/89.33	3.400/86.36	NO	
69154-Y34	2 X 34	3.300/83.32	3.617/91.87	3.500/88.90	NO	
69154-Y35	2 X 35	3.400/86.36	3.717/94.41	3.600/91.44	NO	
69154-Y36	2 X 36	3.500/88.90	3.817/96.95	3.700/93.98	NO	
69154-Y37	2 X 37	3.600/91.44	3.917/99.49	3.800/96.52	NO	
69154-Y38	2 X 38	3.700/93.98	4.017/102.03	3.900/99.06	NO	
69154-Y39	2 X 39	3.800/96.52	4.117/104.57	4.000/101.60	NO	
69154-Y40	2 X 40	3.900/99.06	4.217/107.11	4.100/104.14	NO	
69154-Y41	2 X 41	4.000/101.60	4.317/109.65	4.200/106.68	NO	
69154-Y42	2 X 42	4.100/104.14	4.417/112.19	4.300/109.22	NO	
69154-Y43	2 X 43	4.200/106.68	4.517/114.73	4.400/111.76	NO	
69154-Y44	2 X 44	4.300/109.22	4.617/117.27	4.500/114.30	NO	
69154-Y45	2 X 45	4.400/111.76	4.717/119.81	4.600/116.84	NO	
69154-Y46	2 X 46	4.500/114.30	4.817/122.35	4.700/119.38	NO	
69154-Y47	2 X 47	4.600/116.84	4.917/124.89	4.800/121.92	NO	
69154-Y48	2 X 48	4.700/119.38	5.017/127.43	4.900/124.46	NO	
69154-Y49	2 X 49	4.800/121.92	5.117/129.97	5.000/127.00	NO	
69154-Y50	2 X 50	4.900/124.46	5.217/132.51	5.100/129.54	NO	
69154-Y16P	2 X 16	1.500/38.10	1.817/46.15	1.700/43.18	YES - NOTE 10 & 12	



FCIconnect.com

Copyright FCI

mat'l. code		surface ISO 1302 ✓		tolerance ISO 406 ISO 1101		projection 		product family DUBOX	
ltr	ecn	no	dr	date		tolerances unless otherwise specified		title	
U						angles	linear	SMT DOUBLE ROW VCC ASSEMBLY	
						0°±2'		INCH/MM	
								scale 1:1	
				dr	J. SHREINER	12/31/90		dwg no	
				enr	M. HAHN	12/31/90		sheet 6 of 6	
				chr	M. HAHN	12/31/90		size	
				appd	M. HAHN	12/31/90		A3	
sheet index		revision sheet						type Product Customer Drawing	

form: A3