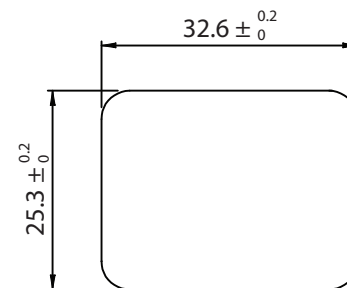
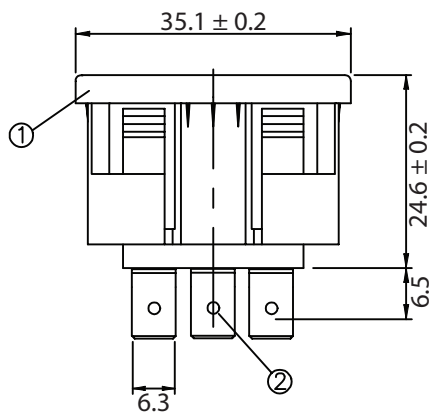
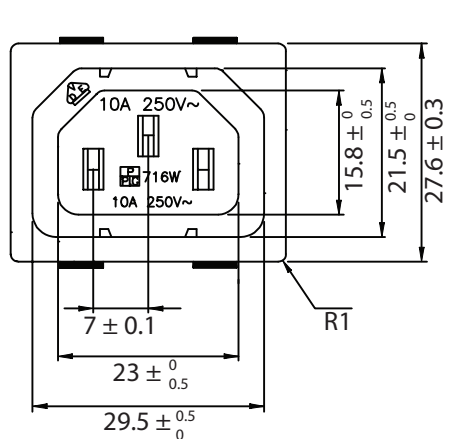
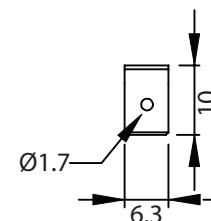
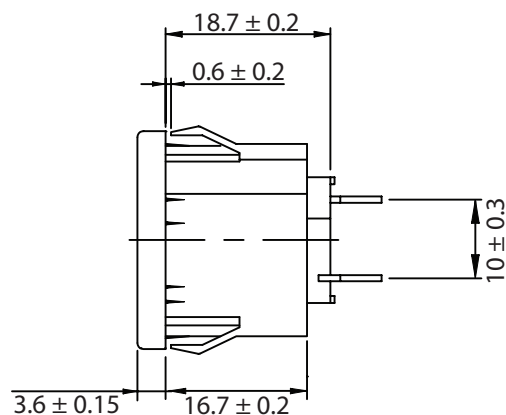
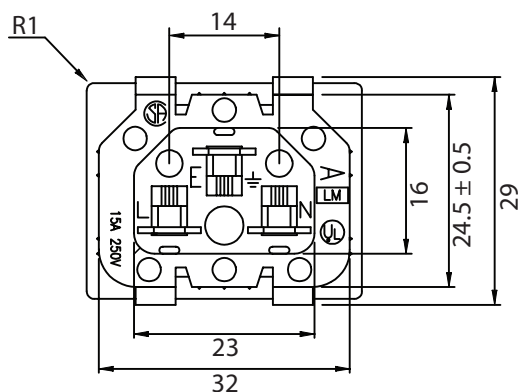


THESE DRAWINGS ARE THE PROPERTY OF QUALTEK ELECTRONICS AND NOT TO BE REPRODUCED FOR OR COMMUNICATED TO A THIRD PARTY WITHOUT THE EXPRESS WRITTEN PERMISSION OF AN OFFICER OF QUALTEK ELECTRONICS.

REVISION			
REV.	DESCRIPTION	DATE	APPROVED
B	RoHS Compliancy	06-01-06	DP



PANEL CUTOUT



CONTROLLED

NOTES:

MATERIAL:

HOUSING: THERMOPLASTIC
TERMINAL: COPPER ALLOY

RATING:

UL, CSA: 15A 250V AC
VDE: 10A 250V AC

INSULATION RESISTANCE: OVER 100M OHM 500V DC

DIELECTRIC STRENGTH: 2000V AC ONE MINUTE

APPROVALS: UL, CSA, VDE

PANEL THICKNESS: 0.8~1.5mm

RoHS COMPLIANT

2	Contact PIN Bronze Strip t=2mm Ni-Plated	3
1	Body Insulator NYLON Black Color	1
Dim range (mm)		Tolerance +/- (mm)
0-1		0.15
1-6		0.20
6-18		0.30
18-50		0.50
50-120		0.70
120-250		0.90
250-500		1.20
Qualtek Electronics Corp. PPC DIVISION		
Part Number: 716W-X2/03		RoHS Compliant
Description: AC RECEPTACLE		
UNIT: mm		REV. B
Drawn / Date	Checked / Date	Approved / Date
B.ZHANG 03-10-04	03-10-04	JJH / 03-10-04