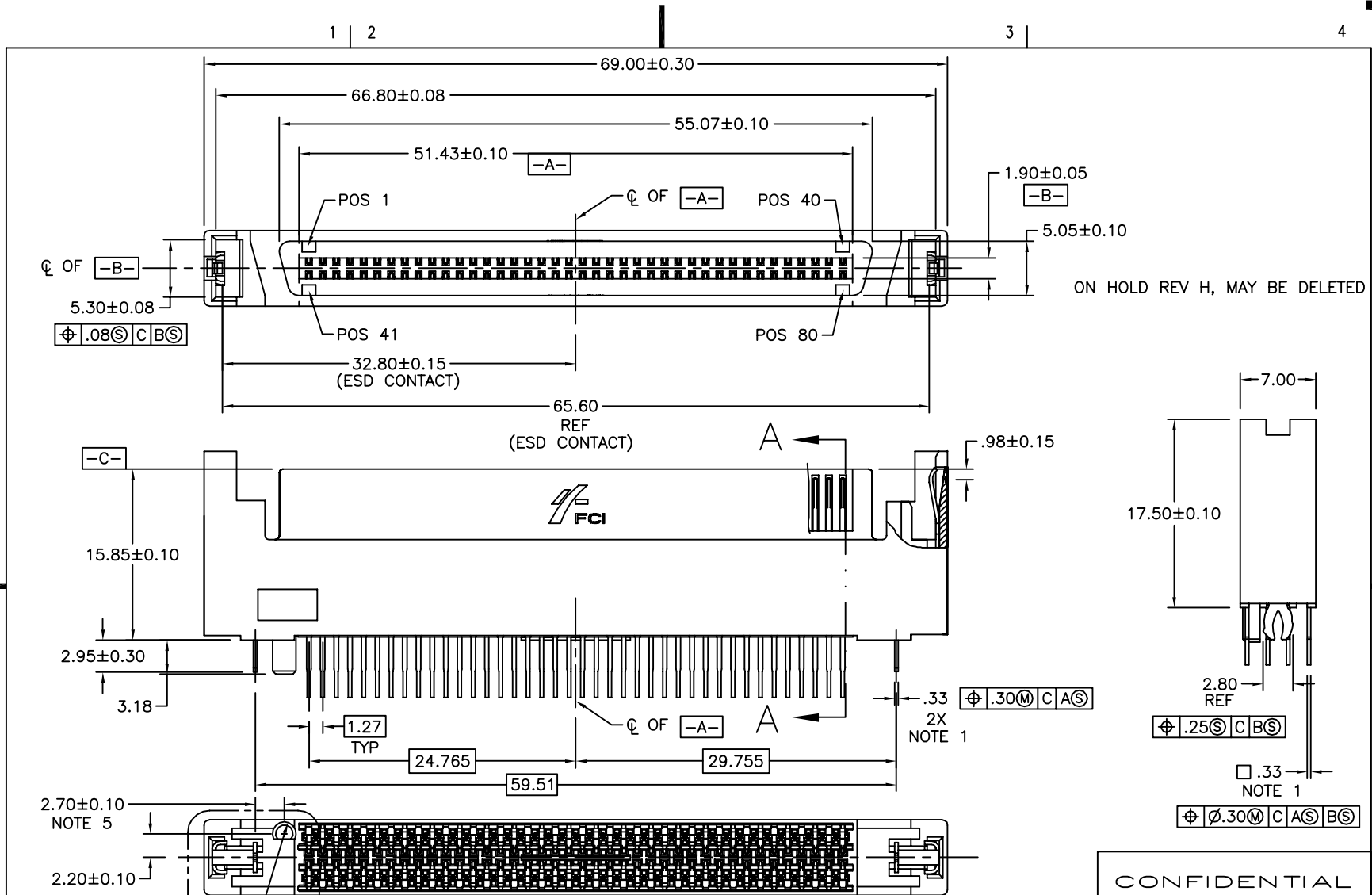


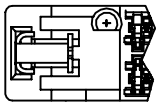
Tous droits strictement reserves. Reproduction ou communication a des tiers interdite sous quelque forme que ce soit sans autorisation ecrite du proprietaire. Propriete de c FCI. Droits de reproduction FCI.

All rights strictly reserved. Reproduction or issue to third parties in any form whatever is not permitted without written authority from the proprietor. Property of FCI. Copyright FCI.



ON HOLD REV H, MAY BE DELETED

DETAIL B
 Ø2.20
 POLARIZATION PEG
 (SEE CHART)
 NOTE 5



SHORTENED STANDOFF
 ON 72436-XXXS AND
 OPTION DESIGN FOR 72436-XXXLF

CONFIDENTIAL

mat'l. code				tolerances unless otherwise specified				CUSTOMER COPY		FCI www.fciconnect.com	
ltr	ecn no	dr	date	linear	.X ±.3	projection	title				
C	V00523	EPK	3/23/00		.XX ±.13	MM	SCA-2 & FIBER CHANNEL				
D	V11559	LSS	5/15/01	angles	.XXX ±.051	MM	80 POS. EXT. HT. RECEPT. ASS'Y				
E	V20316	MEM	2/11/02		0° ±2'	MM	product family		code		
F	S04-0012	GLL	1/26/04	dr	M. FETROW	9/24/96	SCA-2		-		
G	S04-0250	GLL	1/22/04	enrg	A. RAISTRICK	9/24/96	size		-		
H	S04-0275	GLL	12/23/04	chr	GL LOO	1/26/04	dwg no		sheet		
				appd	JOEY NG	1/26/04	A 72436		1 of 3		
sheet index	revision sheet	H	H	H			scale				
		1	2	3			2:1				
							cage code				
							22526				

ACAD

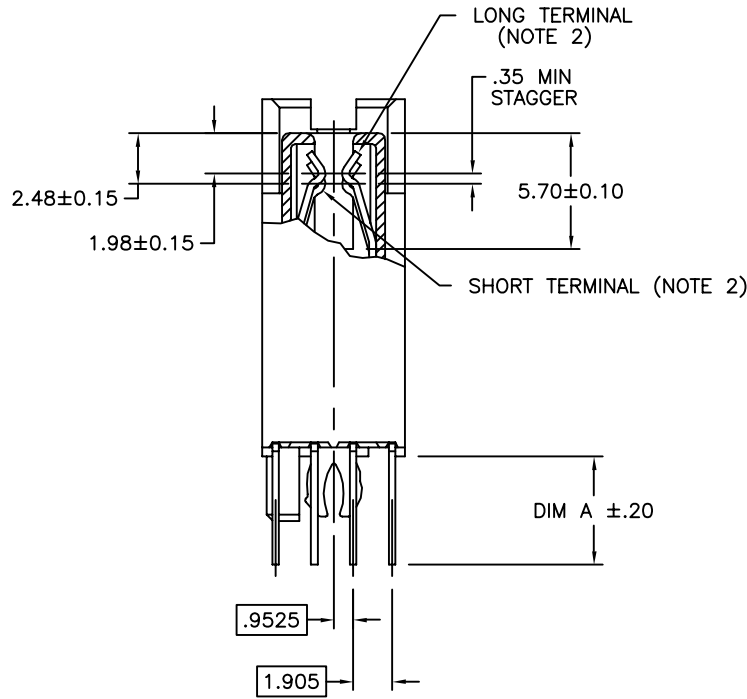
PDM: Rev:H

STATUS: Released

Printed: May 26, 2010

Tous droits strictement reserves. Reproduction ou communication a des tiers interdite sous quelque forme que ce soit sans autorisation ecrite du proprietaire. Propriete de c FCI. Droits de reproduction FCI.

All rights strictly reserved. Reproduction or issue to third parties in any form whatever is not permitted without written authority from the proprietor. Property of FCI. Copyright FCI.



SECTION A-A

CONFIDENTIAL

mat'l. code				tolerances unless otherwise specified			CUSTOMER COPY		www.fciconnect.com	
ltr	ecn no	dr	date	linear	.X ±.3		projection	title SCA-2 & FIBER CHANNEL 80 POS. EXT. HT. RECEPT. ASS'Y		
H					.XX ±.13					
					.XXX ±.051					
				angles	0° ±2°		MM scale 3:1	product family		code
				dr	M. FETROW	9/24/96		SCA-2		-
				enr	A. RAISTRICK	9/24/96		size	dwg no	sheet
				chr	GL L00	1/26/04		A 72436		2 of 3
				appd	JOEY NG	1/26/04				
sheet index	revision sheet	1								

cage code 22526

ACAD

Tous droits strictement reserves. Reproduction ou communication a des tiers interdite sous quelque forme que ce soit sans autorisation écrite du propriétaire. Propriete de c FCI. Droits de reproduction FCI.

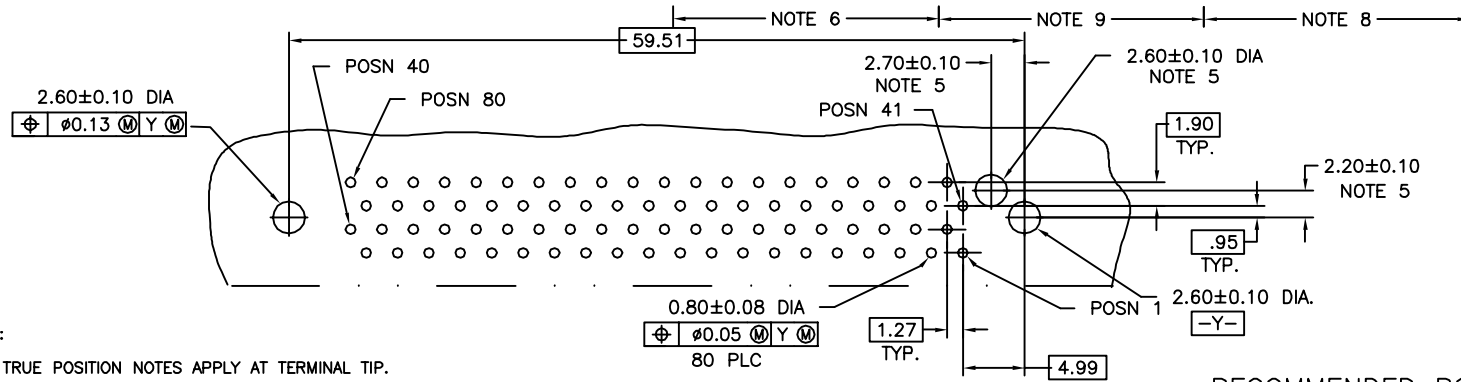
All rights strictly reserved. Reproduction or issue to third parties in any form whatever is not permitted without written authority from the proprietor. Property of FCI. Copyright FCI.

1 | 2

3

4

PRODUCT NO. SEE NOTE 7	"A" DIM	POLARIZATION PEG	PLATING	RECOMMENDED P.C. BOARD THICKNESS	PRODUCT NO.	PLATING	PRODUCT NO.	PLATING	PRODUCT NO.	PLATING
72436-001	2.79	YES	NOTE 4	1.57mm (0.062")	72436-101	NOTE 6	72436-001LF	NOTE 9	72436-201LF	NOTE 8
-001S					-101S		-201LF			
-002					-102		-202LF			
-002S	-102S									
-003	3.18	YES		2.36mm (0.093")	-103		72436-003LF		72436-203LF	
-003S				-103S						
-004				-104	-204LF					
-004S	3.18	NO		2.36mm (0.093")	-104S					
-005	4.06	YES		3.18mm (0.125")	-105		-005LF		-205LF	
-005S			-105S							
-006			-106	-206LF						
72436-006S	4.06	NO		72436-106S						



NOTES :

- TRUE POSITION NOTES APPLY AT TERMINAL TIP.
- CONTACTS IN POSITIONS 2 THRU 35, 44 AND 47 THRU 74 ARE SHORT TERMINALS. CONTACTS IN POSITIONS 1, 36 THRU 43, 45, 46, AND 75 THRU 80 ARE LONG TERMINALS.
- RAW MATERIALS:
HOUSING: HTN, UL94V-0, COLOR: BLACK
CONTACTS: PHOSPHOR-BRONZE
- CONTACT PLATING: 30u" (0.76um) MIN. GXT PLATING OVER 50u" (1.27um) NICKEL MIN. UNDERPLATE IN CONTACT AREA. 100u" (2.54um) MIN. TIN-LEAD PLATING OVER 50u" (1.27um) MIN. NICKEL UNDERPLATE IN P.C. BOARD LEG AREA. 50u" (1.27um) MIN. NICKEL UNDERPLATE OVER REMAINING AREA.
- DIMENSIONS DO NOT APPLY TO CONNECTOR STYLES WITHOUT POLARIZATION PEG. (SEE CHART)
- CONTACT PLATING: 30u" (0.76um) MIN. GOLD PLATING OVER 50u" (1.27um) NICKEL MIN. UNDERPLATE IN CONTACT AREA. 100u" (2.54um) MIN. TIN-LEAD PLATING OVER 50u" (1.27um) MIN. NICKEL UNDERPLATE IN P.C.B. LEG AREA. 50u" (1.27um) MIN NICKEL UNDERPLATE OVER REMAINING AREA.
- PART NUMBERS WITH "S" SUFFIX ARE MANUFACTURED WITH BRIGHT TIN-LEAD FINISH ON THE TERMINAL TAIL SECTION. PART NUMBERS WITHOUT AN END SUFFIX ARE MANUFACTURED WITH MATTE TIN-LEAD FINISH.
- CONTACT PLATING: 30u" (0.76um) GOLD PLATING OVER 50u" (1.27um) NICKEL UNDERPLATE IN CONTACT AREA. 100u" (2.54um) - 200u" (5.08um) TIN PLATING OVER 50u" (1.27um) - 100u" (2.54um) NICKEL UNDERPLATE IN P.C. BOARD LEG AREA. 50u" (1.27um) NICKEL UNDERPLATE OVER REMAINING AREA.
- CONTACT PLATING: 30u" (0.76um) GXT PLATING OVER 50u" (1.27um) NICKEL UNDERPLATE IN CONTACT AREA. 100u" (2.54um) - 200u" (5.08um) TIN PLATING OVER 50u" (1.27um) NICKEL UNDERPLATE IN P.C. BOARD LEG AREA. 50u" (1.27um) NICKEL UNDERPLATE OVER REMAINING AREA.
- THE HOUSING WILL WITHSTAND EXPOSURE TO 260° C PEAK TEMPERATURE FOR 10 SECONDS IN A WAVE SOLDER APPLICATION WITH A 1.57MM THICK CIRCUIT BOARD.
- THIS PRODUCT MEETS EUROPEAN UNION DIRECTIVES AND OTHER COUNTRY REGULATIONS AS DESCRIBED IN GS-22-008.
- PART NUMBERS ENDING IN "LF" MEANS FOR NOTE 11 LEAD FREE IDENTIFICATION. P/N XXXXX-2XXLF IS EQUIVALENT TO PREVIOUS P/N XXXXX-2XX

RECOMMENDED PC BOARD MOUNTING DIMENSIONS COMPONENT SIDE

CONFIDENTIAL

mat'l. code		tolerances unless otherwise specified		CUSTOMER COPY		FCI www.fciconnect.com	
ltr	ecn no	dr	date	linear	.X ±.3	projection	title
H					.XX ±.13		SCA-2 & FIBER CHANNEL
				angles	.XXX ±.051		80 POS. EXT. HT. RECEPT. ASS'Y
				dr	0° ±2'	MM	product family
				enr	M. FETROW 9/24/96		SCA-2
				chr	A. RAISTRICK 9/24/96		code
				appd	GL L00 1/26/04	size	SCA-2
					JOEY NG 1/26/04	scale	code
						2:1	size
sheet index	revision sheet						dwg no
	1						72436
							sheet
							3 of 3

cage code 22526

1 | 2

3

4

ACAD