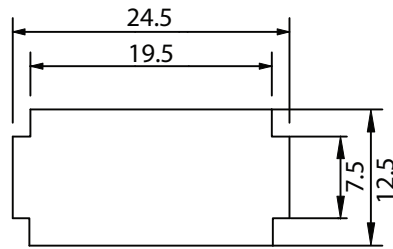
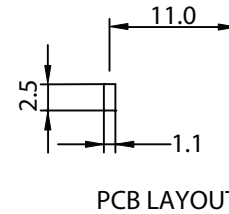
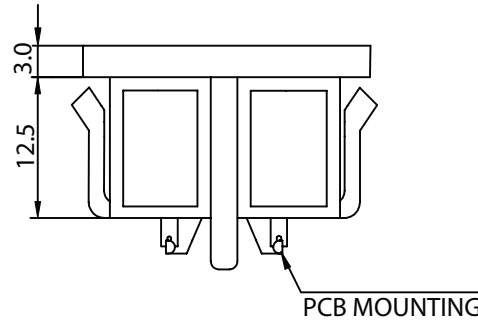
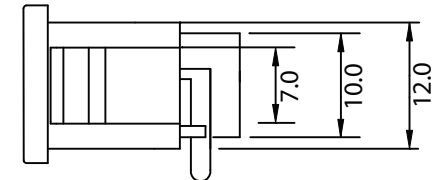
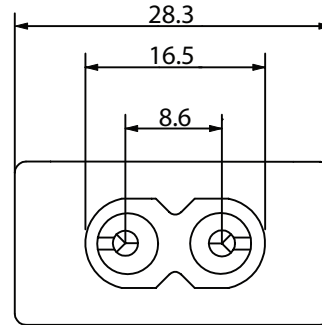


THESE DRAWINGS ARE THE PROPERTY OF QUALTEK ELECTRONICS AND NOT TO BE REPRODUCED FOR OR COMMUNICATED TO A THIRD PARTY WITHOUT THE EXPRESS WRITTEN PERMISSION OF AN OFFICER OF QUALTEK ELECTRONICS.

REVISION			
REV.	DESCRIPTION	DATE	APPROVED
B	RoHS Compliancy	06-01-06	DP



PANEL CUTOUT



NOTES:

MATERIAL:

- HOUSING: THERMOPLASTIC
- TERMINAL: COPPER ALLOY
- RATING: 2.5A 250V AC
- INSULATION RESISTANCE: OVER 100 OHM, 500V DC
- DIELECTRIC STRENGTH: 2000V AC ONE MINUTE
- APPROVALS: UL,CSA,VDE
- PANEL THICKNESS: 0.6~1.5
- RoHS COMPLIANT

CONTROLLED

Dim range (mm)	Tolerance +/- (mm)	Qualtek Electronics Corp. PPC DIVISION		
		Part Number: 771W-X2/02	RoHS Compliant	
0-1	0.15	Description: AC RECEPTACLE		
1-6	0.20		UNIT: mm	REV.B
6-18	0.30			
18-50	0.50			
50-120	0.70	Drawn / Date	Checked / Date	Approved / Date
120-250	0.90	B.Zhang 10-30-03	10-30-03	JJH / 10-30-03
250-500	1.20			