

CHAMP 0.8mm Centerline Printed Circuit Board Connectors (Continued)

**Hybrid Receptacle,
Low Profile, Shielded,
Hybrid Leads**

**Receptacle
Part Number 787096-1**

Material and Finish

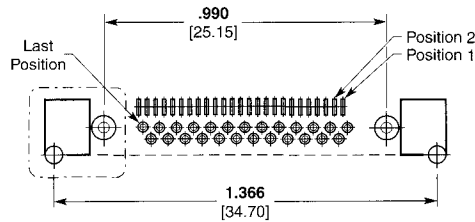
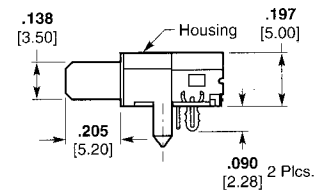
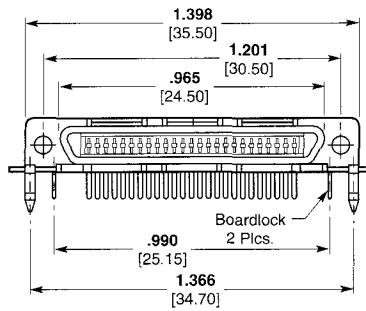
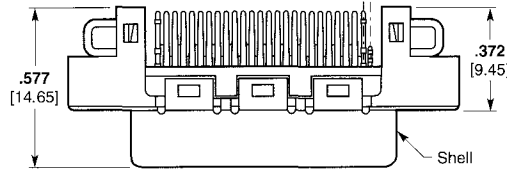
Housing — UL 94V-0 rated thermo-plastic, black, SMT compatible

Inserts — UL 94V-0 rated thermoplastic, natural, SMT compatible

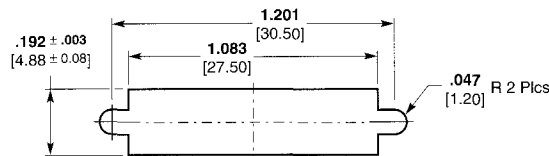
Shell — Steel, plated .000197 [0.00500] min. bright tin over .000098 [0.00250] min. copper

Contacts — Phosphor bronze, duplex plated .000003 [0.000076] min. gold over .000029 [0.00076] min. palladium nickel on mating end, .000148 [0.00375] min. bright tin-lead on solder end, all over .000050 [0.00127] min. nickel under plating

Boardlocks — Brass, plated .000148 [0.00375] min. bright tin-lead over .000050 [0.00127] min. nickel



**Recommended PC Board Layout
(50-Position Only)**



Recommended Panel Cutout

Part Number	No. of Pos.	Mount Type	Mount Style	Style	Description/Finish	Mating Part
787641-1	36	Thru-Hole	Solder	Single	3μ Au/30μ" Pb & Sn.	786930-2
787096-1	50	Thru-Hole	Solder	Single	3μ Au/30μ" Pb & Sn.	—