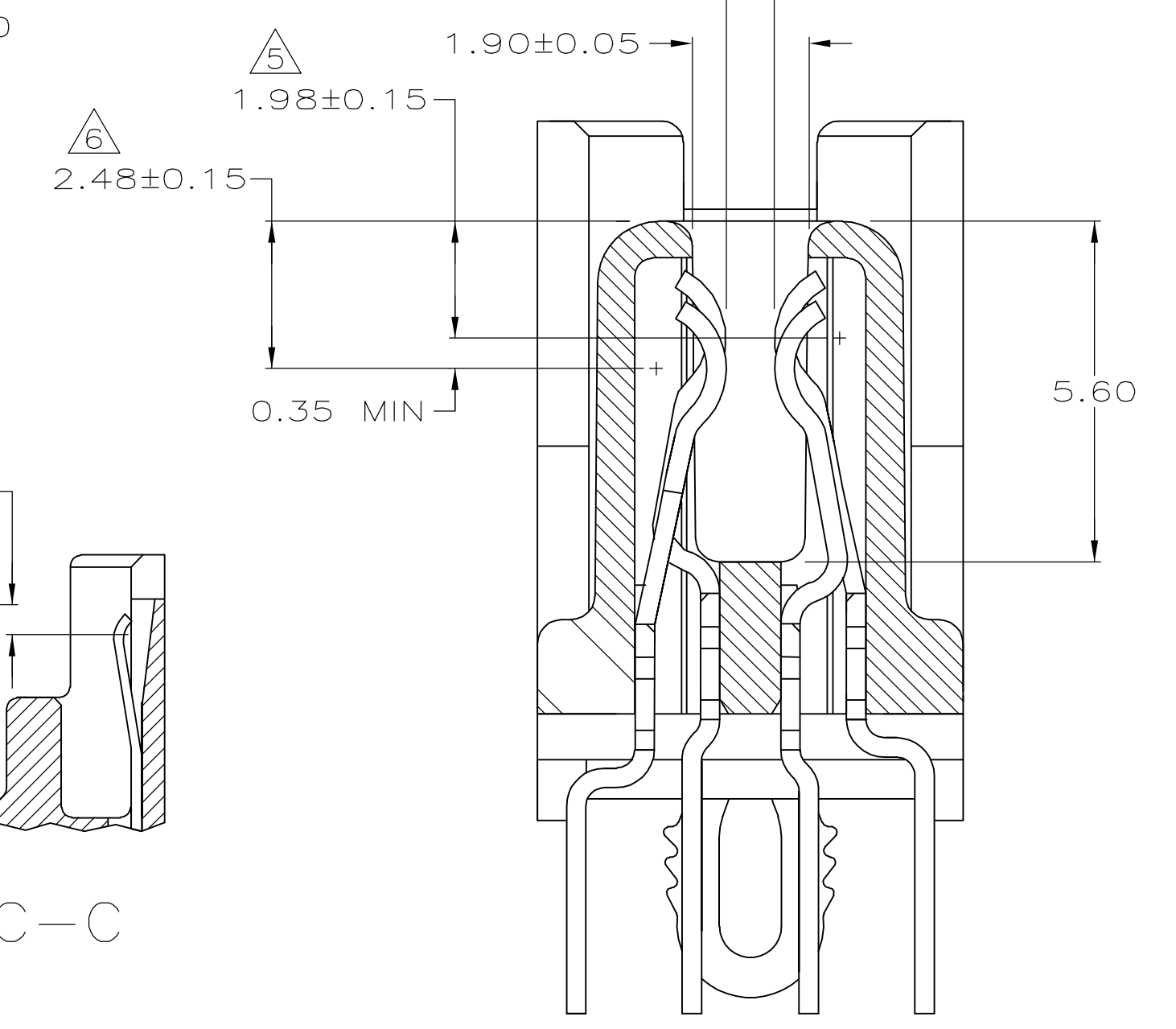
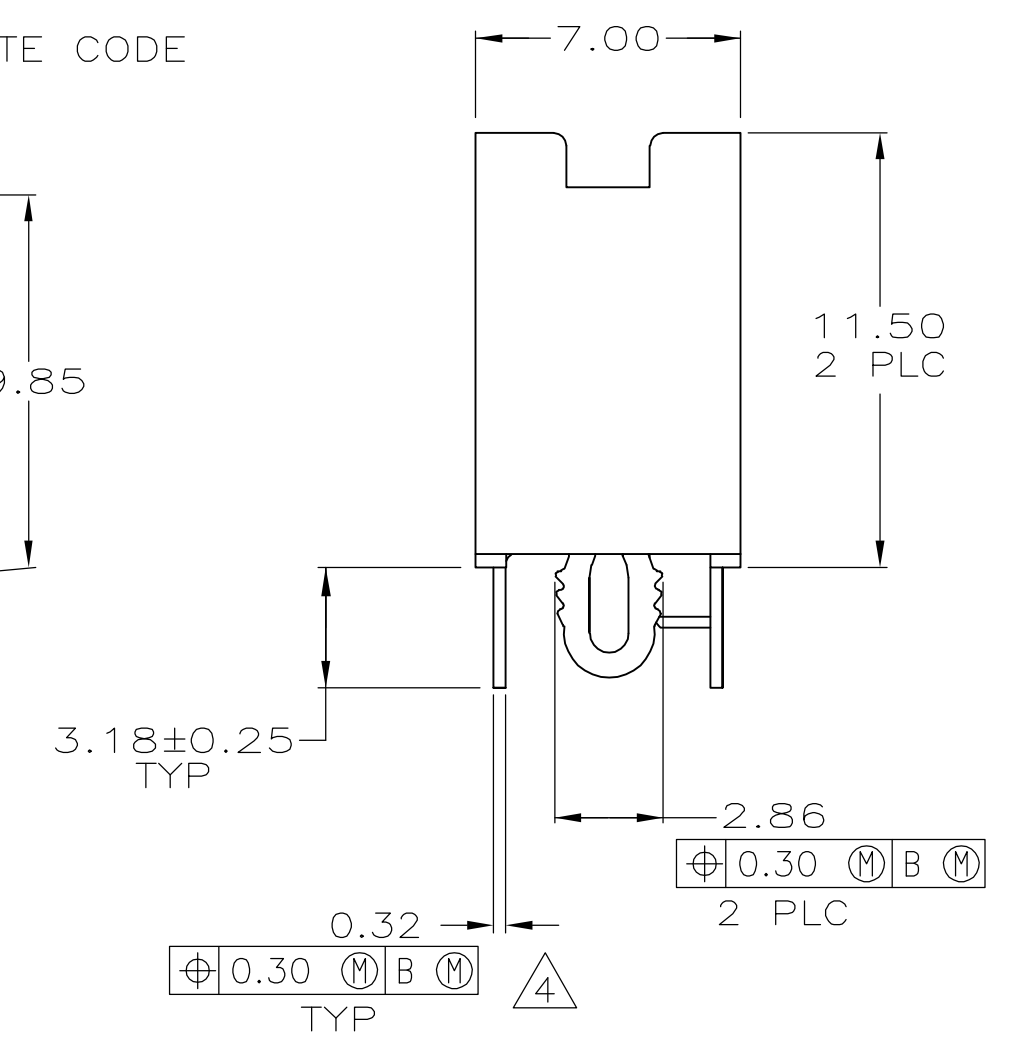
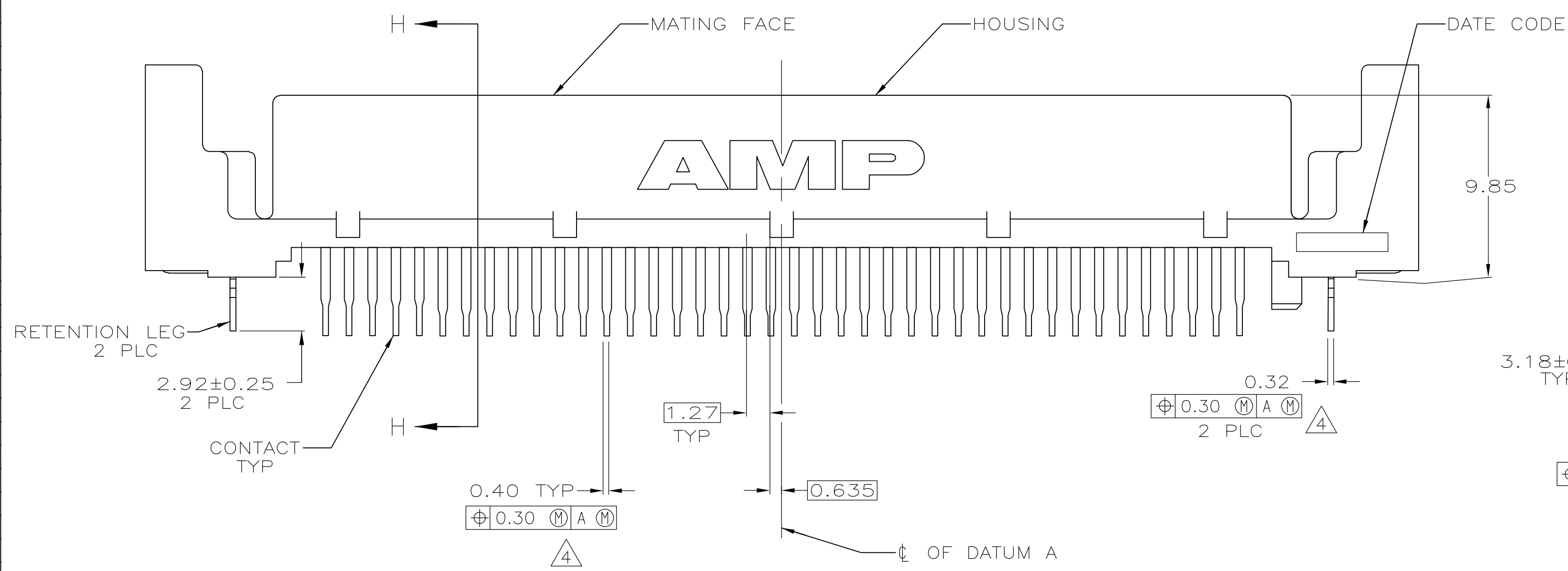


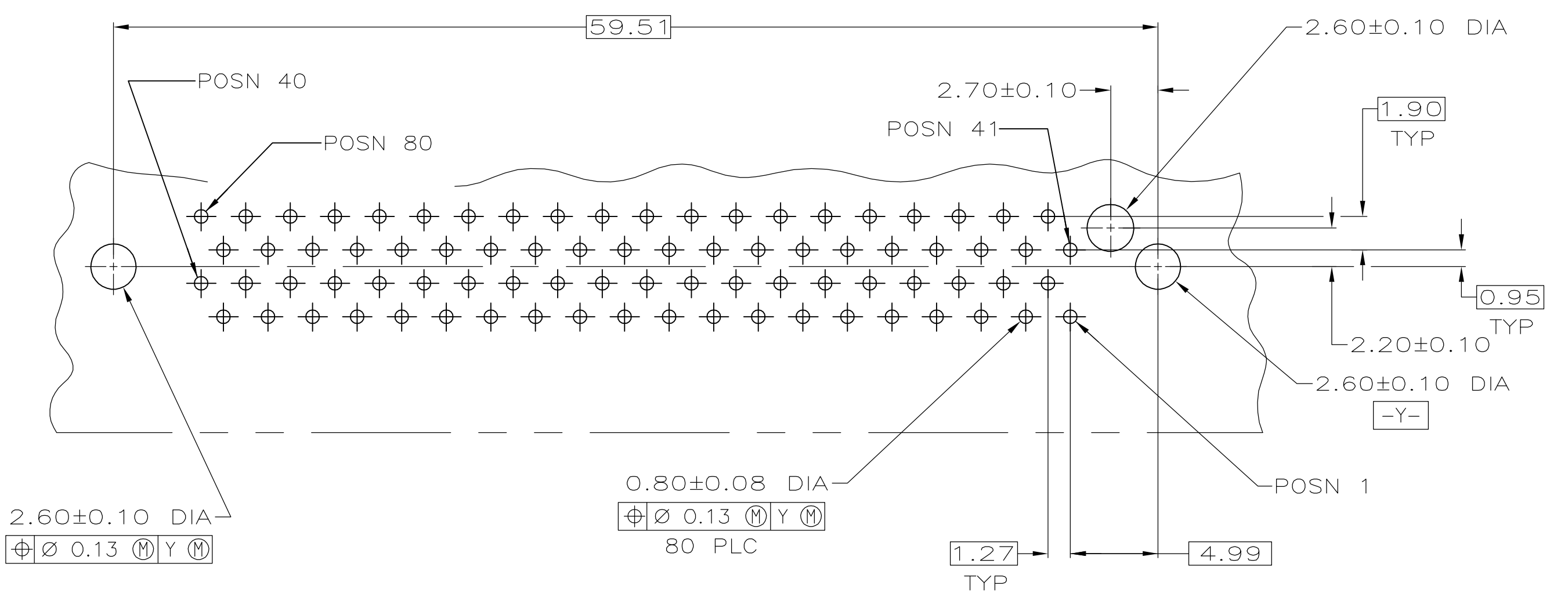
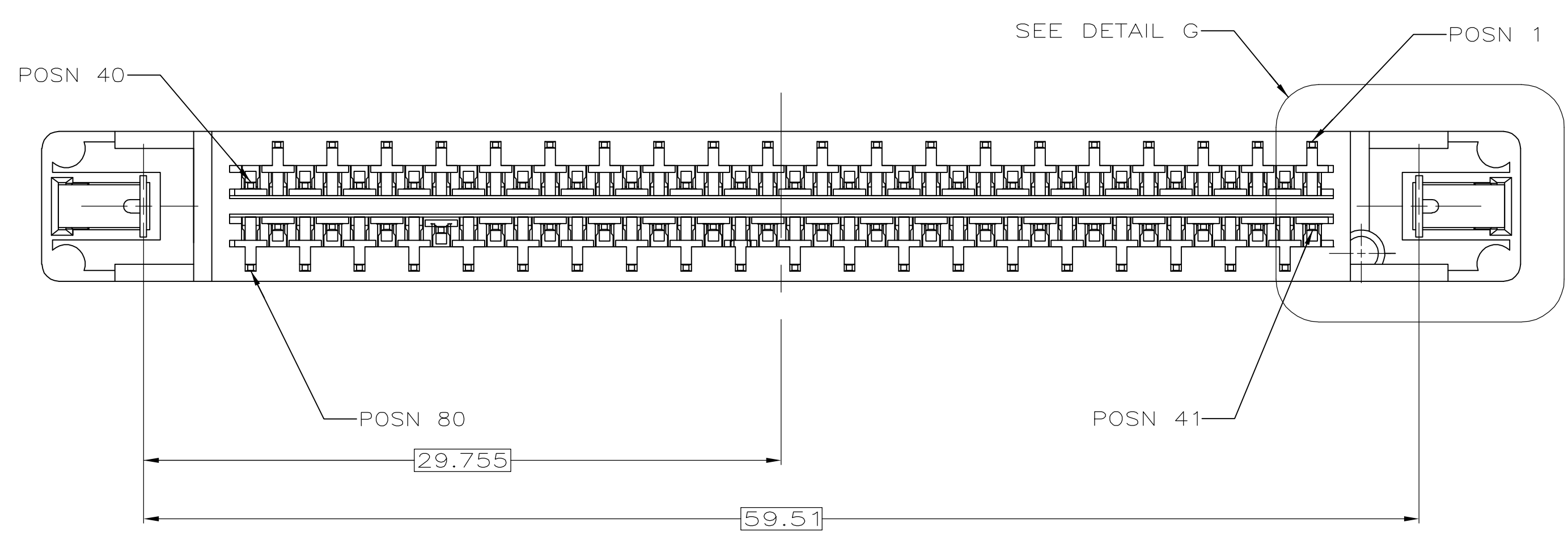
DETAIL G  
SCALE 10:1



SECTION H-H  
SCALE 10:1



SECTION C-C



RECOMMENDED PC BOARD  
MOUNTING DIMENSIONS  
COMPONENT SIDE  
SCALE 4:1

- ⚠ HOUSING: LCP, UL 94V-0 RATED, BLACK.  
CONTACTS: PHOSPHOR BRONZE.  
RETENTION LEGS: BRASS.
- ⚠ CONTACTS: 0.76 μm GOLD FOR A LENGTH 1.20 MIN STARTING 0.50 MAX FROM MATING END,  
3.81 μm MIN TIN-LEAD FOR A LENGTH OF 3.43 MIN FROM OPPOSITE END, BOTH OVER  
1.27 μm MIN NICKEL.
- ⚠ CONNECTOR WILL ACCOMMODATE MATING PRINTED CIRCUIT BOARD OF 1.60±0.07 THICKNESS.
- ⚠ POSITION TOLERANCE APPLIES AT CONTACT TIP ONLY.
- ⚠ CONTACTS 1, 36 THRU 40, 41 THRU 43, 45, 46 AND 75 THRU 80 ARE POSITIONED TOWARD THE MATING FACE. (FIRST MATE)
- ⚠ CONTACTS 2 THRU 35, 44, AND 47 THRU 74 ARE POSITIONED AWAY FROM THE MATING FACE. (SECOND MATE)
- ⚠ RETENTION LEGS: 3.81 μm MIN TIN-LEAD OVER 1.27 μm MIN NICKEL.
- ⚠ CONTACTS: 0.76 μm GOLD FOR A LENGTH 1.20 MIN STARTING 0.50 MAX FROM MATING END,  
3.81 μm MIN MATTE TIN FOR A LENGTH OF 3.43 MIN FROM OPPOSITE END, BOTH OVER  
1.27 μm MIN NICKEL.
- ⚠ RETENTION LEGS: 3.81 μm MIN HALT TIN.

	89	80	787565-2
OBSOLETE	27	80	787565-1
FINISH	POSN	PART NUMBER	

THIS DRAWING IS A CONTROLLED DOCUMENT.		DIN 09-19-95 D.BROCKWAY		Tyco Electronics Corporation Harrisburg, PA 17105-3608	
DIMENSIONS: mm		TOLERANCES UNLESS OTHERWISE SPECIFIED:		APVD: R.STONE 09-20-95	
0 PLC ± -		1 PLC ± -		NAME: J.SWANK 09-21-95	
1 PLC ± -		2 PLC ± 0.10		PRODUCT SPEC: 108-1548	
2 PLC ± -		3 PLC ± -		APPLICATION SPEC: 114-6061	
3 PLC ± -		4 PLC ± -		SIZE: A1	
4 PLC ± -		ANGLES ± -		CAGE CODE: 00779	
MATERIAL: 1		FINISH: SEE TABLE		DRAWING NO: 787565	
				RESTRICTED TO: -	
				CUSTOMER DRAWING	
				SCALE: 5:1	
				SHEET: 1 OF 1	
				REV: H1	