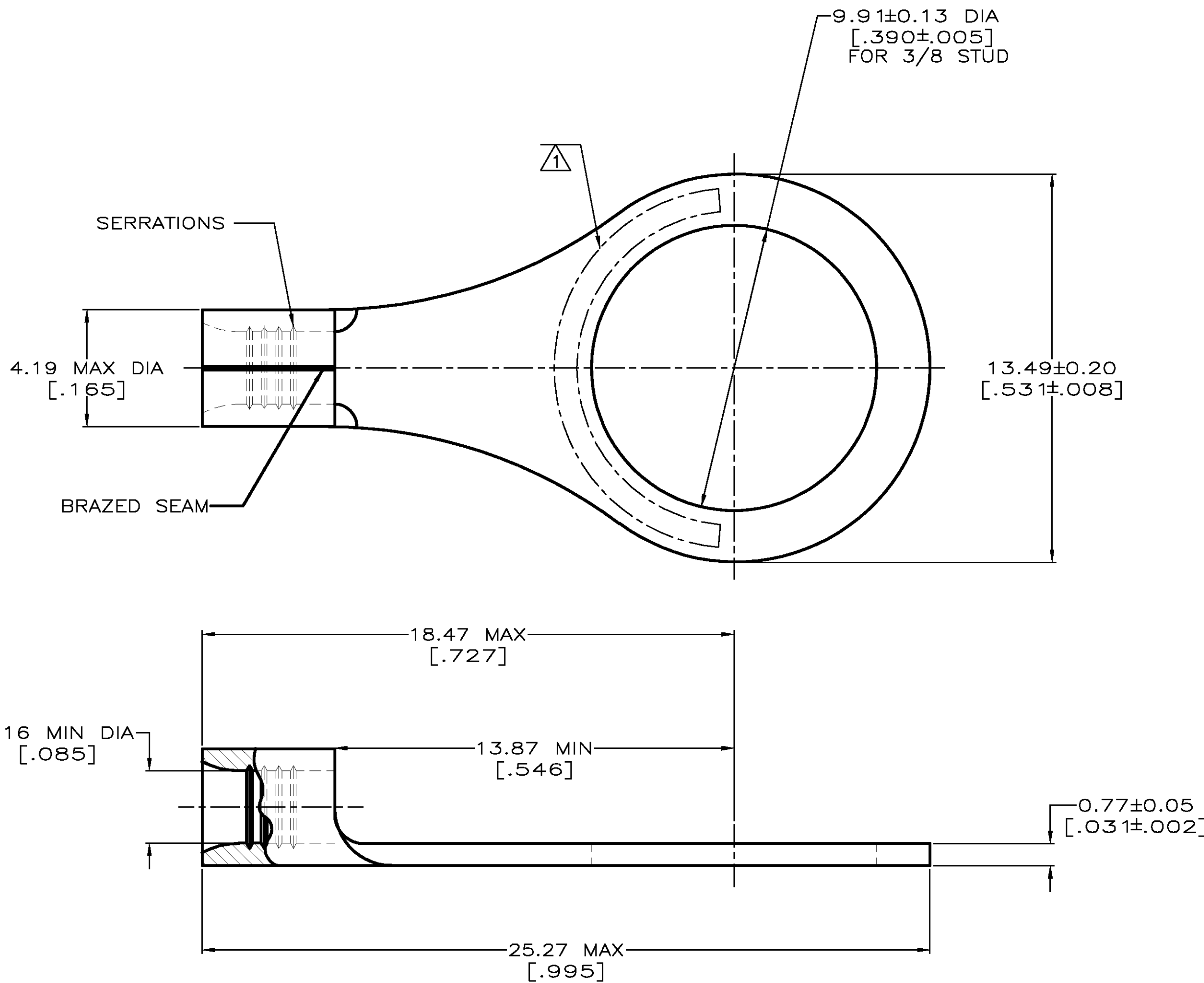


LOC	DIST	P	F	ZONE	LTR	DESCRIPTION	DATE	APPD
G	14				H	REV PER OG3A-0743-02	13DEC02	JR



<b>AMP WIRE RANGE</b>	<b>E13288 Listed</b>
16-14 AWG SOLID OR STRANDED	16-14 AWG SOLID OR STRANDED
<b>LR7189 Certified</b>	<b>MILITARY P/N AND CLASS</b>
16-14 AWG SOLID OR STRANDED	M7928/7-10 CLASS 2 P/N 34126 & 2-34126-2 ONLY

- ① STAMP AMP 16-14\* APPROX AS SHOWN
- ② TIN PLATE 0.00254 [.000100] MIN THK PER ASTM B-545.
- ③ GOLD PLATE 0.00127 [.000050] MIN THK PER MIL-G-45204 OVER NICKEL PLATE 0.00076 [.000030] MIN THK PER QQ-N-290.
- ④ PRELIMINARY - NOT FOR PRODUCTION

FINISH	QUANTITY	PACKAGING TYPE	PART NO
③	----	LOOSE PIECE	④ 2-34126-1
②	100	LOOSE PIECE, BOX	8-34126-1
②	5000	ON TAPE	2-34126-2
②	---	LOOSE PIECE	34126

<b>AMP INCORPORATED CUSTOMER SERVICE SYSTEMS</b>		MAX RECOMMENDED OPERATING TEMPERATURE: 170° C MAX	DO NOT SCALE PRINT. UNLESS SPECIFIED DIMENSIONS IN mm [INCHES] TOLERANCES ON : 2 PLC DEC ± - 3 PLC DEC ± - ANGLES ± -	DR 3-17-93 TA BRINKMAN	<b>AMP</b> AMP Incorporated Harrisburg, PA 17105-3608
FOR ADDITIONAL PRODUCT INFORMATION OR COPIES OF DRAWINGS AND TECHNICAL DOCUMENTS	PRODUCT INFORMATION CENTER 1-800-522-6752	VOLTAGE RATING: NOT APPLICABLE	MATERIAL COPPER PER ASTM B-152 ANNEALED	CHK 3-17-93 DA PATTERSON	
FOR APPLICATION TOOLING INFORMATION	TOOLING ASSISTANCE CENTER 1-800-722-1111	WIRE CROSS SECTIONAL AREA RANGE: 1.04-2.62mm <sup>2</sup> [2,050-5,180] CIR MILS SOLID OR STRANDED	FINISH SEE TABLE	APPD 3-17-93 DE MILLER	NAME TERMINAL, RING TONGUE, SOLISTRAND™
FOR ORDER ENTRY	1-800-526-5142	THIS DRAWING IS A CONTROLLED DOCUMENT FOR AMP INCORPORATED. IT IS SUBJECT TO CHANGE AND THE CONTROLLING ENGINEERING ORGANIZATION SHOULD BE CONTACTED FOR THE LATEST REVISION.	-	APPD 3-17-93 JL MECKLEY	SIZE C 00779
				PRODUCT SPEC -	DRAWING NO C= 34126
				APPLICATION SPEC -	SCALE 8:1
				WEIGHT -	SHEET 10F 1