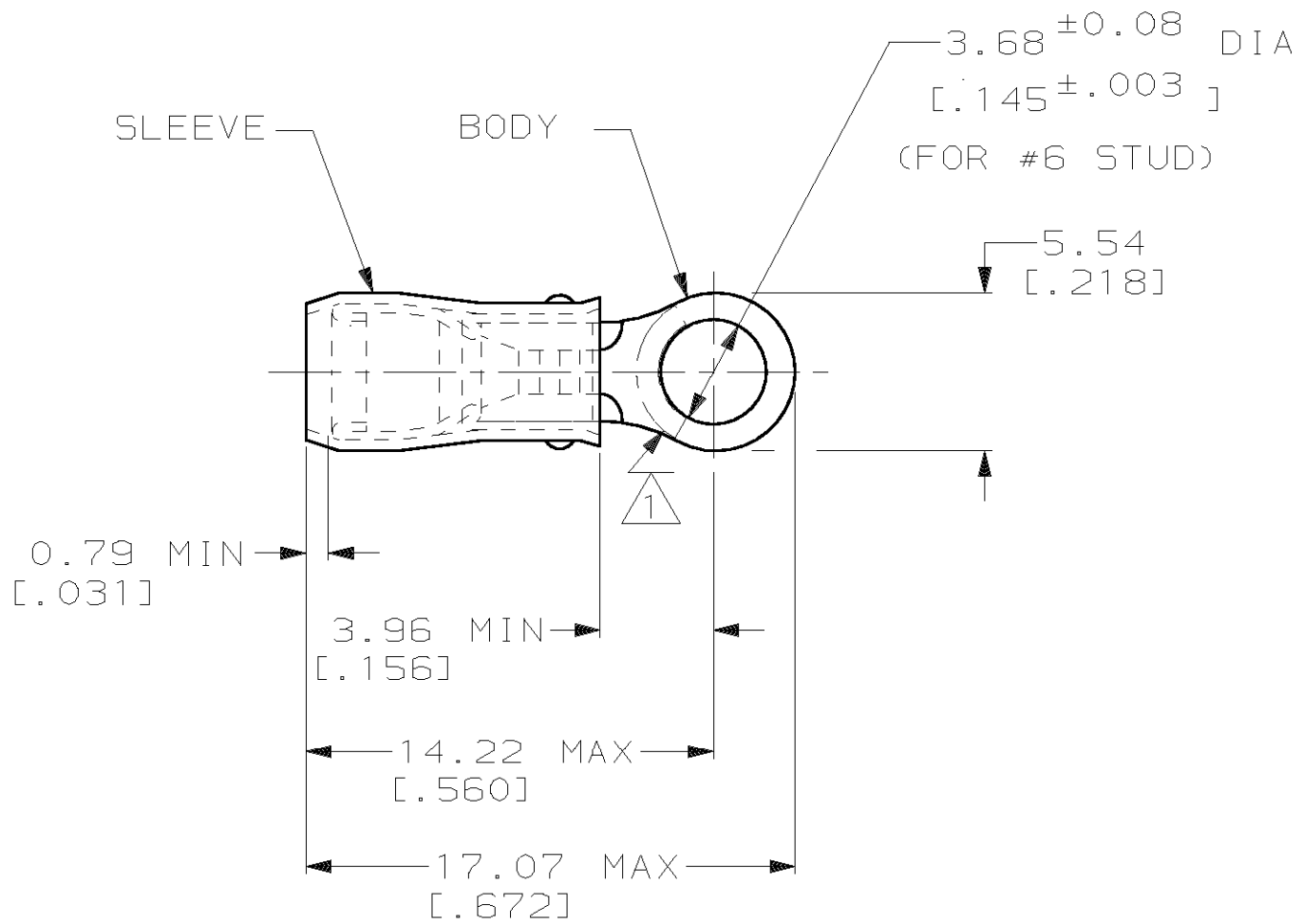


THIS DRAWING IS UNPUBLISHED. RELEASED FOR PUBLICATION, 19
 © COPYRIGHT 19 BY AMP INCORPORATED. ALL INTERNATIONAL RIGHTS RESERVED.

LOC G	DIST 14	P	F	REVISIONS			DATE	APPD
				ZONE	LTR	DESCRIPTION		
					U	REV PER OG3A-0199-99	16FEB00	JR/TM

AMP WIRE RANGE	UL E13288 Listed	SR LR7189 Certified
22-16 AWG SOLID OR STRANDED	22-16 AWG SOLID OR STRANDED	22-16 AWG SOLID OR STRANDED



- 1 STAMP AMP 22-18* APPROX AS SHOWN
22-16 TERMINALS ARE STAMPED 22-18 IN
ACCORDANCE WITH MILITARY SPEC MIL-T-7928
COMMERCIAL WIRE RANGE IS 22-16
- 2 WIRE INSULATION DIA: 2.03 - 3.18
[.080 - .125]
- 3 TONGUE MATERIAL THK: 0.79±0.05
[.031±.002]

AMP INCORPORATED CUSTOMER SERVICE SYSTEMS		MAX RECOMMENDED OPERATING TEMPERATURE: 105°C MAX	MS25036-101 CLASS 2	100	LOOSE PIECE, BOX	8-36149-1
FOR ADDITIONAL PRODUCT INFORMATION OR COPIES OF DRAWINGS AND TECHNICAL DOCUMENTS	PRODUCT INFORMATION CENTER 1-800-522-6752	VOLTAGE RATING: 300 V MAX	MS25036-101 CLASS 1 & 2	5000	ON TAPE, REEL	2-36149-2
FOR APPLICATION TOOLING INFORMATION	TOOLING ASSISTANCE CENTER 1-800-722-1111	CIRCULAR MIL AREA: 0.26-1.65mm ² [509-3,260] CIR MILS SOLID OR STRANDED	MILITARY P/N AND CLASS	1000	LOOSE PIECE	36149
FOR ORDER ENTRY	1-800-526-5142	THIS DRAWING IS A CONTROLLED DOCUMENT FOR AMP INCORPORATED. IT IS SUBJECT TO CHANGE AND THE CONTROLLING ENGINEERING ORGANIZATION SHOULD BE CONTACTED FOR THE LATEST REVISION.	DO NOT SCALE PRINT. UNLESS SPECIFIED DIMENSIONS IN mm [INCHES] TOLERANCES ON: 2 PLC DEC ± 0.20[.008] 3 PLC DEC ± - ANGLES ± -	QUANTITY	PACKAGE TYPE	PART NO
			MATERIAL COPPER PER ASTM B-152 SLEEVE, RED NYLON		AMP Incorporated Harrisburg, PA 17105-3608 NAME TERMINAL, RING TONGUE, PIDG™, WIRE SIZE, 22-16 AWG	
			FINISH TIN PLATE PER ASTM B545	DR 9/8/93 DK SCHRUM CHK 9/8/93 RE HERSEY APPD 9/8/93 ML ELLIS APPD 9/8/93 M BARNABA PRODUCT SPEC UL 486A APPLICATION SPEC NOT AVAILABLE	SIZE B	CAGE CODE 00779
				WEIGHT -	DRAWING NO C-36149	SHEET 1 OF 2
					SCALE NTS	

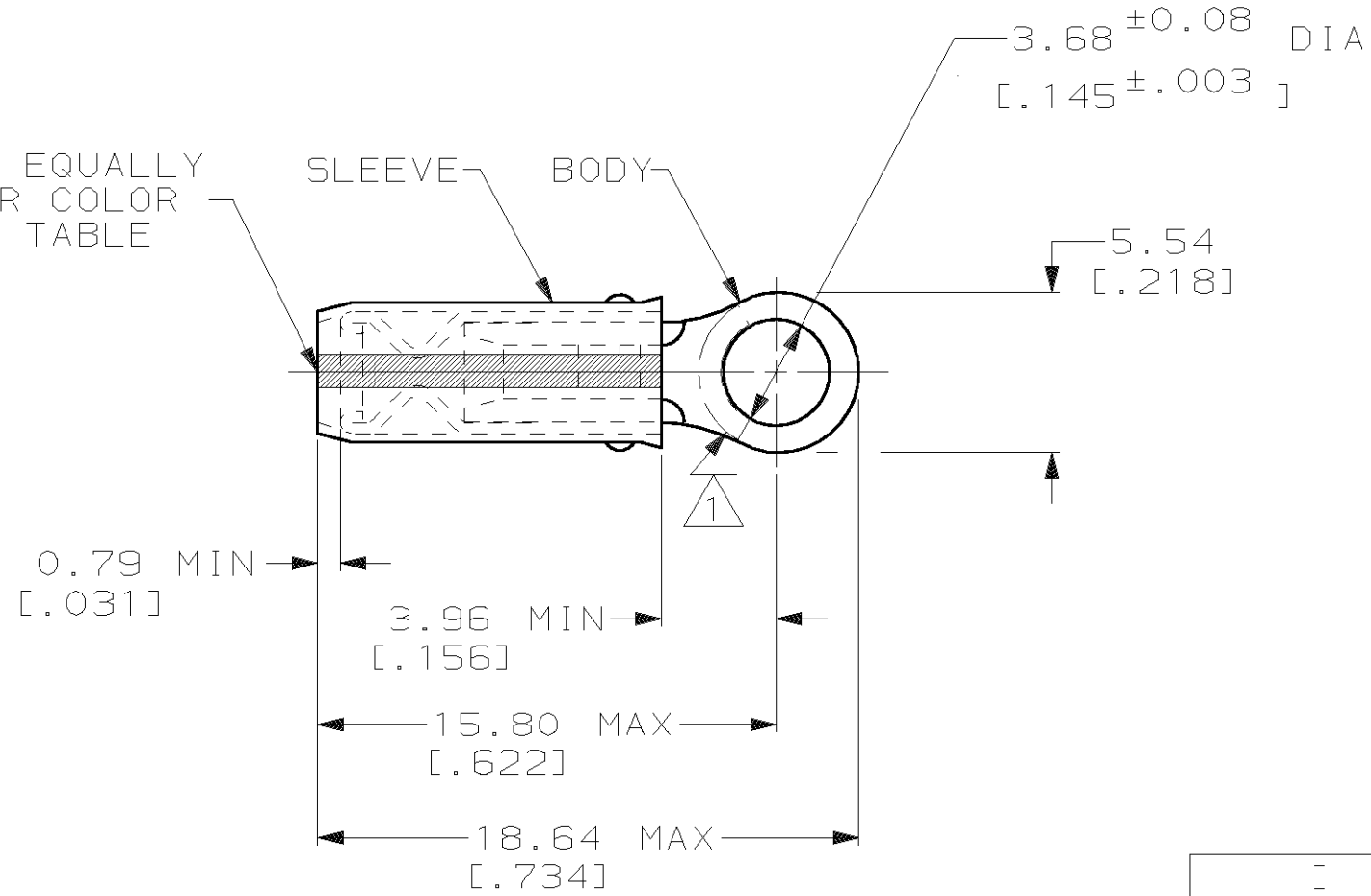
THIS DRAWING IS UNPUBLISHED. RELEASED FOR PUBLICATION, 19
 © COPYRIGHT 19 BY AMP INCORPORATED. ALL INTERNATIONAL RIGHTS RESERVED.

LOC	DIST	P	F	REVISIONS				
G	14			ZONE	LTR	DESCRIPTION	DATE	APPD
					U	REV PER OG3A-0199-99	16FEB00	JR/TM

AMP
WIRE RANGE

SEE TABLE
STRANDED

3 STRIPES EQUALLY SPACED FOR COLOR CODE: SEE TABLE



1 STAMP AMP APPROX AS SHOWN
SEE TABLE BELOW

2 WIRE INSULATION DIA: 0.97 - 2.79 FOR 22 AWG
[.038 - .110]
1.17 - 2.79 FOR 20 AWG
[.046 - .110]
1.42 - 2.79 FOR 18 AWG
[.056 - .110]

3 TONGUE MATERIAL THK: 0.79 ± 0.05
[.031 ± .002]

-	WHITE	18*	18	100	LOOSE PIECE, BOX	9-36149-1
-	RED	20*	20	100	LOOSE PIECE, BOX	7-36149-1
-	GREEN	22*	22	100	LOOSE PIECE, BOX	6-36149-1
M7928/1-30 CLASS 1 & 2	WHITE	18*	18	1000	LOOSE PIECE	2-36149-5
M7928/1-21 CLASS 1 & 2	RED	20*	20	1000	LOOSE PIECE	2-36149-4
M7928/1-12 CLASS 1 & 2	GREEN	22*	22	1000	LOOSE PIECE	2-36149-3

AMP INCORPORATED
CUSTOMER SERVICE SYSTEMS

FOR ADDITIONAL PRODUCT INFORMATION OR COPIES OF DRAWINGS AND TECHNICAL DOCUMENTS: PRODUCT INFORMATION CENTER 1-800-522-6752

FOR APPLICATION: TOOLING ASSISTANCE CENTER 1-800-722-1111

TOOLING INFORMATION: 1-800-722-1111

FOR ORDER ENTRY: 1-800-526-5142

MAX RECOMMENDED OPERATING TEMPERATURE: 105°C MAX

VOLTAGE RATING: 300 V MAX

WIRE RANGE: CIRC MIL AREA:
22 0.38mm² [754]
20 0.60mm² [1,186]
18 0.96mm² [1,900]

STRANDED

THIS DRAWING IS A CONTROLLED DOCUMENT FOR AMP INCORPORATED. IT IS SUBJECT TO CHANGE AND THE CONTROLLING ENGINEERING ORGANIZATION SHOULD BE CONTACTED FOR THE LATEST REVISION.

MILITARY P/N AND CLASS: STRIPE COLOR: STAMPING: WIRE SIZE: QUANTITY: PACKAGE TYPE: PART NO

DO NOT SCALE PRINT. UNLESS SPECIFIED DIMENSIONS IN mm [INCHES] TOLERANCES ON:
2 PLC DEC ± 0.20[.008]
3 PLC DEC ± -
ANGLES ± -

MATERIAL: COPPER PER ASTM B-152 SLEEVE, RED NYLON

FINISH: TIN PLATE PER ASTM B545

DR 9/8/93 DK SCHRUM
CHK 9/8/93 RE HERSEY
APPD 9/8/93 ML ELLIS
APPD 9/8/93 M BARNABA
PRODUCT SPEC -
APPLICATION SPEC NOT AVAILABLE
WEIGHT -

AMP AMP Incorporated
Harrisburg, PA 17105-3608

NAME: TERMINAL, RING TONGUE, I.R., PIDG™, WIRE SIZE, 22-16 AWG

SIZE: CAGE CODE: DRAWING NO: B 00779 C-36149

SCALE: NTS SHEET: 2 OF 2