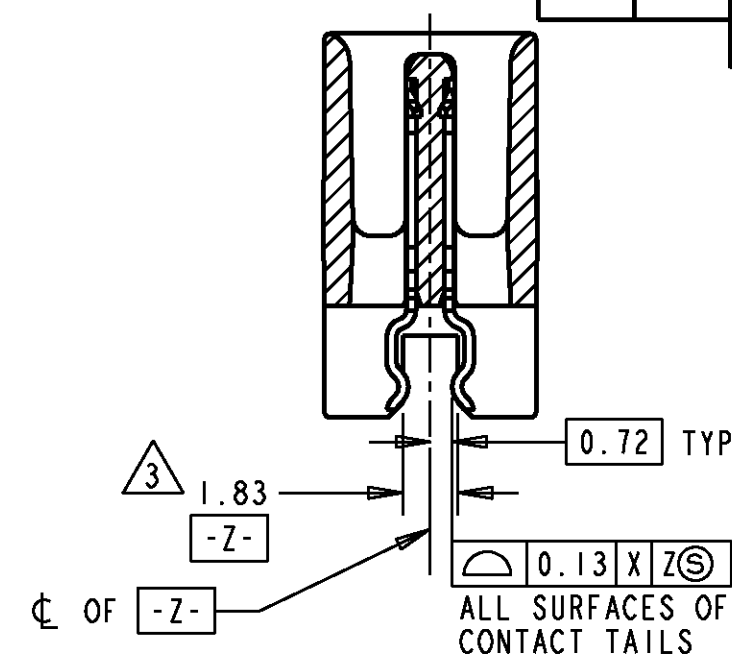
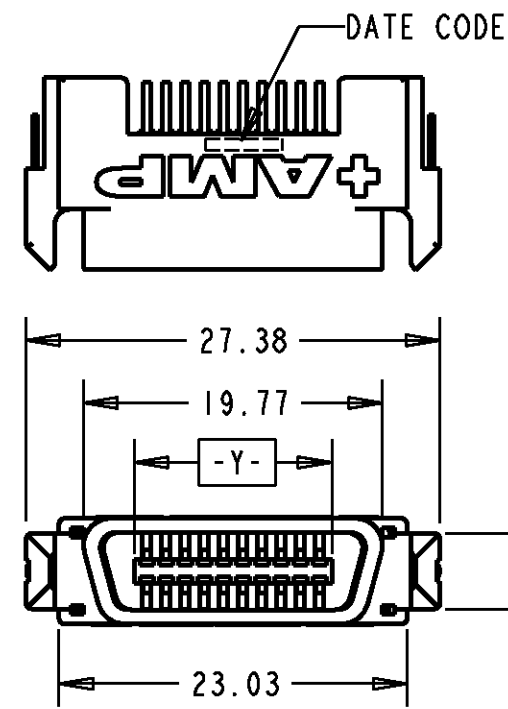
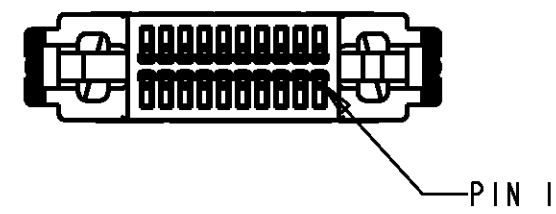
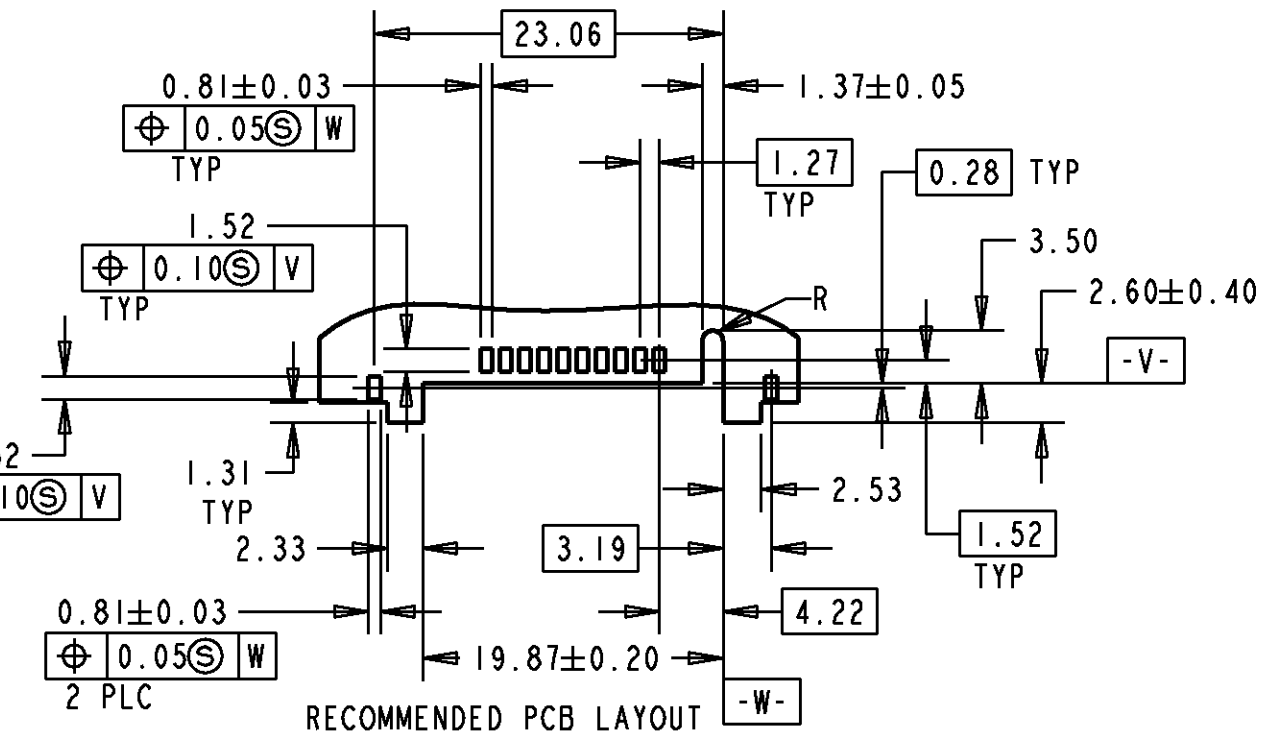
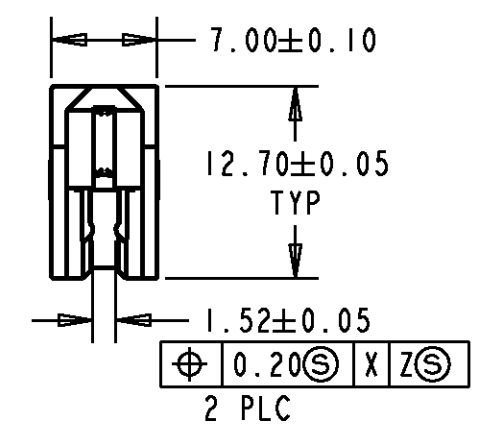
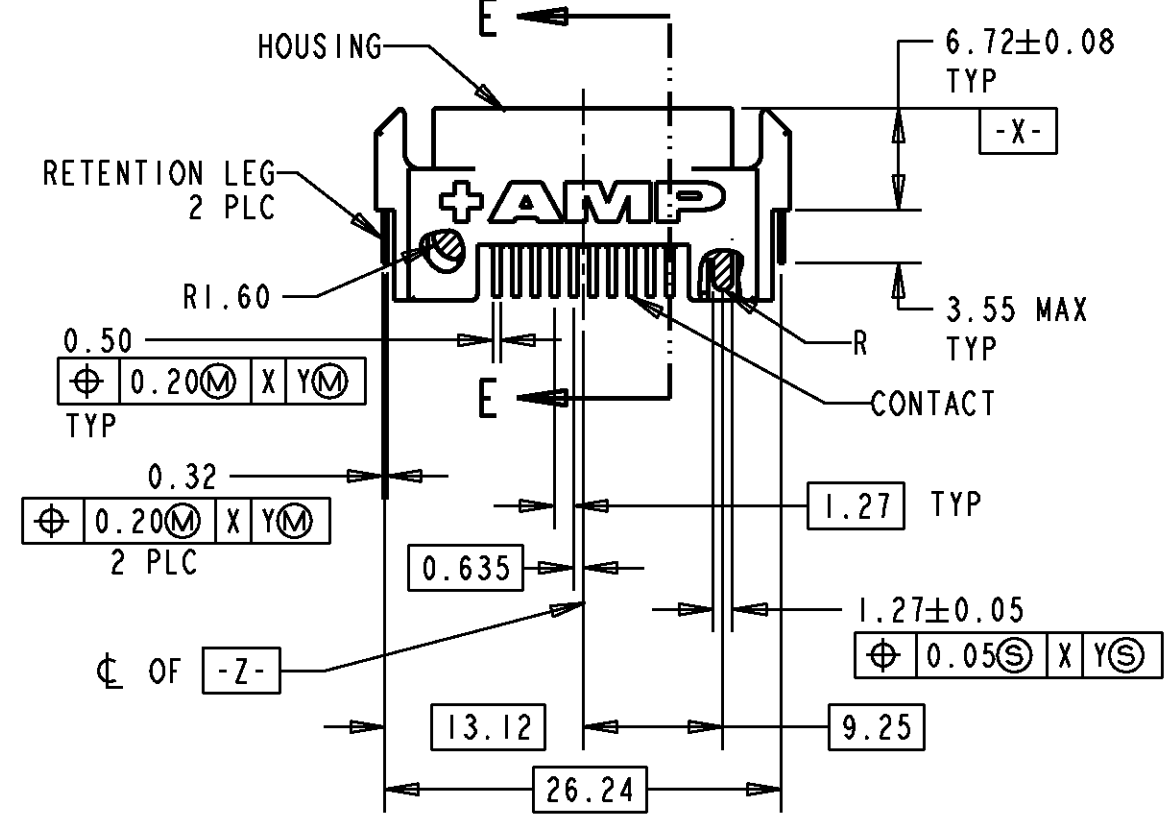


THIS DRAWING IS UNPUBLISHED. RELEASED FOR PUBLICATION .19  
 © COPYRIGHT 19 BY AMP INCORPORATED. ALL RIGHTS RESERVED.

LOC	DIST	REVISIONS					
DY	-	P	LTR	DESCRIPTION	DATE	DWN	APVD
		A		REVISED FP00-0367-98	2NOV98	LWY	TAP



- NOTES:
- 1 HOUSING: LCP, UL 94V-0 RATED, BLACK  
CONTACTS: PHOSPHOR BRONZE  
RETENTION LEGS: BRASS
  - 2 CONTACT:  
0.76um MIN GOLD FOR A LENGTH 2.00 STARTING 1.00 MAX FROM MATING END, 3.81um MIN TIN/LEAD FOR A LENGTH OF 3.43 MIN OPPOSITE END, BOTH OVER 1.27um MIN NICKEL  
RETENTION LEG:  
3.81 um MIN TIN-LEAD OVER 1.27um MIN NICKEL
  - 3 MAXIMUM PRINTED CIRCUIT BOARD THICKNESS THAT CONNECTOR WILL ACCOMMODATE.



P/N: -1 AS SHOWN

THIS DRAWING IS A CONTROLLED DOCUMENT FOR AMP INCORPORATED. IT IS SUBJECT TO CHANGE AND THE CONTROLLING ENGINEERING ORGANIZATION SHOULD BE CONTACTED FOR THE LATEST REVISION.		DWN WYLEE	13AUG98	<b>AMP</b> AMP MANUFACTURING (SINGAPORE) PTE. LTD.
DIMENSIONS: mm		CHK AP TAY	APVD SE LFONG	
TOLERANCES UNLESS OTHERWISE SPECIFIED: 0 PLC ± 1 PLC ± 2 PLC ±0.10 3 PLC ± 4 PLC ± ANGLES ±1°		PRODUCT SPEC 108-1548	APPLICATION SPEC 114-6061	NAME PLUG ASSY, STRADDLE MOUNT, CHAMP BLINDMATE .050 SERIES 1, 20P
MATERIAL 1	FINISH 2	WEIGHT -	CUSTOMER DRAWING	SIZE A3
		DRAWING NO C=84598		CAGE CODE 00779
		SCALE 2:1		SHEET 1
				OF 1
				REV A