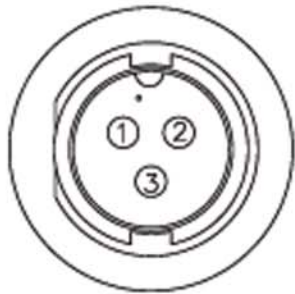
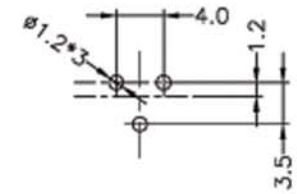
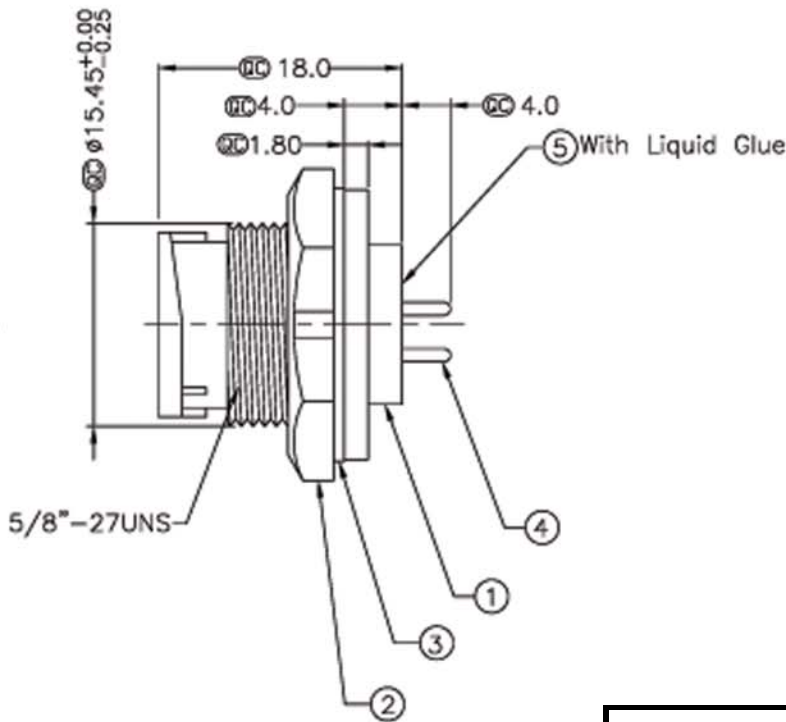
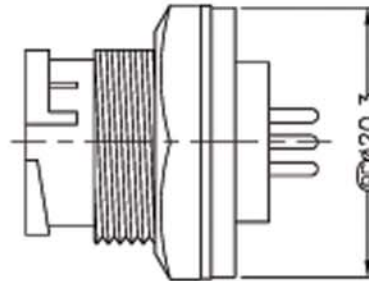
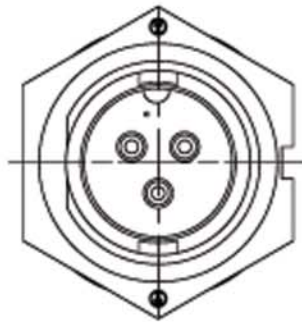


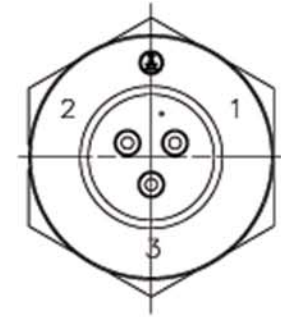
Recommended Panel Cut-Out



Pin Assignments
Front View



3Pin Male Connector
Male Pin PCB Layout
3 Pin
PCB



Notes:

- Waterproof Rate: IP67
- Connector: Black, Nylon+GF
- Pin: Copper Alloy, Gold Plated



ITEM NO
A-CR-03PMMP-LC-WP-R (Male, 3 Pin)

TITLE
Waterproof Circular Connector (5A), Solder Type, Panel Mount

ASSMANN
Electronics, Inc.
1840 W. Drake Drive, Suite 101 - Tempe, AZ 85283
Toll Free: 1-877-277-6266 Email: info@usa-assmann.com

THIS DRAWING IS UNPUBLISHED
© Copyright 2008 by Assmann Electronic Components
All International Rights Reserved