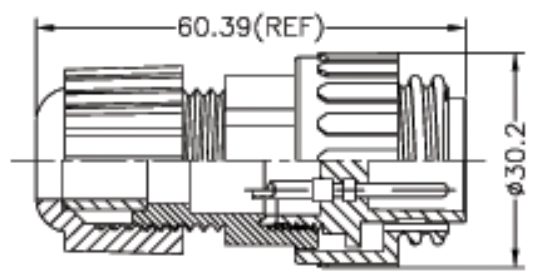
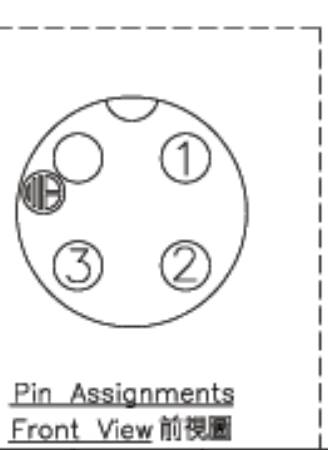
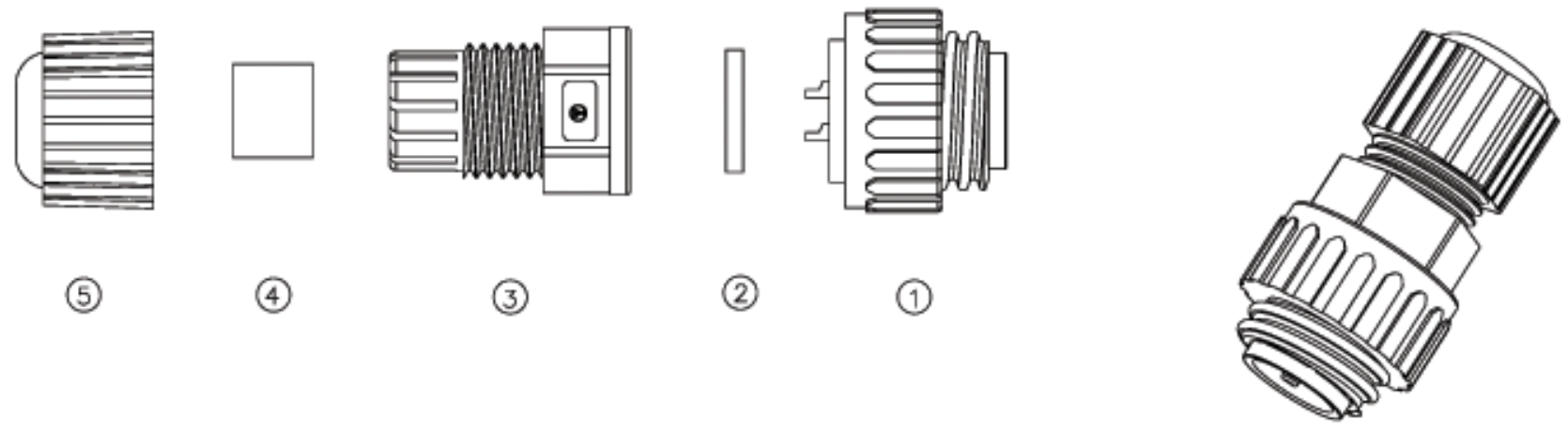


REV.	REV. NO.	DATE	SEEN	DESCRIPTION

APPROVED

SIGNATURE	
DATE	



- Note:
- * $\text{\textcircled{X}}$ Important Dimension. ($\text{\textcircled{X}}$ 為重點尺寸)
 - * Waterproof Rate: IP67
 - * Connector: Black, Nylon+GF
 - * Pin: Copper Alloy, Gold Plated
 - * Seals for Cable OD: $\phi 5.5\text{mm} \sim \phi 10.8\text{mm}$
(防水墊圈限用線徑: $\phi 5.5\text{mm} \sim \phi 10.8\text{mm}$)
 - * One Set Unassembled in One PE Bag (每一組未組裝, 放置於一個PE袋, 并封口)

UNIT : mm		TITLE	3+PE Power Connector(12A)	
TOLERANCE		SCALE	Free	SHEET 1 of 1
X ±0.25		REV.	01	SIZE A4
.XX ±0.1				$\text{\textcircled{X}}$: Inspection Item
.XXX ±0.05				
ANGLES ±1°				



ITEM NO	A-P04BMMA-S180-WP-R	DRAWN BY	Lin Li Qing	DATE	2006/06/19
DWG NO	A-P04BMMA-S180-WP-R	CHECKED BY	Ling	DATE	2006/06/24
		APPROVED BY	Robert Hsu	DATE	2006/06/28

THIS INFORMATION IS CONFIDENTIAL AND IS DISCLOSED TO YOU ON CONDITION THAT NO FURTHER DISCLOSURE IS MADE BY YOU TO OTHER THAN THE PERSONNEL WITHOUT AUTHORIZATION FROM LHM CORP.