
Dual Channel 11 Bit, 200 MSPS ADC With *SNRBoost*

FEATURES

- **Maximum Sample Rate: 200 MSPS**
- **11-bit Resolution with No Missing Codes**
- **90 dBc SFDR at $F_{in} = 10$ MHz**
- **79.8 dBFS SNR at 125 MHz IF, 20 MHz BW using TI proprietary *SNRBoost* technology**
- **Total Power 1.1 W at 200 MSPS**
- **90 dB Cross-talk**
- **Double Data Rate (DDR) LVDS and Parallel CMOS Output Options**
- **Programmable Gain up to 6dB for SNR/SFDR Trade-off**
- **DC Offset Correction**
- **Gain Tuning Capability in Fine Steps (0.001 dB) Allows Channel-to-channel Gain Matching**
- **Supports Input Clock Amplitude Down to 400 mV p-p Differential**
- **Internal and External Reference Support**
- **64-QFN Package (9 mm × 9 mm)**

DESCRIPTION

ADS62C17 is a dual channel 11-bit, 200 MSPS A/D converter that combines high dynamic performance and low power consumption in a compact 64 QFN package. This makes it well-suited for multi-carrier, wide band-width communications applications.

ADS62C17 uses TI-proprietary *SNRBoost* technology that can be used to overcome SNR limitation due to quantization noise for bandwidths less than Nyquist ($F_s/2$). It includes several useful and commonly used digital functions such as ADC offset correction, gain (0 to 6 dB in steps of 0.5 dB) and gain tuning (in fine steps of 0.001 dB).

The gain option can be used to improve SFDR performance at lower full-scale input ranges. Using the gain tuning capability, each channel's gain can be set independently to improve channel-to-channel gain matching. The device also includes a dc offset correction loop that can be used to cancel the ADC offset.

Both DDR LVDS (Double Data Rate) and parallel CMOS digital output interfaces are available. It includes internal references while the traditional reference pins and associated decoupling capacitors have been eliminated. Nevertheless, the device can also be driven with an external reference.

The device is specified over the industrial temperature range (-40°C to 85°C).



Please be aware that an important notice concerning availability, standard warranty, and use in critical applications of Texas Instruments semiconductor products and disclaimers thereto appears at the end of this data sheet.



These devices have limited built-in ESD protection. The leads should be shorted together or the device placed in conductive foam during storage or handling to prevent electrostatic damage to the MOS gates.

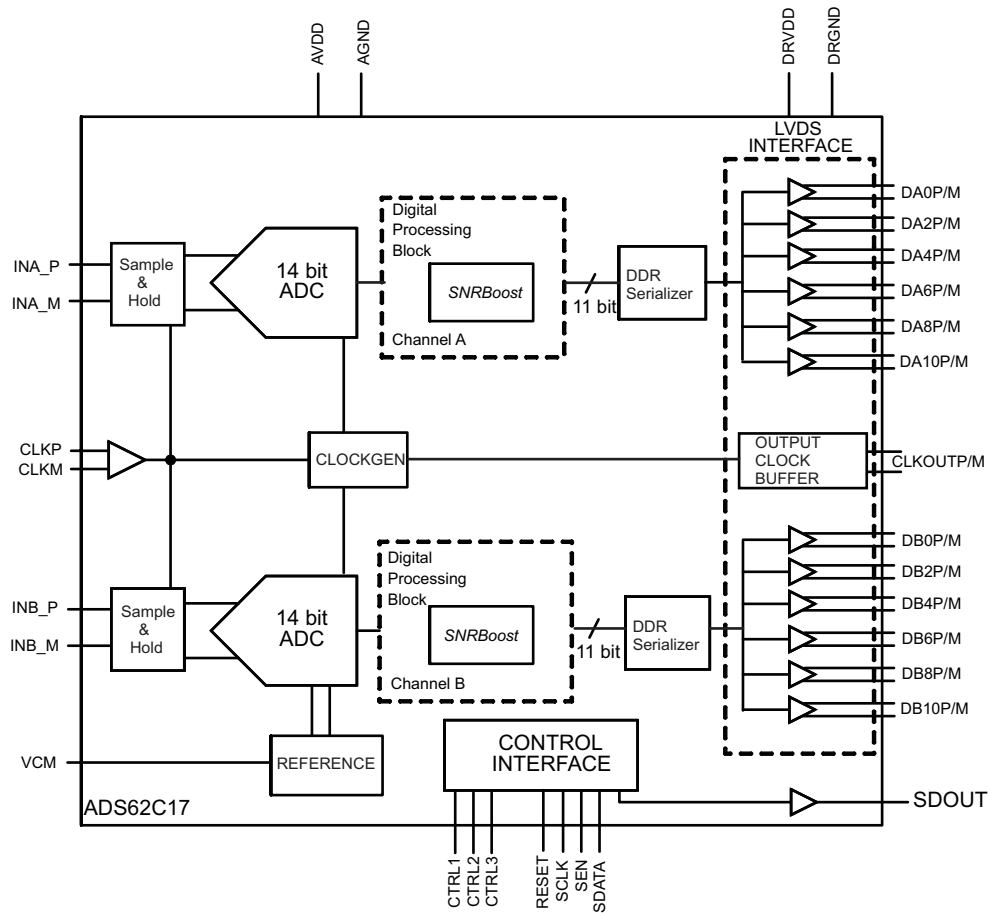


Figure 1. ADS62C17 Block Diagram

PACKAGE/ORDERING INFORMATION

PRODUCT	PACKAGE-LEAD	PACKAGE DESIGNATOR	SPECIFIED TEMPERATURE RANGE	PACKAGE MARKING	ORDERING NUMBER	TRANSPORT MEDIA, QUANTITY
ADS62C17	QFN-64	RGC	-40°C to 85°C	AZ62C17	ADS62C17IRGCR ADS62C17IRGCT	Tape and Reel

THERMAL CHARACTERISTICS⁽¹⁾

over operating free-air temperature range (unless otherwise noted)

PARAMETER	TEST CONDITIONS	TYP	UNIT
$R_{\theta JA}$ ⁽²⁾	Soldered thermal pad, no airflow	22	° C/W
	Soldered thermal pad, 200 LFM	15	
$R_{\theta JT}$ ⁽³⁾	Bottom of package (thermal pad)	0.57	

(1) With a JEDEC standard high K board and 5x5 via array. See Exposed Pad in the Application Information.

(2) $R_{\theta JA}$ is the thermal resistance from the junction to ambient.

(3) $R_{\theta JT}$ is the thermal resistance from the junction to the thermal pads.

ABSOLUTE MAXIMUM RATINGS⁽¹⁾

	VALUE	UNIT
Supply voltage range AVDD	-0.3 to 3.9	V
Supply voltage range DRVDD	-0.3 to 2.2	
Voltage between AGND and DRGND	-0.3 to 0.3	V
Voltage between AVDD to DRVDD (when AVDD leads DRVDD)	0 to 3.3	
Voltage between DRVDD to AVDD (when DRVDD leads AVDD)	-1.5 to 1.8	
Voltage applied to external pin, VCM (in external reference mode)	-0.3 to 2.0	V
Voltage applied to analog input pins – INP_A, INM_A, INP_B, INM_B	-0.3V to minimum (3.6, AVDD + 0.3V)	
Voltage applied to input pins – CLKP, CLKM ⁽²⁾ , RESET, SCLK, SDATA, SEN, CTRL1, CTRL2, CTRL3	-0.3V to ADD + 0.3V	
T_A Operating free-air temperature range	-40 to 85	°C
T_J Operating junction temperature range	125	°C
T_{stg} Storage temperature range	-54 to 150	°C
ESD, human body model	2	kV

(1) Stresses beyond those listed under “absolute maximum ratings” may cause permanent damage to the device. These are stress ratings only and functional operation of the device at these or any other conditions beyond those indicated under “recommended operating conditions” is not implied. Exposure to absolute maximum rated conditions for extended periods may affect device reliability.

(2) When AVDD is turned off, it is recommended to switch off the input clock (or ensure the voltage on CLKP, CLKM is < |0.3V|. This prevents the ESD protection diodes at the clock input pins from turning on.

RECOMMENDED OPERATING CONDITIONS⁽¹⁾

		MIN	TYP	MAX	UNIT
SUPPLIES					
AVDD	Analog supply voltage	3.15	3.3	3.8	V
DRVDD	Digital supply voltage	1.7	1.8	1.9	V
ANALOG INPUTS					
	Differential input voltage range		2		V _{PP}
	Input common-mode voltage		1.5 ± 0.1		V
	Voltage applied on CM in external reference mode		1.5 ± 0.05		V
	Maximum analog input frequency with 2V pp input amplitude ⁽¹⁾		500		MHz
	Maximum analog input frequency with 1V pp input amplitude ⁽¹⁾		800		MHz
CLOCK INPUT					
	Input clock sample rate	1		200	MSPS
	Input Clock amplitude differential (V _{CLKP} – V _{CLKM})				
	Sine wave, ac-coupled	0.2	3.0		V _{PP}
	LVPECL, ac-coupled		1.6		V _{PP}
	LVDS, ac-coupled		0.7		V _{PP}
	LVC MOS, single-ended, ac-coupled		3.3		V
	Input clock duty cycle	40%	50%	60%	
DIGITAL OUTPUTS					
C _L	Maximum external load capacitance from each output pin to DRGND		5		pF
R _L	Differential external load resistance between the LVDS output (LVDS interface)		100		Ω
T _A	Operating free-air temperature	–40		85	°C

(1) See [Theory of Operation](#) in the application section.

ELECTRICAL CHARACTERISTICS⁽¹⁾

Typical values are at 25°C, AVDD = 3.3V, DRVDD = 1.8V, sampling frequency = 200 MSPS, 50% clock duty cycle, –1dBFS differential analog input, internal reference mode, LVDS and CMOS interfaces unless otherwise noted.

Min and max values are across the full temperature range T_{MIN} = –40°C to T_{MAX} = 85°C, AVDD = 3.3V, DRVDD = 1.8V

PARAMETER		TEST CONDITIONS	MIN	TYP	MAX	UNIT
Resolution					11	bits
ANALOG INPUTS						
Differential input voltage range				2.0		V _{PP}
Differential input resistance (at dc)		See Figure 44		> 1		MΩ
Differential input capacitance		See Figure 45		3.5		pF
Analog input bandwidth				700		MHz
Analog input common mode current (per channel)				3.6		μA/MSPS
VCM common mode voltage output				1.5		V
VCM output current capability				±4		mA
POWER SUPPLY						
IAVDD	Analog supply current			262		mA
IDRVDD	Output buffer supply current LVDS interface	With 100 Ω external termination		120		mA
IDRVDD	Output buffer supply current CMOS interface	No external load capacitance		87		mA
Analog power				865	1025	mW
Digital power LVDS interface				216	306	mW
Global power down				45	75	mW
No missing codes				Assured		
DC ACCURACY						
DNL	Differential Non-Linearity	Fin = 170 MHz	-0.6	±0.2	0.6	LSB
INL	Integral Non-Linearity	Fin = 170 MHz	-2.5	±0.75	2.5	LSB
Offset Error			-20	±2	20	mV
Offset error temperature coefficient				0.02		mV/C
Offset error variation with supply				0.5		mV/V
There are two sources of gain error – internal reference inaccuracy and channel gain error						
Gain error due to internal reference inaccuracy alone			-1	±0.2	1	% FS
Gain error of channel alone ⁽²⁾			-1	+0.2	1	% FS
Channel gain error temperature coefficient				0.002		Δ%/°C
Gain matching ⁽³⁾	Difference in gain errors between two channels within the same device		-2		2	% FS
	Difference in gain errors between two channels across two devices		-4		4	

(1) In CMOS interface, the DRVDD current scales with the sampling frequency and the load capacitance on output pins.

(2) This is specified by design and characterization; it is not tested in production.

(3) For two channels within the same device, only the channel gain error matters, as the reference is common for both channels.

ELECTRICAL CHARACTERISTICS

Typical values are at 25°C, AVDD = 3.3V, DRVDD = 1.8V, sampling frequency = 200 MSPS, 50% clock duty cycle, –1dBFS differential analog input, internal reference mode, SNRBoost disabled, LVDS and CMOS interfaces unless otherwise noted. Min and max values are across the full temperature range T_{MIN} = –40°C to T_{MAX} = 85°C, AVDD = 3.3V, DRVDD = 1.8V

PARAMETER	TEST CONDITIONS		MIN	TYP	MAX	UNIT
SNR Signal to noise ratio LVDS	Fin = 20 MHz		67			dBFS
	Fin = 70 MHz		66.8			
	Fin = 170 MHz	0 dB gain	64.5	66.3		
		6 dB gain	64.4			

Table 1. SNR Enhancement With SNRBoost Enabled

SNRBoost bath-tub centered at Fsx0.25, –1 dBFS input applied at Fin = 125MHz, Sampling frequency = 200MSPS						
Bandwidth, MHz	SNR Within Specified bandwidth, dBFS					
	In Default Mode (SNRBoost Disabled)			With SNRBoost Enabled ⁽¹⁾		
	MIN	TYP	MAX	MIN	TYP	MAX
5	78.8	79.6		83	85.6	
10	75.8	76.6		80	82.6	
15	74	74.9		78.2	80.9	
20	72.7	73.6		77	79.6	
30	71	71.9		74.4	76.4	
40	69.8	70.6		72.7	74.5	

(1) Using recommended SNRBoost coefficients. See note on SNRBoost in application section.

ELECTRICAL CHARACTERISTICS

Typical values are at 25°C, AVDD = 3.3V, DRVDD = 1.8V, sampling frequency = 200 MSPS, 50% clock duty cycle, –1dBFS differential analog input, internal reference mode, SNRBoost disabled, 0dB gain, LVDS and CMOS interfaces unless otherwise noted.

Min and max values are across the full temperature range $T_{MIN} = -40^{\circ}\text{C}$ to $T_{MAX} = 85^{\circ}\text{C}$, AVDD = 3.3V, DRVDD = 1.8V

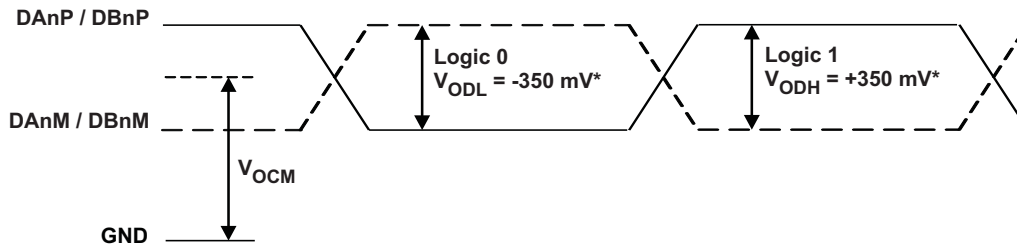
PARAMETER	TEST CONDITIONS	MIN	TYP	MAX	UNIT
SINAD Signal to Noise and Distortion Ratio	Fin= 20 MHz			66.9	dBFS
	Fin = 70 MHz			66.6	
	Fin = 170 MHz	0 dB gain	63.5	65.7	
		6 dB gain			
SFDR Spurious Free Dynamic Range	Fin= 20 MHz			85	dBc
	Fin = 70 MHz			83	
	Fin = 170 MHz	0 dB gain	73	78	
		6 dB gain			
THD Total Harmonic Distortion	Fin= 20 MHz			83	dBc
	Fin = 70 MHz			81	
	Fin = 170 MHz	0 dB gain	71.5	75.5	
		6 dB gain			
HD2 Second Harmonic Distortion	Fin= 20 MHz			94	dBc
	Fin = 70 MHz			90	
	Fin = 170 MHz	0 dB gain	73	83	
		6 dB gain			
HD3 Third Harmonic Distortion	Fin= 20 MHz			85	dBc
	Fin = 70 MHz			83	
	Fin = 170 MHz	0 dB gain	73	78	
		6 dB gain			
Worst Spur Other than second, third harmonics	Fin= 20 MHz			94	dBc
	Fin = 70 MHz			92	
	Fin = 170 MHz	80	90		
IMD 2-Tone Inter-modulation Distortion	F1 = 185 MHz, F2 = 190 MHz, Each tone at –7 dBFS			87	dBFS
Input Overload recovery	Recovery to within 1% (of final value) for 6-dB overload with sine wave input at Fclk/4			1	clock cycles
Cross-talk	Up to 200 MHz cross-talk frequency			90	dB
PSRR AC Power Supply Rejection Ratio	For 100 mV pp signal on AVDD supply			25	dB

DIGITAL CHARACTERISTICS — ADS62C17

The DC specifications refer to the condition where the digital outputs are not switching, but are permanently at a valid logic level 0 or 1. AVDD = 3.3V, DRVDD = 1.8V

PARAMETER		TEST CONDITIONS	MIN	TYP	MAX	UNIT
DIGITAL INPUTS – CTRL1, CTRL2, CTRL3, RESET, SCLK, SDATA, SEN ⁽¹⁾						
High-level input voltage		All digital inputs support 1.8 V and 3.3 V CMOS logic levels.	1.3			V
Low-level input voltage			0.4			
High-level input current	SDATA, SCLK ⁽²⁾	V _{HIGH} = 3.3 V	16			μA
	SEN ⁽³⁾	V _{HIGH} = 3.3 V	10			
Low-level input current	SDATA, SCLK	V _{LOW} = 0 V	0			μA
	SEN	V _{LOW} = 0 V	-20			
Input capacitance			4			pF
DIGITAL OUTPUTS – CMOS INTERFACE (DA0-DA10, DB0-DB10, CLKOUT, SDOU)						
High-level output voltage	loh = 1mA		DRVDD – 0.1		DRVDD	V
Low-level output voltage	lol = 1mA		0	0.1		V
Output capacitance (internal to device)			2			pF
DIGITAL OUTPUTS – LVDS INTERFACE (DA0P/M TO DA10P/M, DB0P/M TO DB10P/M, CLKOUTP/M)						
VODH, High-level output differential voltage		With external 100 Ω termination	+275	+350	+425	mV
VODL, Low-level output differential voltage		With external 100 Ω termination.	-425	-350	-275	mV
VOCM, Output common-mode voltage			1.0	1.15	1.40	V
Output Capacitance		Capacitance inside the device from each output to ground	2			pF

- (1) SCLK, SDATA, SEN function as digital input pins in serial configuration mode.
- (2) SDATA, SCLK have internal 200 kΩ pull-down resistor
- (3) SEN has internal 100 kΩ pull-up resistor to AVDD.



* With external 100 Ω termination

Figure 2. LVDS Output Voltage Levels

TIMING CHARACTERISTICS — LVDS AND CMOS MODES⁽¹⁾

Typical values are at 25°C, AVDD = 3.3V, DRVDD = 1.8V, sampling frequency = 200 MSPS, sine wave input clock, C_{LOAD} = 5pF⁽²⁾, R_{LOAD} = 100 Ω⁽³⁾, no internal termination, LOW SPEED mode disabled, unless otherwise noted.

Min and max values are across the full temperature range T_{MIN} = –40°C to T_{MAX} = 85°C, AVDD = 3.3V, DRVDD = 1.7V to 1.9V.

PARAMETER	TEST CONDITIONS	MIN	TYP	MAX	UNIT
t _a	Aperture delay	0.7	1.2	1.7	ns
	Aperture delay matching	between two channels of the same device		±50	ps
t _j	Aperture jitter			145	fs rms
Wake-up time	Time to valid data after coming out of STANDBY mode			1	3
	Time to valid data after coming out of global powerdown			20	50
	Time to valid data after stopping and restarting the input clock			10	
ADC Latency ⁽⁴⁾	Default, after reset			22	Clock cycles
DDR LVDS MODE⁽⁵⁾					
t _{SU}	Data setup time ⁽⁶⁾	Data valid ⁽⁷⁾ to zero-crossing of CLKOUTP		0.8	1.15
t _H	Data hold time ⁽⁷⁾	Zero-crossing of CLKOUTP to data becoming invalid ⁽⁷⁾		0.8	1.15
t _{PDI}	Clock propagation delay	Input clock falling edge cross-over to output clock rising edge cross-over		t _{PDI} = 0.69xTs + t _{delay}	
t _{delay}		100 MSPS ≤ Sampling frequency ≤ 200 MSPS Ts = 1/Sampling frequency		4.2	5.7
t _{delay skew}		Difference in t _{delay} , between two devices operating at same temperature & SVDD supply voltage.		±500	
	LVDS bit clock duty cycle	Duty cycle of differential clock, (CLKOUTP-CLKOUTM) 100 MSPS ≤ Sampling frequency ≤ 200 MSPS		52%	
t _{RISE} , t _{FALL}	Data rise time, Data fall time	Rise time measured from –100 mV to +100 mV Fall time measured from +100 mV to –100 mV 1 MSPS ≤ Sampling frequency ≤ 200 MSPS		0.14	
t _{CLKRISE} , t _{CLKFALL}	Output clock rise time, Output clock fall time	Rise time measured from –100 mV to +100 mV Fall time measured from +100 mV to –100 mV 1 MSPS ≤ Sampling frequency ≤ 200 MSPS		0.14	
t _{OE}	Output buffer enable to data delay	Time to valid data after output buffer becomes active		100	
PARALLEL CMOS MODE at Fs=200 MSPS⁽⁸⁾					
t _{START}	Input clock to data delay	Input clock falling edge cross-over to start of data valid ⁽⁷⁾		2.5	
t _{DV}	Data valid time	Time interval of valid data ⁽⁷⁾		1.7	
t _{PDI}	Clock propagation delay	Input clock falling edge cross-over to output clock rising edge cross-over		t _{PDI} = 0.28xTs + t _{delay}	
t _{delay}		100 MSPS ≤ Sampling frequency ≤ 150 MSPS Ts = 1/Sampling frequency		5.5	7.5
	Output clock duty cycle	Duty cycle of output clock, CLKOUT 100 MSPS ≤ Sampling frequency ≤ 150 MSPS		43	
t _{RISE} , t _{FALL}	Data rise time, Data fall time	Rise time measured from 20% to 80% of DRVDD Fall time measured from 80% to 20% of DRVDD 1 ≤ Sampling frequency ≤ 200 MSPS		1.2	
t _{CLKRISE} , t _{CLKFALL}	Output clock rise time, Output clock fall time	Rise time measured from 20% to 80% of DRVDD Fall time measured from 80% to 20% of DRVDD 1 ≤ Sampling frequency ≤ 150 MSPS		0.8	
t _{OE}	Output buffer enable (OE) to data delay	Time to valid data after output buffer becomes active		100	

(1) Timing parameters are ensured by design and characterization and not tested in production.

(2) C_{LOAD} is the effective external single-ended load capacitance between each output pin and ground

(3) R_{LOAD} is the differential load resistance between the LVDS output pair.

(4) At higher frequencies, t_{PDI} is greater than one clock period and overall latency = ADC latency + 1.

(5) Measurements are done with a transmission line of 100Ω characteristic impedance between the device and the load.

Setup and hold time specifications take into account the effect of jitter on the output data and clock.

(6) Data valid refers to LOGIC HIGH of +100.0mV and LOGIC LOW of -100.0mV.

(7) Data valid refers to LOGIC HIGH of 1.26V and LOGIC LOW of 0.54V.

(8) For Fs > 150 MSPS, it is recommended to use external clock for data capture and NOT the device output clock signal (CLKOUT).

Table 2. LVDS Timings at Lower Sampling Frequencies

Sampling Frequency, MSPS	Setup Time, ns			Hold Time, ns		
	MIN	TYP	MAX	MIN	TYP	MAX
185	0.9	1.25		0.85	1.25	
150	1.15	1.6		1.1	1.5	
125	1.6	2		1.45	1.85	
<100 Enable LOW SPEED mode	2			2		
$1 \leq F_s \leq 100$ Enable LOW SPEED mode				t_{PD1} , ns		
				MIN	TYP	MAX
					12.6	

Table 3. CMOS Timings at Lower Sampling Frequencies

Sampling Frequency, MSPS	Timings Specified With Respect to Input Clock					
	t_{START} , ns			Data Valid Time, ns		
	MIN	TYP	MAX	MIN	TYP	MAX
190			1.9	2	3	
170			0.9	2.7	3.7	
150			6	3.6	4.6	
Sampling Frequency, MSPS	Timings Specified With Respect to CLKOUT					
	Setup Time, ns			Hold Time, ns		
	MIN	TYP	MAX	MIN	TYP	MAX
150	2.8	4.4		0.5	1.2	
125	3.8	5.4		0.8	1.5	
<100 Enable LOW SPEED mode	5			1.2		
$1 \leq F_s \leq 100$ Enable LOW SPEED mode				t_{PD1} , ns		
				MIN	TYP	MAX
					9	

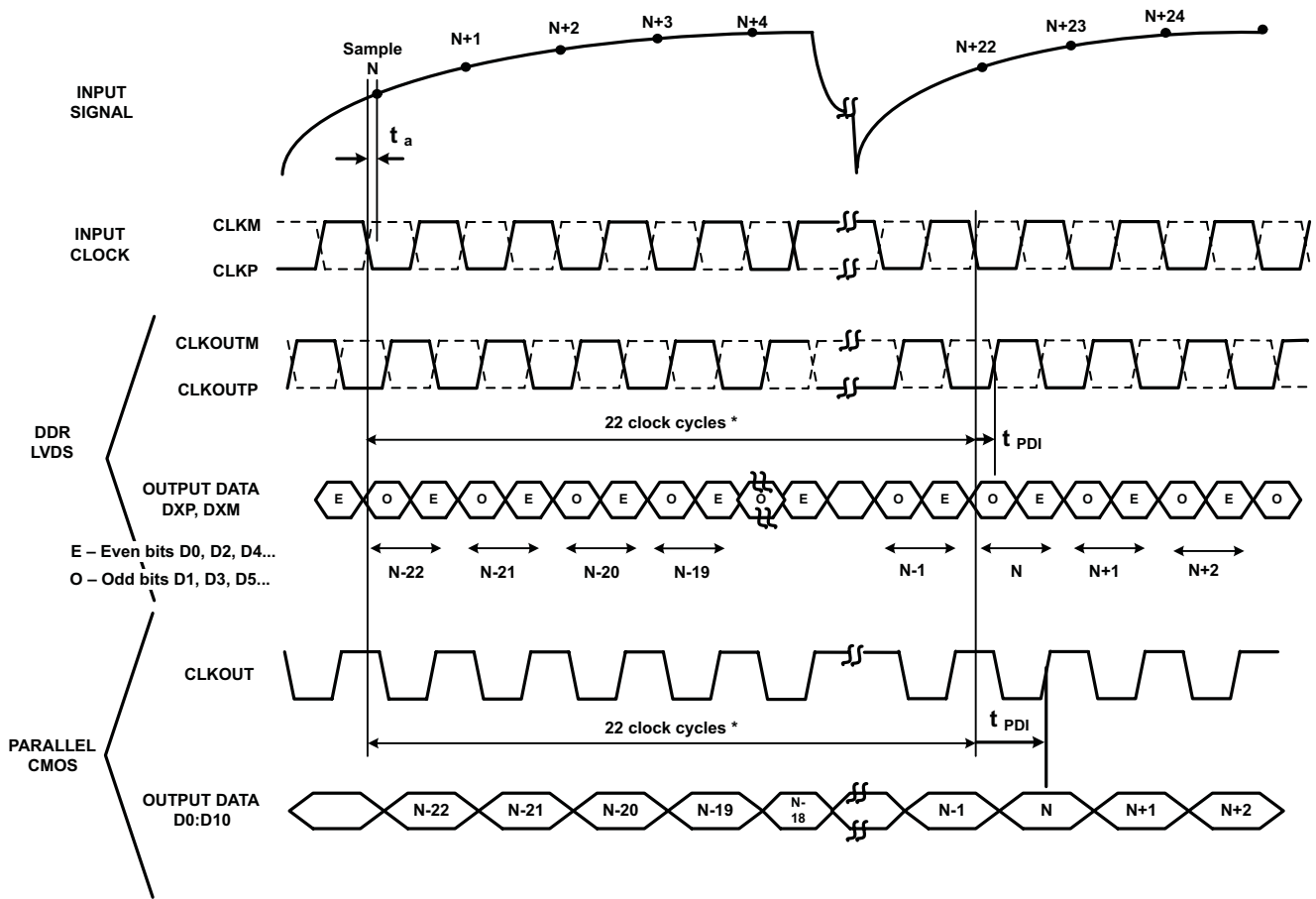


Figure 3. Latency Diagram

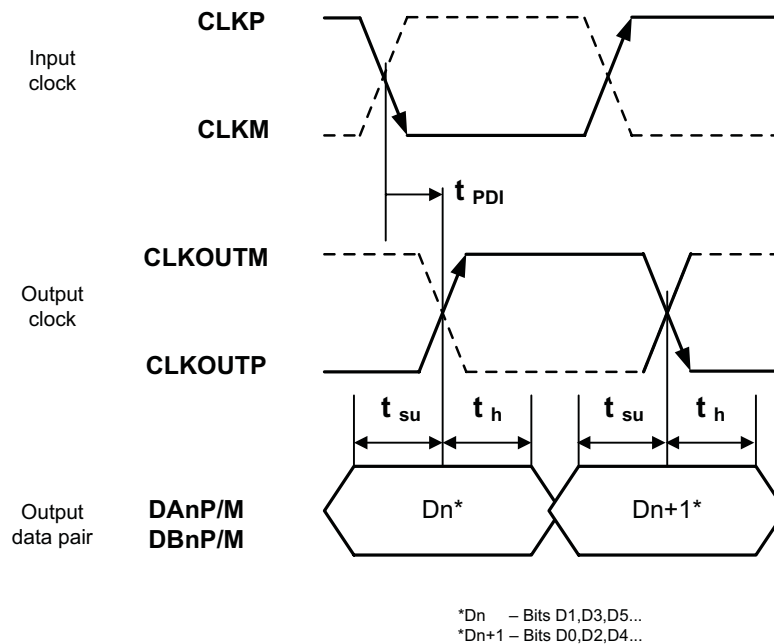
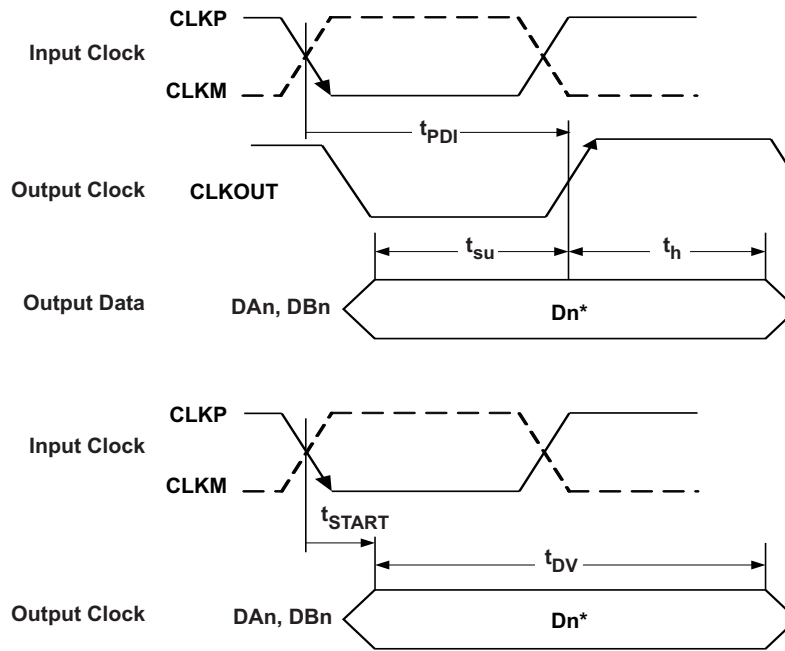


Figure 4. LVDS Interface Timing



*Dn - Bits D0, D1, D2...of channel A and B

Figure 5. CMOS Interface Timing

DEVICE CONFIGURATION

ADS62C17 can be configured independently using either parallel interface control or serial interface programming.

PARALLEL CONFIGURATION ONLY

To put the device in parallel configuration mode, keep RESET tied to **high** (AVDD).

Now, pins SEN, SCLK, CTRL1, CTRL2 and CTRL3 can be used to directly control certain modes of the ADC. The device can be easily configured by connecting the parallel pins to the correct voltage levels (as described in Table 3 to Table 6. There is no need to apply reset and SDATA can be kept low.

In this mode, SEN and SCLK function as parallel interface control pins. Frequently used functions can be controlled in this mode – Power down modes, internal/external reference, selection between LVDS/CMOS interface and output data format.

Table 4 has a brief description of the modes controlled by the four parallel pins.

Table 4. PARALLEL PIN DEFINITION

PIN		CONTROLS MODES
SCLK	Analog control pins (controlled by analog voltage level, see Figure 5)	Internal or External reference
SEN		LVDS/CMOS interface and Output Data Format
CTRL1	Digital control pints (controlled by digital logic levels)	Control SNRBoost, Standby and MUX mode.
CTRL2		
CTRL3		

SERIAL INTERFACE CONFIGURATION ONLY

To exercise this mode, first the serial registers have to be reset to their default values and RESET pin has to be kept **low**.

SEN, SDATA and SCLK function as serial interface pins in this mode and can be used to access the internal registers of the ADC.

The registers can be reset either by applying a pulse on RESET pin or by setting the <RESET> bit **high**. The serial interface section describes the register programming and register reset in more detail.

USING BOTH SERIAL INTERFACE and PARALLEL CONTROLS

For increased flexibility, a combination of serial interface registers and parallel pin controls (CTRL1 to CTRL3) can also be used to configure the device. To allow this, keep RESET low. The parallel interface control pins CTRL1 to CTRL3 are available. After power-up, the device will automatically get configured as per the voltage settings on these pins (Table 6). SEN, SDATA, and SCLK function as serial interface digital pins and are used to access the internal registers of ADC. The registers must first be reset to their default values either by applying a pulse on RESET pin or by setting bit <RST> = 1. After reset, the RESET pin must be kept low. The serial interface section describes the register programming and register reset in more detail.

DETAILS OF PARALLEL CONFIGURATION ONLY

The functions controlled by each parallel pin are described below. A simple way of configuring the parallel pins is shown in [Figure 6](#).

Table 5. SCLK Control Pin

SCLK	DESCRIPTION
0 +200mV/-0mV	Internal reference
(3/8)AVDD ±200mV	External reference
(5/8)2AVDD ±200mV	External reference
AVDD +0mV/-200mV	Internal reference

Table 6. SEN Control Pin

SEN	DESCRIPTION
0 +200mV/-0mV	Offset binary and DDR LVDS output
(3/8)AVDD ±200mV	2's complement format and DDR LVDS output
(5/8)2AVDD ±200mV	2's complement format and parallel CMOS output
AVDD +0mV/-200mV	Offset binary and parallel CMOS output

Table 7. CTRL1, CTRL2 and CTRL3 Pins

CTRL1	CTRL2	CTRL3	DESCRIPTION
LOW	LOW	LOW	Normal operation
LOW	LOW	HIGH	SNRBoost enabled for Channel B ⁽¹⁾
LOW	HIGH	LOW	SNRBoost enabled for Channel A ⁽¹⁾
LOW	HIGH	HIGH	SNRBoost enabled for Channel A and B ⁽¹⁾
HIGH	LOW	LOW	Global power down
HIGH	LOW	HIGH	Channel B standby

(1) To enable & disable SNRBoost mode using the CTRL pins, reset the register bits <SNRBoost Enable - CHA> = 0 & <SNRBoost Enable - CHB> = 0.

Table 7. CTRL1, CTRL2 and CTRL3 Pins (continued)

CTRL1	CTRL2	CTRL3	DESCRIPTION
HIGH	HIGH	LOW	Channel A standby
HIGH	HIGH	HIGH	MUX mode of operation, Channel A and B data is multiplexed and output on DA10 to DA0 pins.

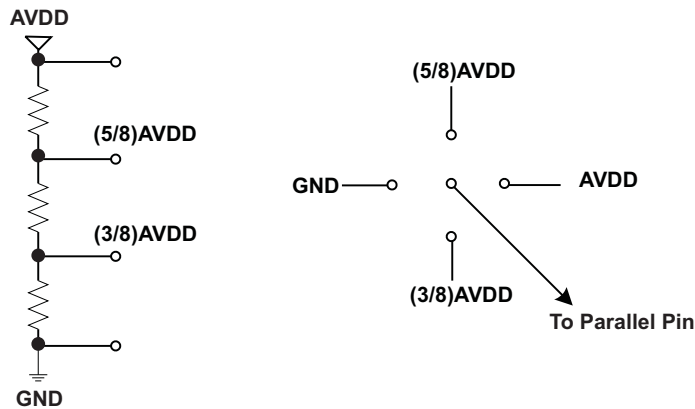


Figure 6. Simple Scheme to Configure Parallel Pins

SERIAL INTERFACE

The ADC has a set of internal registers, which can be accessed by the serial interface formed by pins SEN (Serial interface Enable), SCLK (Serial Interface Clock) and SDATA (Serial Interface Data).

Serial shift of bits into the device is enabled when SEN is low. Serial data SDATA is latched at every falling edge of SCLK when SEN is active (low). The serial data is loaded into the register at every 16th SCLK falling edge when SEN is low. In case the word length exceeds a multiple of 16 bits, the excess bits are ignored. Data can be loaded in multiple of 16-bit words within a single active SEN pulse.

The first 8 bits form the register address and the remaining 8 bits are the register data. The interface can work with SCLK frequency from 20 MHz down to very low speeds (few Hertz) and also with non-50% SCLK duty cycle.

Register Initialization (when using serial interface only)

After power-up, the internal registers MUST be initialized to their default values. This can be done in one of two ways:

1. Either through hardware reset by applying a high-going pulse on RESET pin (of width greater than 10 ns) as shown in [Figure 7](#)
- OR
2. By applying software reset. Using the serial interface, set the <RESET> bit (D7 in register 0x00) to HIGH. This initializes internal registers to their default values and then self-resets the <RESET> bit to **low**. In this case the RESET pin is kept **low**.

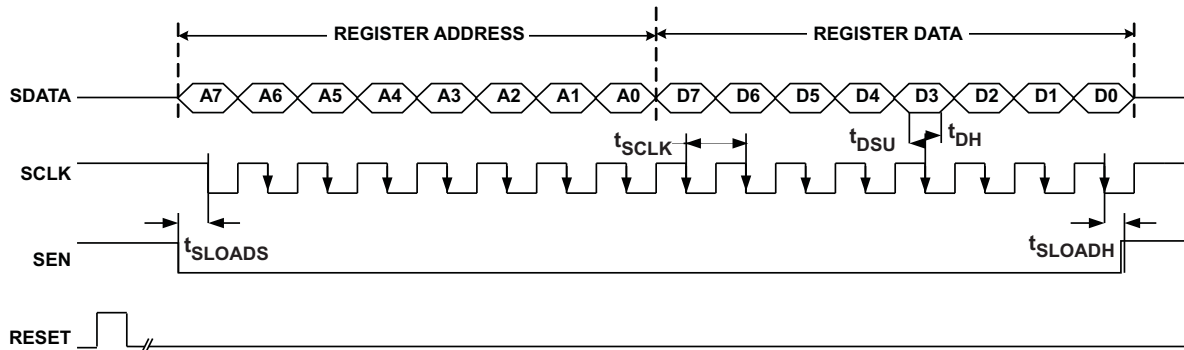


Figure 7. Serial Interface Timing

SERIAL INTERFACE TIMING CHARACTERISTICS

Typical values at 25°C, min and max values across the full temperature range $T_{MIN} = -40^{\circ}\text{C}$ to $T_{MAX} = 85^{\circ}\text{C}$, $AVDD = 3.3\text{V}$, $DRVDD = 1.8\text{V}$, unless otherwise noted.

PARAMETER		MIN	TYP	MAX	UNIT
f_{SCLK}	SCLK frequency ($= 1 / t_{SCLK}$)	>DC		20	MHz
t_{SLOADS}	SEN to SCLK setup time	25			ns
t_{SLOADH}	SCLK to SEN hold time	25			ns
t_{DS}	SDATA setup time	25			ns
t_{DH}	SDATA hold time	25			ns

Serial Register Readout

The device includes an option where the contents of the internal registers can be read back. This may be useful as a diagnostic check to verify the serial interface communication between the external controller and the ADC.

- First, set register bit <SERIAL READOUT> = 1 to put the device in serial readout mode. This disables any further writes into the registers, EXCEPT the register at address 0. Note that the <SERIAL READOUT> bit is also located in register 0. The device can exit readout mode by writing <SERIAL READOUT> to 0. Also, only contents of register at address 0 cannot be read in the register readout mode.
- Initiate a serial interface cycle specifying the address of the register (A7–A0) whose content has to be read.
- The device outputs the contents (D7–D0) of the selected register on the SDOUT pin.
- The external controller can latch the contents at the falling edge of SCLK.
- To exit the serial readout mode, reset register bit <SERIAL READOUT> = 0, which enables writes into all registers of the device.

The serial register readout works with both CMOS and LVDS interfaces.

When <SERIAL READOUT> is disabled, SDOUT pin is forced low by the device (and not put in high-impedance). If serial readout is not used, SDOUT pin has to be floated.

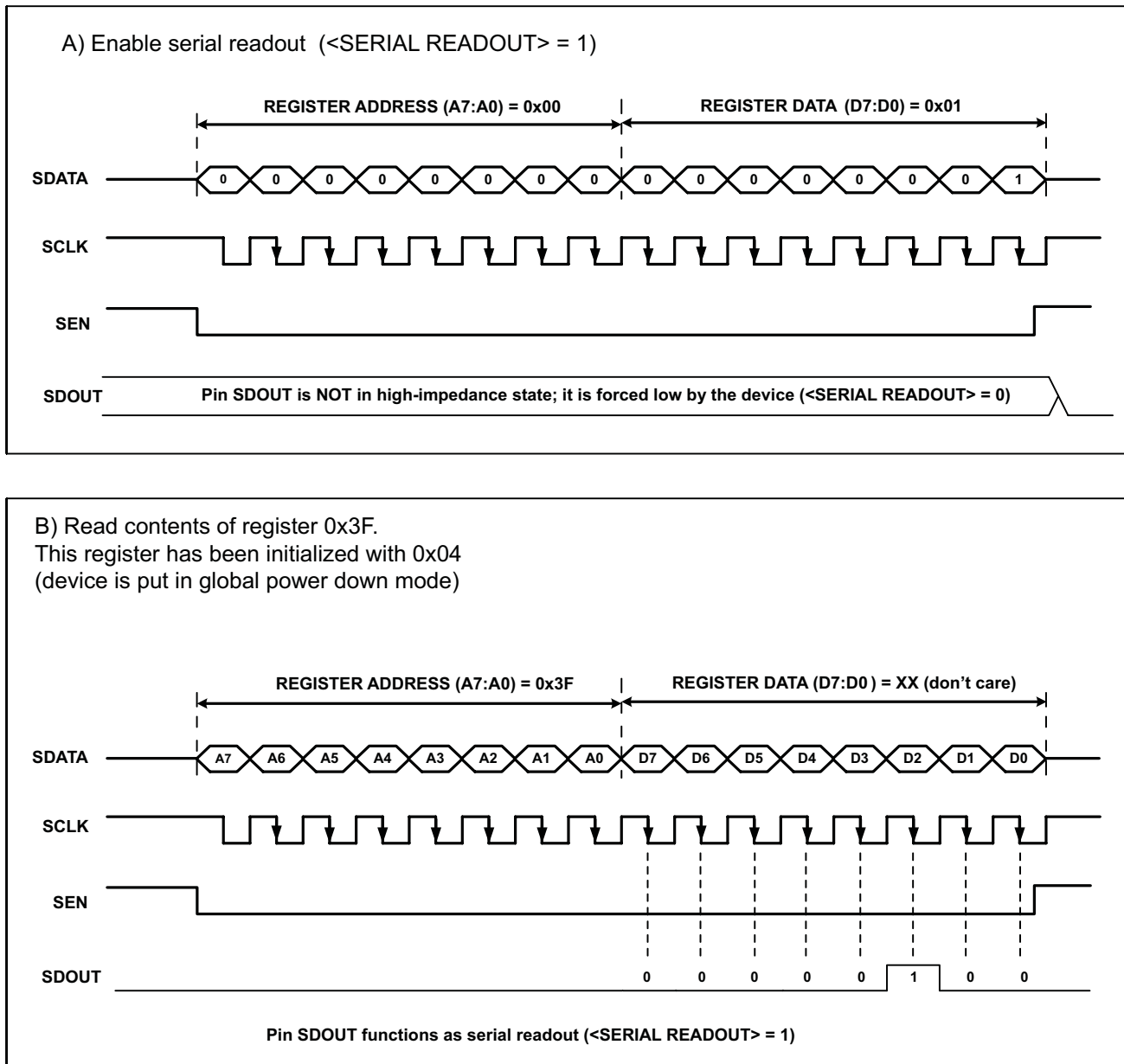


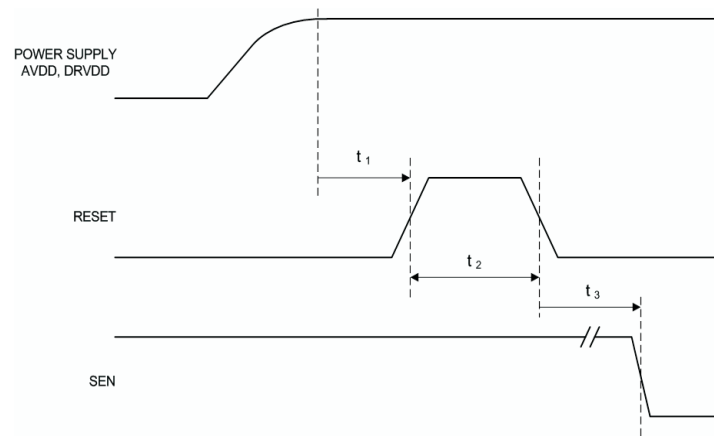
Figure 8. Serial Readout

RESET TIMING (WHEN USING SERIAL INTERFACE ONLY)

Typical values at 25°C, min and max values across the full temperature range $T_{MIN} = -40^{\circ}C$ to $T_{MAX} = 85^{\circ}C$, unless otherwise noted.

PARAMETER	CONDITIONS	MIN	TYP	MAX	UNIT
t_1 Power-on delay	Delay from power-up of AVDD and DRVDD to RESET pulse active	1			ns
t_2 Reset pulse width	Pulse width of active RESET signal	10			ns
				1 ⁽¹⁾	μs
t_3 Register write delay	Delay from RESET disable to SEN active	100			ns

(1) The reset pulse is needed only when using the serial interface configuration. If the pulse width is greater than 1usec, the device could enter the parallel configuration mode briefly and then return back to serial interface mode.



NOTE: A high-going pulse on RESET pin is required in serial interface mode in case of initialization through hardware reset. For parallel interface operation, RESET has to be tied permanently HIGH.

Figure 9. Reset Timing Diagram

SERIAL REGISTER MAP

Table 8. Summary of Functions Supported by Serial Interface⁽¹⁾

REGISTER ADDRESS	REGISTER FUNCTIONS							
A7 - A0 IN HEX	D7	D6	D5	D4	D3	D2	D1	D0
00	<RESET> Software Reset	0	0	0	0	0	0	<SERIAL READOUT>
20	0	0	0	0	0	<ENABLE LOW SPEED mode>	0	0
3F	0	<REF> Internal or external reference		0	0	0	<STAND BY>	0
40	0	0	0	0	<POWER DOWN MODES>			
41	<LVDS CMOS> Output interface	0	0	0	0	0	0	0
44	<CLKOUT EDGE CONTROL>						0	0
50	0	<ENABLE INDEPENDENT CHANNEL CONTROL>	0	0	0	<DATA FORMAT> 2s comp or offset binary		0
51	<CUSTOM PATTERN LOW>					0	0	0
52	0	0	<CUSTOM PATTERN HIGH>					
53	0	<OFFSET CORRECTION ENABLE – Common/Ch A>	0					
55	<GAIN PROGRAMMABILITY – Common/Ch A> 0 to 6 dB in 0.5 dB steps				<OFFSET CORRECTION TIME CONSTANT – Common/ Ch A >			
56	<SNRBoost Coeff 1 – Common/ Ch A >				<SNRBoost Coeff 2 – Common/ Ch A >			
57	0	<FINE GAIN ADJUST – Common/ Ch A > +0.001 dB to +0.134 dB, in 128 steps						
59	0	0	0	0	0	0	0	<SNRBoost Enable – Common/ Ch A >
62	0	0	0	0	0	<TEST PATTERNS - Common/ Ch A >		
63	0	0	<OFFSET PEDESTAL – Common/ Ch A >					
66	0	<OFFSET CORRECTION ENABLE– Ch B>	0	0	0	0	0	0
68	<GAIN PROGRAMMABILITY – Ch B> 0 to 6 dB in 0.5 dB steps				<OFFSET CORRECTION TIME CONSTANT – Ch B>			
69	<SNRBoost Coeff 1 – Ch B>				<SNRBoost Coeff 2 – Ch B>			
6A	0	<FINE GAIN ADJUST – Ch B> +0.001 dB to +0.134 dB, in 128 steps						
6C	0	0	0	0	0	0	0	<SNRBoost Enable – Ch B>
75	0	0	0	0	0	<TEST PATTERNS - Ch B>		
76	0	0	<OFFSET PEDESTAL – Ch B>					

(1) Multiple functions in a register can be programmed in a single write operation.

DESCRIPTION OF SERIAL REGISTERS

A7 – A0 IN HEX	D7	D6	D5	D4	D3	D2	D1	D0
00	<RESET> <i>Software Reset</i>	0	0	0	0	0	0	<SERIAL READOUT>

D7 <RESET>

- 1 Software reset applied – resets all internal registers and self-clears to 0.

D0 <SERIAL READOUT>

- 0 Serial readout disabled. SDOUT is forced high or low by the device (and not out in high impedance state).
- 1 Serial readout enabled, Pin SDOUT functions as serial data readout. This mode is available only with CMOS output interface. With LVDS interface, pin 56 becomes CLKOUTM.

A7 – A0 IN HEX	D7	D6	D5	D4	D3	D2	D1	D0
20	0	0	0	0	0	<ENABLE LOW SPEED MODE>	0	0

D2 <ENABLE LOW SPEED MODE>

- 0 LOW SPEED mode disabled. Use for sampling frequency > 100 MSPS.
- 1 Enable LOW SPEED mode for sampling frequencies <= 100 MSPS.

A7 – A0 IN HEX	D7	D6	D5	D4	D3	D2	D1	D0
3F	0	<REF>		0	0	0	<STANDBY>	0

D6-D5 <REF> Internal or external reference selection

- 01 Internal reference enabled
- 11 External reference enabled

D1 <STANDBY>

- 0 Normal operation
- 1 ADC is powered down for both channels. Internal references, output buffers are active. This results in quick wake-up time from standby.

A7 – A0 IN HEX	D7	D6	D5	D4	D3	D2	D1	D0
40	0	0	0	0	POWER DOWN MODES			

D3-D0 <POWER DOWN MODES>

0000 Pins CTRL1, CTRL2 & CTRL3 determine power down modes.

1000 Normal operation

1001 Output buffer disabled for channel B

1010 Output buffer disabled for channel A

1011 Output buffer disabled for channel A and B

1100 Global power down

1101 Channel B standby

1110 Channel A standby

1111 Multiplexed mode, **MUX–** (only with CMOS interface)

Channel A and B data is multiplexed and output on DA10 to DA0 pins.

A7 – A0 IN HEX	D7	D6	D5	D4	D3	D2	D1	D0
41	<LVDS CMOS>	0	0	0	0	0	0	0

D7 <LVDS CMOS>

0 Parallel CMOS interface

1 DDR LVDS interface

A7 – A0 IN HEX	D7	D6	D5	D4	D3	D2	D1	D0
44	<CLKOUT EDGE CONTROL> <i>Output clock edge control</i>						0	0

LVDS Interface
D7-D5 <CLKOUT POSN> Output clock rising edge position

000, 100 Default output clock position (refer to timing specification table)

101 Rising edge shifted by + (4/26)Ts

110 Rising edge aligned with data transition

111 Rising edge shifted by – (4/26)Ts

D4-D2 <CLKOUT POSN> Output clock falling edge position

000, 100 Default output clock position (refer to timing specification table)

101 Falling edge shifted by + (4/26)Ts

110 Falling edge aligned with data transition

111 Falling edge shifted by – (4/26)Ts

CMOS Interface
D7-D5 <CLKOUT POSN> Output clock rising edge position

000, 100 Default output clock position (refer to timing specification table)

101 Rising edge shifted by + (4/26)Ts

110 Rising edge shifted by – (6/26)Ts

111 Rising edge shifted by – (4/26)Ts

D4-D2 <CLKOUT POSN> Output clock falling edge position

000, 100 Default output clock position (refer to timing specification table)

101 Falling edge shifted by + (4/26)Ts

110 Falling edge shifted by – (6/26)Ts

111 Falling edge shifted by – (4/26)Ts

A7 – A0 IN HEX	D7	D6	D5	D4	D3	D2	D1	D0
50	0	<ENABLE INDEPENDENT CHANNEL CONTROL>	0	0	0	<DATA FORMAT> <i>2s complement or offset binary 0</i>		0

D6 <ENABLE INDEPENDENT CHANNEL CONTROL>

0 **Common control** – both channels use common control settings for test patterns, offset correction, gain, gain correction and SNRBoost functions. These settings can be specified in a single set of registers.

1 **Independent control** – both channels can be programmed with independent control settings for test patterns, offset correction and SNRBoost functions. Separate registers are available for each channel.

D2-D1 <DATA FORMAT>

10 2s complement

11 Offset binary

A7 – A0 IN HEX	D7	D6	D5	D4	D3	D2	D1	D0
51	<Custom Pattern Low>					0	0	0
52	0	0	<Custom Pattern High>					

D7-D3 <CUSTOM LOW>

5 lower bits of custom pattern available at the output instead of ADC data

D5-D0 <CUSTOM HIGH>

6 upper bits of custom pattern available at the output instead of ADC data

A7 – A0 IN HEX	D7	D6	D5	D4	D3	D2	D1	D0
53	0	<OFFSET CORRECTION ENABLE – Common/Ch A> <i>Offset correction enable</i>	0	0	0	0	0	0

D6 <OFFSET CORRECTION ENABLE – Common/Ch A>

Offset correction enable control for both channels (*with common control*) or for channel A only (*with independent control*).

- 0 Offset correction disabled
- 1 Offset correction enabled

See [Offset Correction](#)

A7 – A0 IN HEX	D7	D6	D5	D4	D3	D2	D1	D0
55	<GAIN PROGRAMMABILITY – Common/Ch A>				<OFFSET CORR TIME CONSTANT – Common/Ch A> <i>Offset correction time constant</i>			

D7-D4 <GAIN PROGRAMMABILITY – Common/Ch A>

Gain control for both channels (with common control) or for channel A only (with independent control).

0000	0 dB gain, default after reset
0001	0.5 dB gain
0010	1.0 dB gain
0011	1.5 dB gain
0100	2.0 dB gain
0101	2.5 dB gain
0110	3.0 dB gain
0111	3.5 dB gain
1000	4.0 dB gain
1001	4.5 dB gain
1010	5.0 dB gain
1011	5.5 dB gain
1100	6.0 dB gain

D3-D0 <OFFSET CORR TIME CONSTANT – Common/Ch A>

Correction loop time constant in number of clock cycles.

Applies to both channels (with common control) or for channel A only (with independent control).

0000	256 k
0001	512 k
0010	1 M
0011	2 M
0100	4 M
0101	8 M
0110	16 M
0111	32 M
1000	64 M
1001	128 M
1010	256 M
1011	512 M

A7 – A0 IN HEX	D7	D6	D5	D4	D3	D2	D1	D0
56	<SNRBoost Coeff 1 – Common/CH A>				<SNRBoost Coeff 2 – Common/CH A>			

See [SNR enhancement using SNRBoost](#)

A7 – A0 IN HEX	D7	D6	D5	D4	D3	D2	D1	D0
57	0	<FINE GAIN ADJUST – Common/Ch A> +0.001 dB to +0.134 dB, in 128 steps						

Using the FINE GAIN ADJUST register bits, the channel gain can be trimmed in fine steps. The trim is only additive, has 128 steps & a range of 0.134dB. The relation between the FINE GAIN ADJUST bits & the trimmed channel gain is:

$$\Delta \text{ Channel Gain} = 20 \times \log_{10}[1 + (\text{FINE GAIN ADJUST}/8192)]$$

Note that the total device gain = ADC gain + Δ Channel gain. The ADC gain is determined by register bits <GAIN PROGRAMMABILITY>

A7 – A0 IN HEX	D7	D6	D5	D4	D3	D2	D1	D0
59	0	0	0	0	0	0	0	<SNRBoost Enable – CH A>

D0 <SNRBoost Enable – CH A>

SNRBoost control for both channels (*with common control*) or for channel A only (*with independent control*).

- 0 SNRBoost disabled
- 1 SNRBoost enabled

A7 – A0 IN HEX	D7	D6	D5	D4	D3	D2	D1	D0
62	0	0	0	0	0	<TEST PATTERNS>		

D2-D0 <TEST PATTERNS> Test Patterns to verify data capture.

Applies to both channels (*with common control*) for channel A only (*with independent control*)

- 000 Normal operation
- 001 Outputs all zeros
- 010 Outputs all ones
- 011 Outputs toggle pattern
Output data <D10:D0> alternates between 01010101010 and 10101010101 every clock cycle.
- 100 Outputs digital ramp
Output data increments by one LSB (12-bit) every 8th clock cycle from code 0 to code 2047.
- 101 Outputs custom pattern (use registers 0x51, 0x52 for setting the custom pattern)
- 110 Unused
- 111 Unused

A7 – A0 IN HEX	D7	D6	D5	D4	D3	D2	D1	D0
63	0	0	<OFFSET PEDESTAL – Common/Ch A>					

D5-D0 <OFFSET PEDESTAL – Common/Ch A>

When the offset correction is enabled, the final converged value after the offset is corrected will be the ADC mid-code value. A pedestal can be added to the final converged value by programming these bits. See "Offset Correction" in application section.

Applies to both channels (*with common control*) or for channel A only (*with independent control*).

011111 PEDESTAL = 31 LSB

011110 PEDESTAL = 30 LSB

011101 PEDESTAL = 29 LSB

....

000000 PEDESTAL = 0 LSB

....

111111 PEDESTAL = –1 LSB

111110 PEDESTAL = –2 LSB

....

100000 PEDESTAL = –32LSB

A7 – A0 IN HEX	D7	D6	D5	D4	D3	D2	D1	D0
66	0	<OFFSET CORRECTION ENABLE – CH B> <i>Offset correction enable</i>	0	0	0	0	0	0

D6 <OFFSET CORRECTION ENABLE – CH B>

Offset correction enable control for channel B (*only with independent control*).

0 offset correction disabled

1 offset correction enabled

A7 – A0 IN HEX	D7	D6	D5	D4	D3	D2	D1	D0
68	<GAIN PROGRAMMABILITY – CH B>				<OFFSET CORR TIME CONSTANT – CH B> <i>Offset correction time constant</i>			

D7-D4 <GAIN – CH B> Gain programmability in 0.5 dB steps

Applies to channel B (*only with independent control*).

- 0000 0 dB gain, default after reset
- 0001 0.5 dB gain
- 0010 1.0 dB gain
- 0011 1.5 dB gain
- 0100 2.0 dB gain
- 0101 2.5 dB gain
- 0110 3.0 dB gain
- 0111 3.5 dB gain
- 1000 4.0 dB gain
- 1001 4.5 dB gain
- 1010 5.0 dB gain
- 1011 5.5 dB gain
- 1100 6.0 dB gain

D3-D0 <OFFSET CORR TIME CONSTANT – CH B> Time constant of correction loop in number of clock cycles.

Applies to channel B (*only with independent control*).

- 0000 256 k
- 0001 512 k
- 0010 1 M
- 0011 2 M
- 0100 4 M
- 0101 8 M
- 0110 16 M
- 0111 32 M
- 1000 64 M
- 1001 128 M
- 1010 256 M
- 1011 512 M

A7 – A0 IN HEX	D7	D6	D5	D4	D3	D2	D1	D0
69	<SNRBoost Coeff 1 – CH B>				<SNRBoost Coeff 2 – CH B>			

See [SNR enhancement using SNRBoost](#)

A7 – A0 IN HEX	D7	D6	D5	D4	D3	D2	D1	D0
6A			<GAIN CORRECTION – CH B> +0.001 dB to +0.134 dB, in 128 steps					

Using the FINE GAIN ADJUST register bits, the channel gain can be trimmed in fine steps. The trim is only additive, has 128 steps & a range of 0.134dB. The relation between the FINE GAIN ADJUST bits & the trimmed channel gain is:

$$\Delta \text{ Channel Gain} = 20 \times \log_{10}[1 + (\text{FINE GAIN ADJUST}/8192)]$$

Note that the total device gain = ADC gain + Δ Channel gain. The ADC gain is determined by register bits <GAIN PROGRAMMABILITY>

A7 – A0 IN HEX	D7	D6	D5	D4	D3	D2	D1	D0
6C	0	0	0	0	0	0	0	<SNRBoost Enable – CH B>

D0 <SNRBoost Enable – CH B>

SNRBoost control for channel B (*only with independent control*).

- 0 SNRBoost disabled
- 1 SNRBoost enabled

A7 – A0 IN HEX	D7	D6	D5	D4	D3	D2	D1	D0
75			0	0	0	<TEST PATTERNS – CH B>		

D2-D0 <TEST PATTERNS> Test Patterns to verify data capture

Applies to both channels (*with common control*) for channel A only (*with independent control*)

- 000 Normal operation
- 001 Outputs all zeros
- 010 Outputs all ones
- 011 Outputs toggle pattern
Output data <D10:D0> alternates between 01010101010 and 10101010101 every clock cycle.
- 100 Outputs digital ramp
Output data increments by one LSB (12-bit) every 8th clock cycle from code 0 to code 2047.
- 101 Outputs custom pattern (use registers 0x51, 0x52 for setting the custom pattern)
- 110 Unused
- 111 Unused

A7 – A0 IN HEX	D7	D6	D5	D4	D3	D2	D1	D0
76	0	0	<OFFSET PEDESTAL – Common/Ch A>					

D5-D0 <OFFSET PEDESTAL – Ch B>

When the offset correction is enabled, the final converged value after the offset is corrected will be the ADC mid-code value. A pedestal can be added to the final converged value by programming these bits. See "Offset Correction" in application section.

Applies to both channels (*with common control*) or for channel A only (*with independent control*).

- 011111 PEDESTAL = 31 LSB
- 011110 PEDESTAL = 30 LSB
- 011101 PEDESTAL = 29 LSB
-
- 000000 PEDESTAL = 0 LSB
-
- 111111 PEDESTAL = –1 LSB
- 111110 PEDESTAL = –2 LSB
-
- 100000 PEDESTAL = –32LSB

PIN CONFIGURATION (LVDS INTERFACE) – ADS62C17

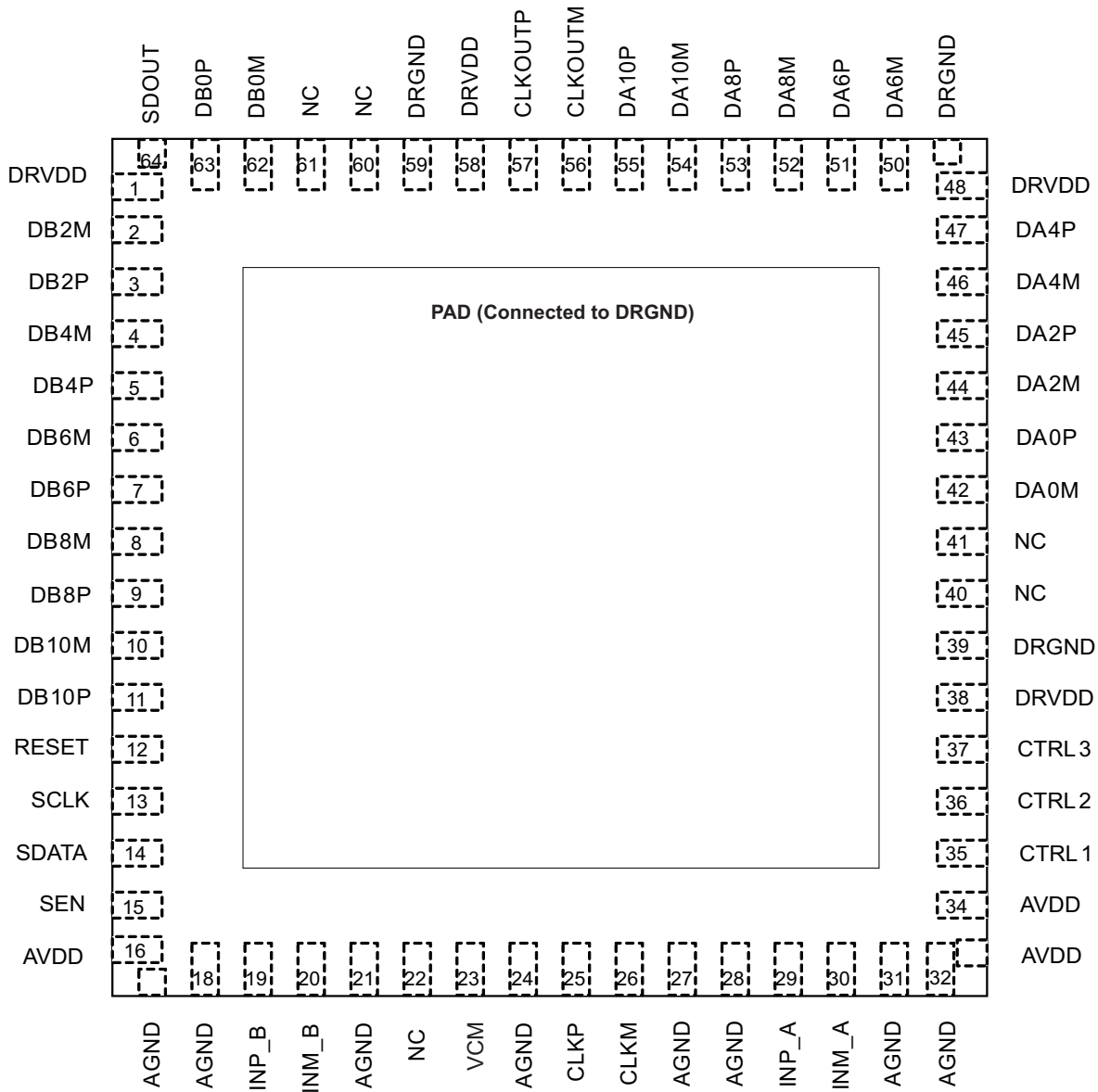


Figure 10. Pin Configuration

PIN ASSIGNMENTS (LVDS INTERFACE) – ADS62C17

PIN		NO. OF PINS	PIN TYPE	DESCRIPTION	
NAME	NUMBER				
AVDD	16, 33, 34	3	I	Analog power supply	
AGND	17,18,21,24, 27,28,31,32	8	I	Analog ground	
CLKP, CLKM	25, 26	2	I	Differential clock input	
INP_A, INM_A	29, 30	2	I	Differential analog input, Channel A	
INP_B, INM_B	19, 20	2	I	Differential analog input, Channel B	
VCM	23	1	IO	Internal reference mode – Common-mode voltage output. External reference mode – Reference input. The voltage forced on this pin sets the internal references.	
RESET	12	1	I	Serial interface RESET input. When using the serial interface mode, the user must initialize internal registers through hardware RESET by applying a high-going pulse on this pin or by using software reset option. Refer to Serial Interface section. In parallel interface mode, the user has to tie RESET pin permanently high . (SCLK and SEN are used as parallel control pins in this mode) The pin has an internal 100 kΩ pull-down resistor.	
SCLK	13	1	I	This pin functions as serial interface clock input when RESET is low . It controls selection of internal or external reference when RESET is tied high. See Table 5 for detailed information. The pin has an internal 100 kΩ pull-down resistor.	
SDATA	14	1	I	Serial interface data input. The pin has an internal 100 kΩ pull-down resistor. The pin has no function in parallel interface mode and can be tied to ground.	
SEN	15	1	I	This pin functions as serial interface enable input when RESET is low . It controls selection of data format and interface type when RESET is tied high. See Table 6 for detailed information. The pin has an internal 100 kΩ pull-up resistor to AVDD	
SDOUT	64	1	O	This pin functions as serial interface register readout, when the <SERIAL READOUT> bit is enabled. When <SERIAL READOUT> = 0, this pin forces logic LOW & is not tri-stated.	
CTRL1	35	1	I	Digital control input pins. Together, they control SNRBoost control and power down modes.	
CTRL2	36	1	I		
CTRL3	37	1	I		
CLKOUTP	57	1	O	Differential output clock, true	
CLKOUTM	56	1	O	Differential output clock, complement	
DA0P, DA0M	Refer to Figure 10	2	O	Differential output data pair, D0 and 0 multiplexed – Channel A	
DA2P, DA2M		2	O	Differential output data D1 and D2 multiplexed, true – Channel A	
DA4P, DA4M		2	O	Differential output data D3 and D4 multiplexed, true – Channel A	
DA6P, DA6M		2	O	Differential output data D5 and D6 multiplexed, true – Channel A	
DA8P, DA8M		2	O	Differential output data D7 and D8 multiplexed, true – Channel A	
DA10P, DA10M		2	O	Differential output data D9 and D10 multiplexed, true – Channel A	
DB0P, DB0M		2	O	Differential output data pair, D0 and 0 multiplexed – Channel B	
DB2P, DB2M		2	O	Differential output data D1 and D2 multiplexed, true – Channel B	
DB4P, DB4M		2	O	Differential output data D3 and D4 multiplexed, true – Channel B	
DB6P, DB6M		2	O	Differential output data D5 and D6 multiplexed, true – Channel B	
DB8P, DB8M		2	O	Differential output data D7 and D8 multiplexed, true – Channel B	
DB10P, DB10M		2	O	Differential output data D9 and D10 multiplexed, true – Channel B	
DRVDD		1,38,48,58	4	I	Output buffer supply

PIN		NO. OF PINS	PIN TYPE	DESCRIPTION
NAME	NUMBER			
DRGND	39,49,59,PAD	4	I	Output buffer ground
NC	Refer to Figure 10			Do not connect

PIN CONFIGURATION (CMOS INTERFACE) – ADS62C17

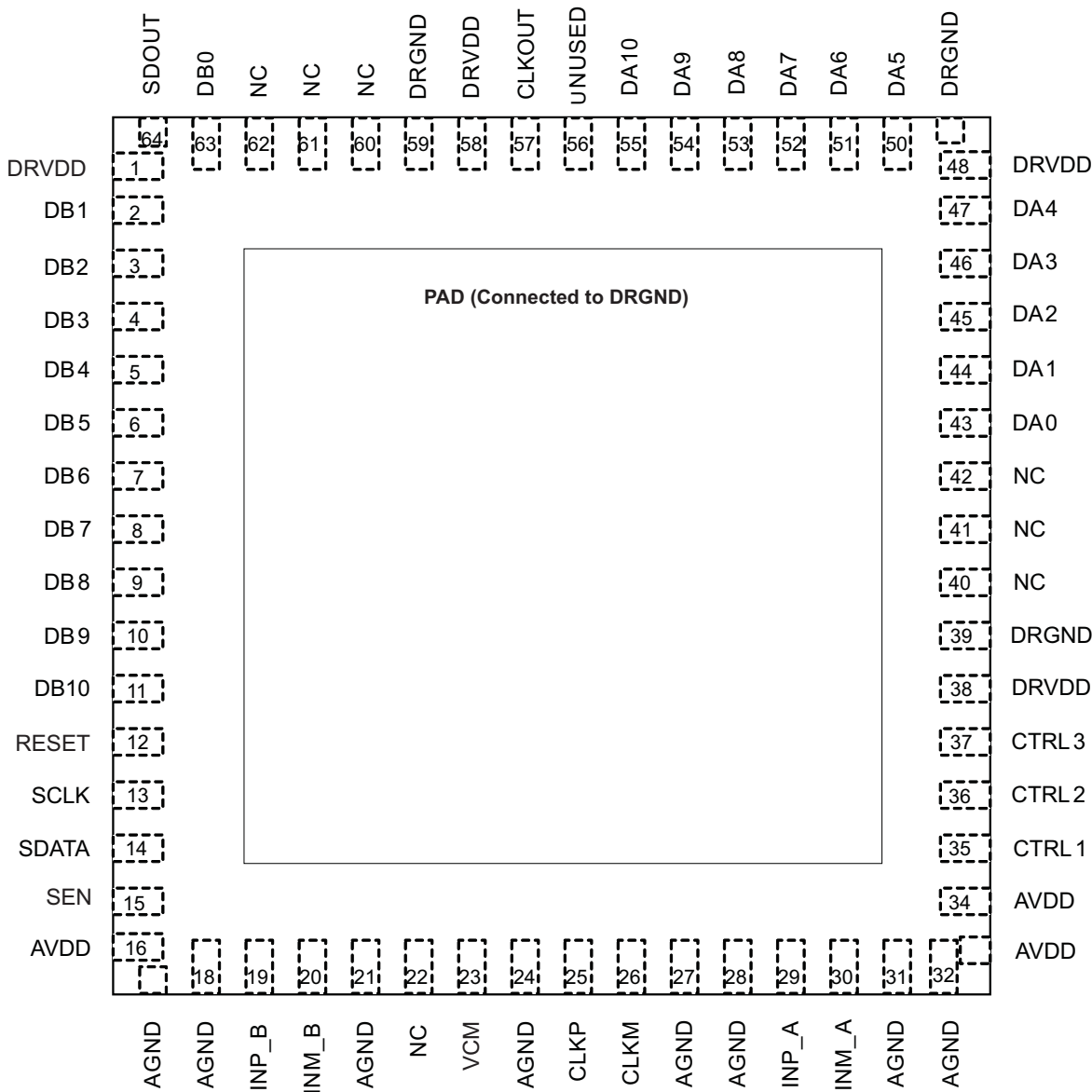


Figure 11. Pin Configuration

PIN ASSIGNMENTS (CMOS INTERFACE) – ADS62C17

PIN		NO. OF PINS	PIN TYPE	DESCRIPTION
NAME	NUMBER			
AVDD	16, 33, 34	3	I	Analog power supply
AGND	17,18,21,24, 27,28,31, 32	8	I	Analog ground
CLKP, CLKM	25, 26	2	I	Differential clock input
INP_A, INM_A	29, 30	2	I	Differential analog input, Channel A
INP_B, INM_B	19, 20	2	I	Differential analog input, Channel B
VCM	23	1	IO	Internal reference mode – Common-mode voltage output. External reference mode – Reference input. The voltage forced on this pin sets the internal references.
RESET	12	1	I	Serial interface RESET input. When using the serial interface mode, the user MUST initialize internal registers through hardware RESET by applying a high-going pulse on this pin or by using software reset option. Refer to SERIAL INTERFACE section. In parallel interface mode, the user has to tie RESET pin permanently high . (SDATA and SEN are used as parallel control pins in this mode) The pin has an internal 100 kΩ pull-down resistor.
SCLK	13	1	I	This pin functions as serial interface clock input when RESET is low . It controls selection of internal or external reference when RESET is tied high . See Table 5 for detailed information. The pin has an internal 100 kΩ pull-down resistor.
SDATA	14	1	I	Serial interface data input. The pin has an internal 100 kΩ pull-down resistor. The pin has no function in parallel interface mode and can be tied to ground.
SEN	15	1	I	This pin functions as serial interface enable input when RESET is low . It controls selection of data format and interface type when RESET is tied high . See Table 6 for detailed information. The pin has an internal 100 kΩ pull-up resistor to AVDD
SDOUT	64	1	O	This pin functions as serial interface register readout, when the <SERIAL READOUT> bit is enabled. When <SERIAL READOUT> = 0, this pin forces logic LOW & is not tri-stated.
CTRL1	35	1	I	Digital control input pins. Together, they control SNRBoost control & power down modes.
CTRL2	36	1	I	
CTRL3	37	1	I	
CLKOUT	57	1	O	CMOS output clock
DA0, DA10	Refer to Figure 11	11	O	Channel A 11-bit ADC output data bits, CMOS levels
DB0-DB10		11	O	Channel B 11-bit ADC output data bits, CMOS levels
DRVDD	1,38,48,58	4	I	Output buffer supply
DRGND	39,49,59,PAD	3	I	Output buffer ground
NC	Refer to Figure 11			Do not connect

TYPICAL CHARACTERISTICS

All plots are at 25 °C, AVDD = 3.3 V, DRVDD = 1.8 V, sampling frequency = 200 MSPS, sine wave input clock. 1.5 VPP differential clock amplitude, 50% clock duty cycle, -1 dBFS differential analog input, SNRBoost disabled, internal reference mode, 0 dB gain, LVDS output interface (unless otherwise noted)

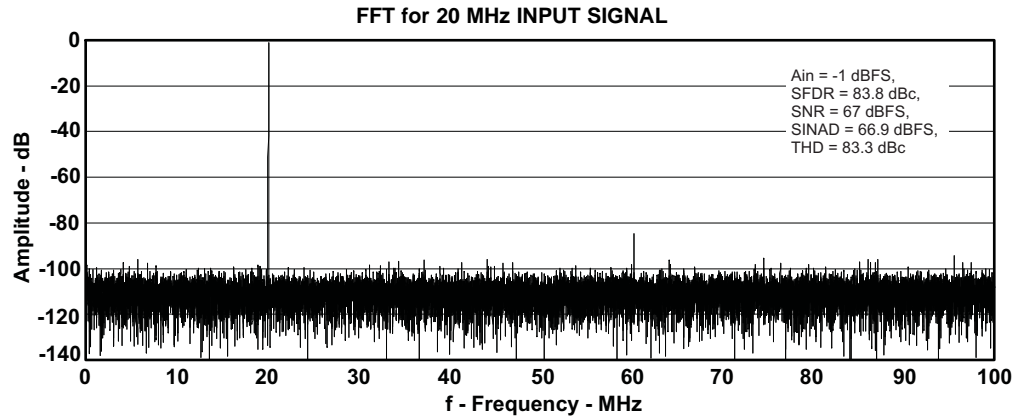


Figure 12.

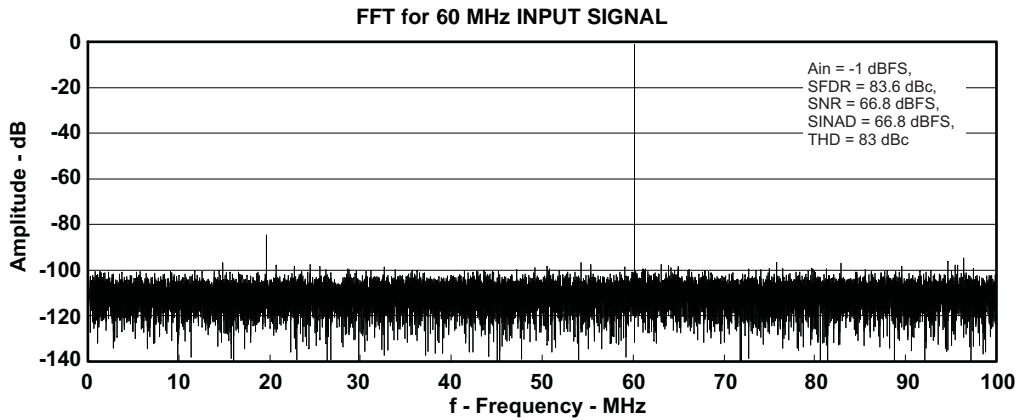


Figure 13.

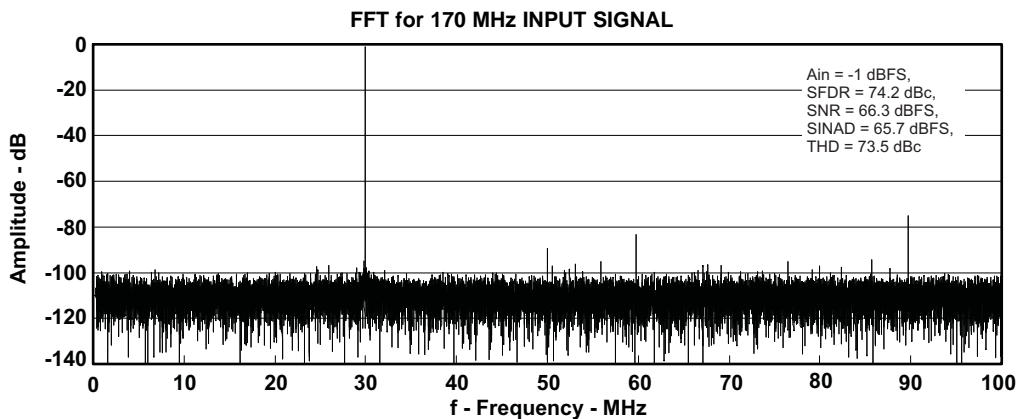
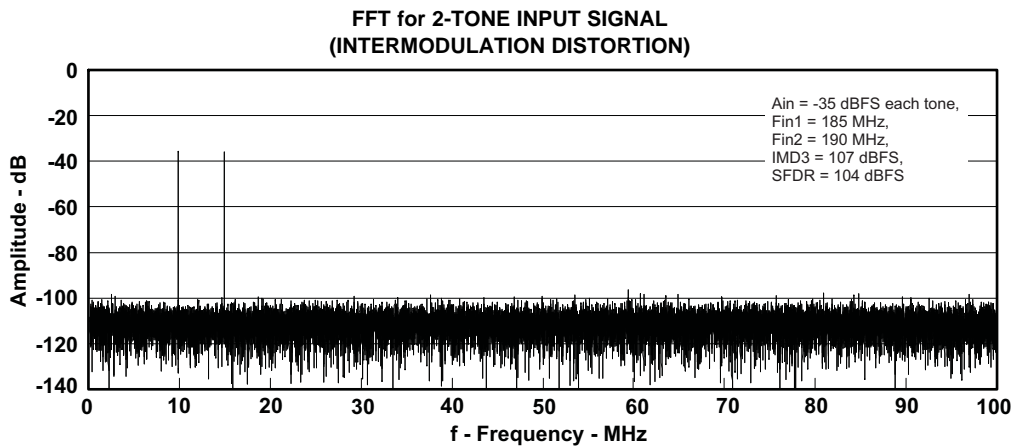
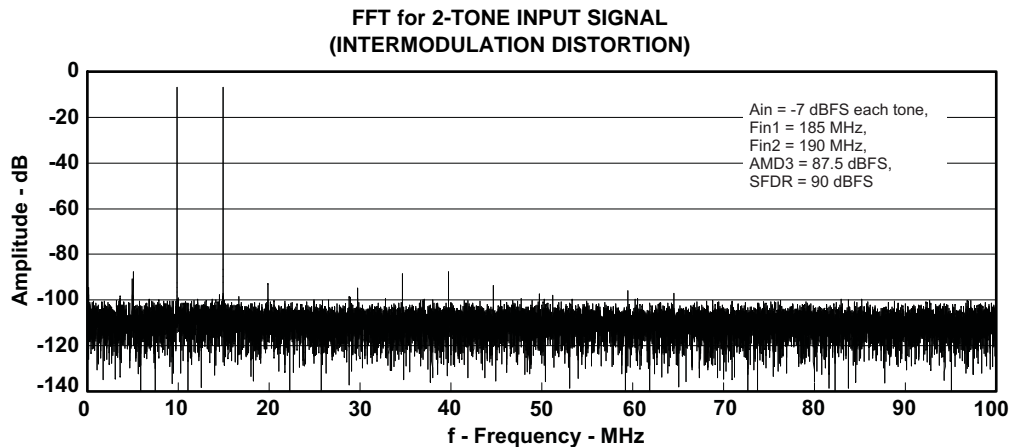
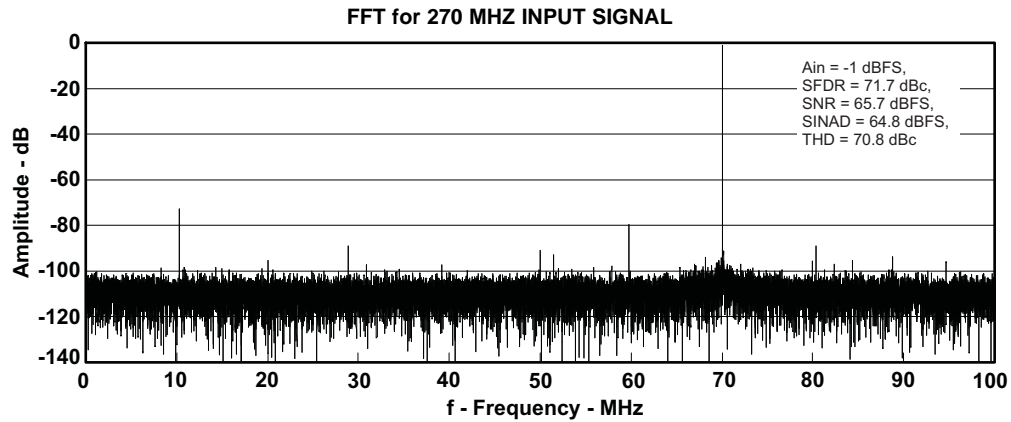


Figure 14.

TYPICAL CHARACTERISTICS (continued)

All plots are at 25 °C, AVDD = 3.3 V, DRVDD = 1.8 V, sampling frequency = 200 MSPS, sine wave input clock. 1.5 VPP differential clock amplitude, 50% clock duty cycle, -1 dBFS differential analog input, SNRBoost disabled, internal reference mode, 0 dB gain, LVDS output interface (unless otherwise noted)



TYPICAL CHARACTERISTICS (continued)

All plots are at 25 °C, AVDD = 3.3 V, DRVDD = 1.8 V, sampling frequency = 200 MSPS, sine wave input clock. 1.5 VPP differential clock amplitude, 50% clock duty cycle, -1 dBFS differential analog input, SNRBoost disabled, internal reference mode, 0 dB gain, LVDS output interface (unless otherwise noted)

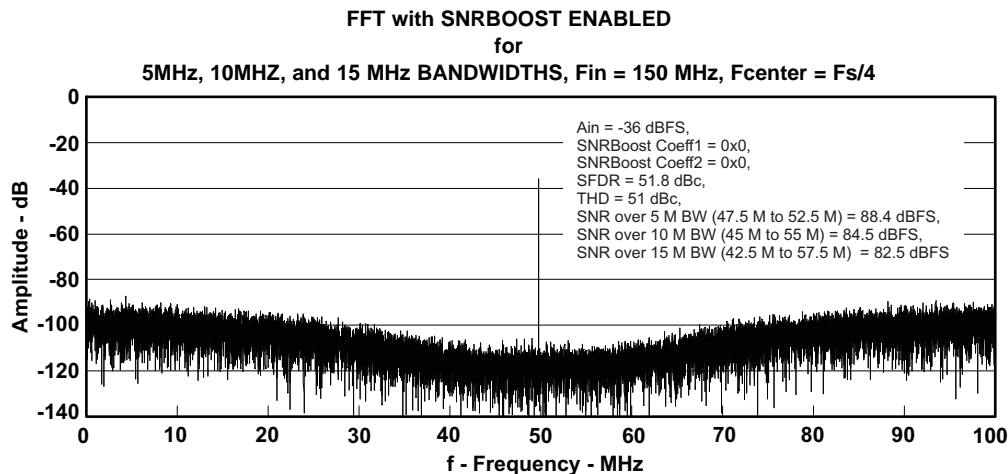


Figure 18.

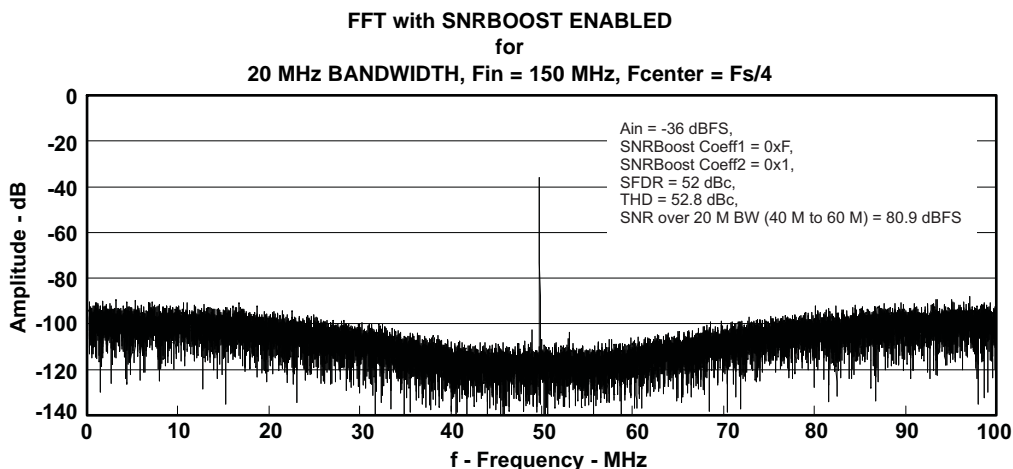


Figure 19.

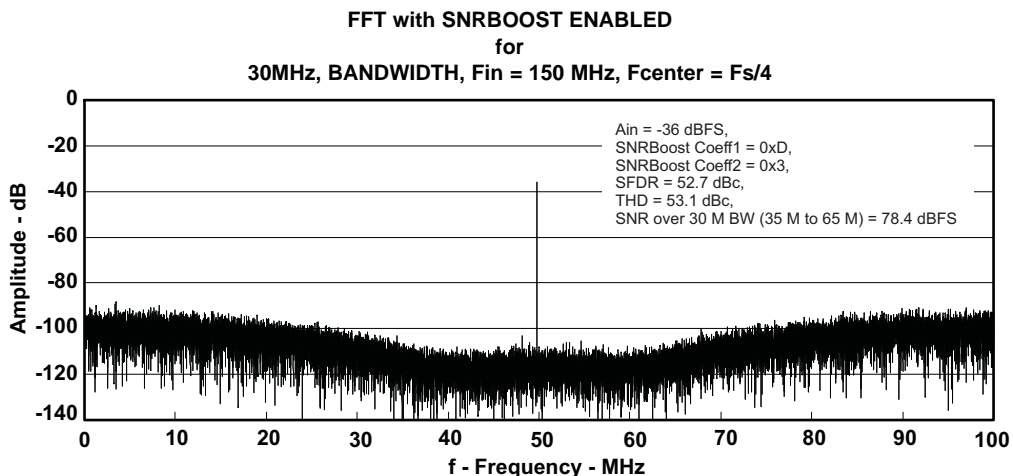


Figure 20.

TYPICAL CHARACTERISTICS (continued)

All plots are at 25 °C, AVDD = 3.3 V, DRVDD = 1.8 V, sampling frequency = 200 MSPS, sine wave input clock. 1.5 VPP differential clock amplitude, 50% clock duty cycle, -1 dBFS differential analog input, SNRBoost disabled, internal reference mode, 0 dB gain, LVDS output interface (unless otherwise noted)

FFT with SNRBOOST ENABLED
for
40MHz, BANDWIDTH, Fin = 150 MHz, Fcenter = Fs/4

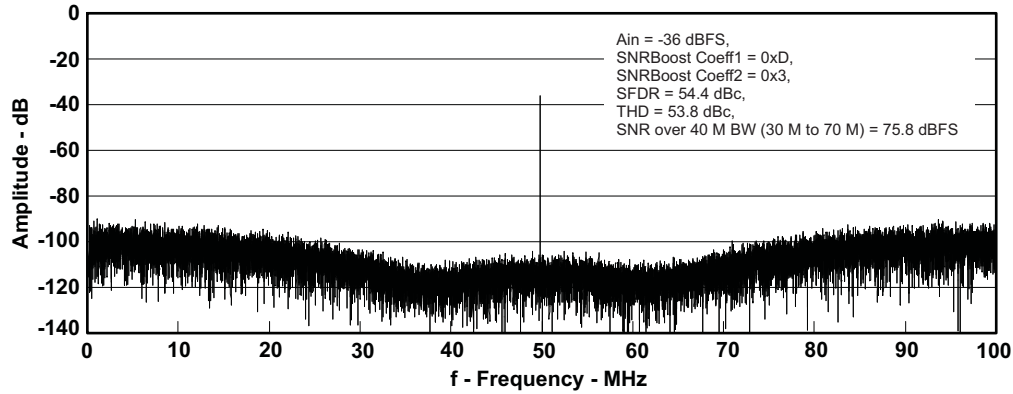


Figure 21.

SNR with SNRBOOST ENABLE and DISABLED

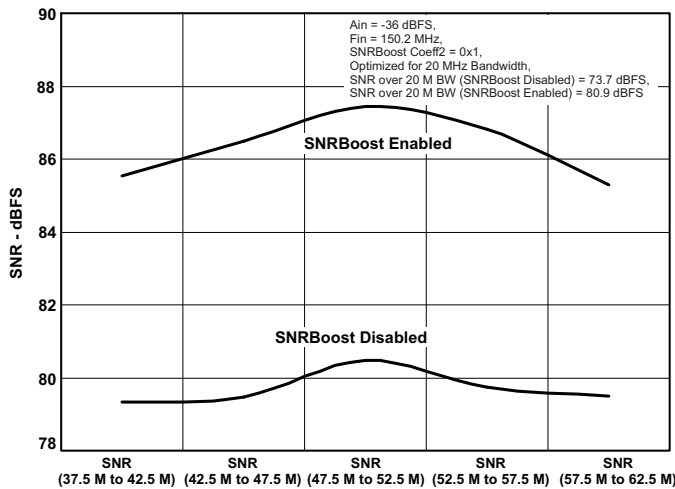


Figure 22.

SFDR ACROSS INPUT FREQUENCY

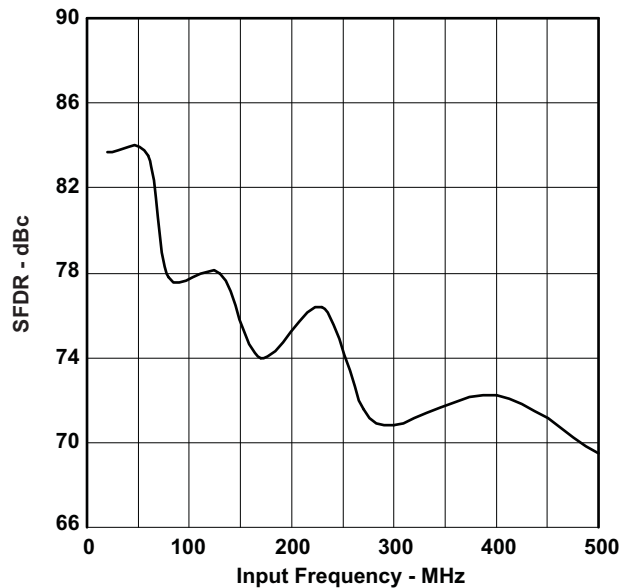


Figure 23.

TYPICAL CHARACTERISTICS (continued)

All plots are at 25 °C, AVDD = 3.3 V, DRVDD = 1.8 V, sampling frequency = 200 MSPS, sine wave input clock. 1.5 VPP differential clock amplitude, 50% clock duty cycle, -1 dBFS differential analog input, SNRBoost disabled, internal reference mode, 0 dB gain, LVDS output interface (unless otherwise noted)

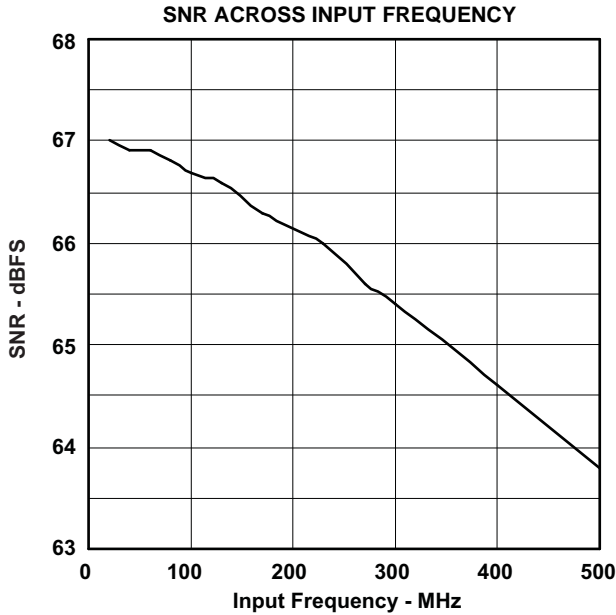


Figure 24.

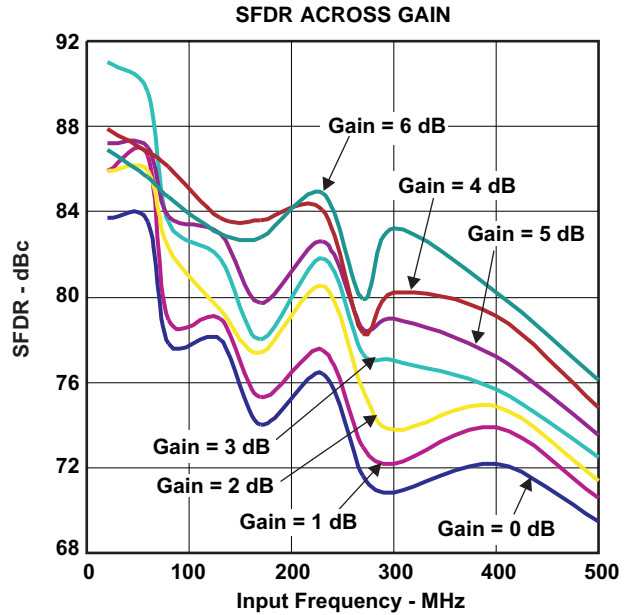


Figure 25.

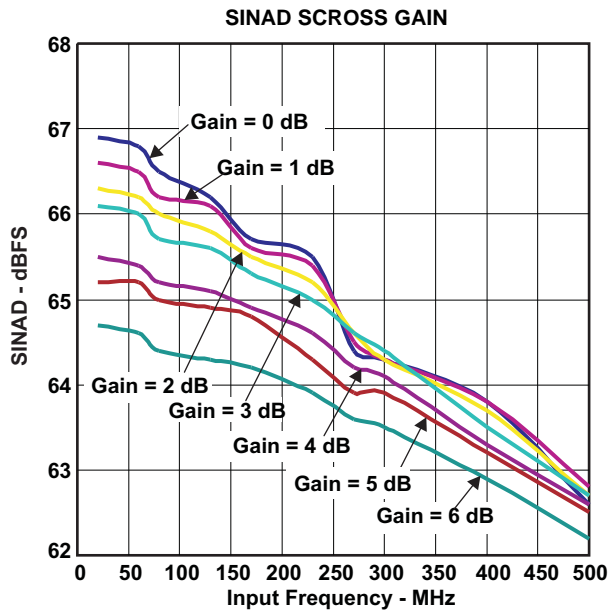


Figure 26.

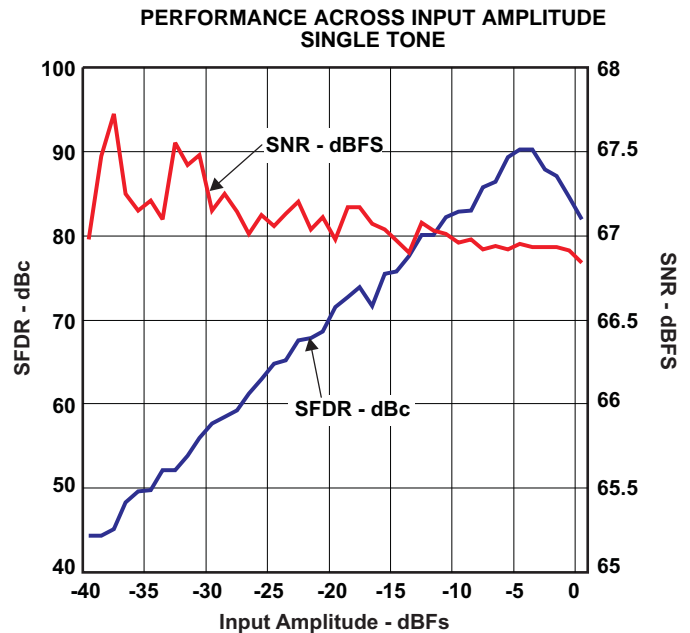


Figure 27.

TYPICAL CHARACTERISTICS (continued)

All plots are at 25 °C, AVDD = 3.3 V, DRVDD = 1.8 V, sampling frequency = 200 MSPS, sine wave input clock. 1.5 VPP differential clock amplitude, 50% clock duty cycle, -1 dBFS differential analog input, SNRBoost disabled, internal reference mode, 0 dB gain, LVDS output interface (unless otherwise noted)

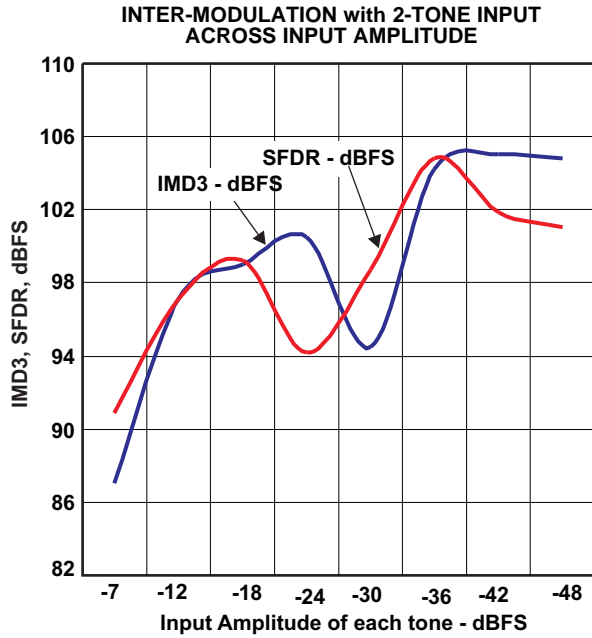


Figure 28.

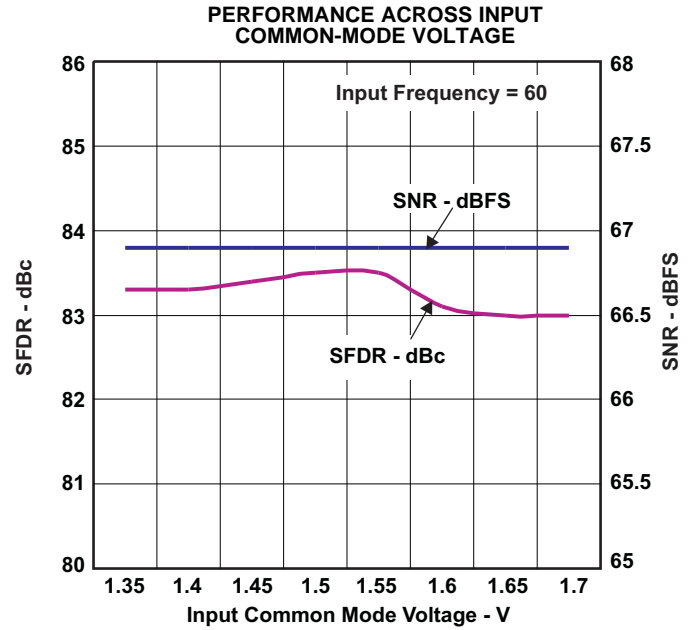


Figure 29.

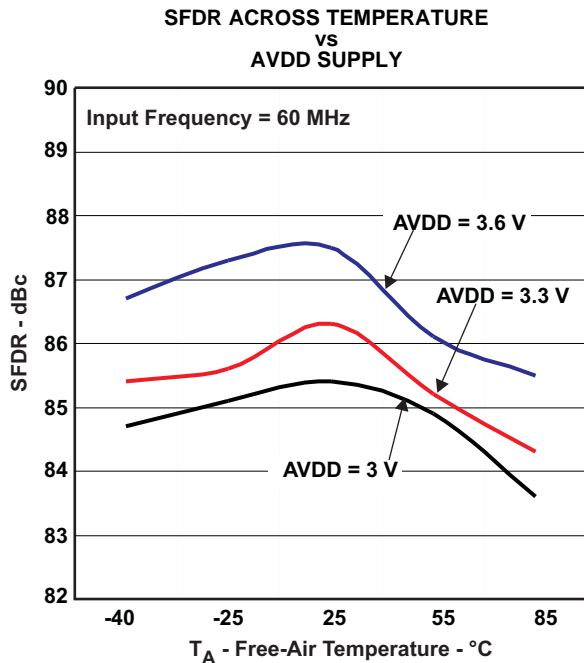


Figure 30.

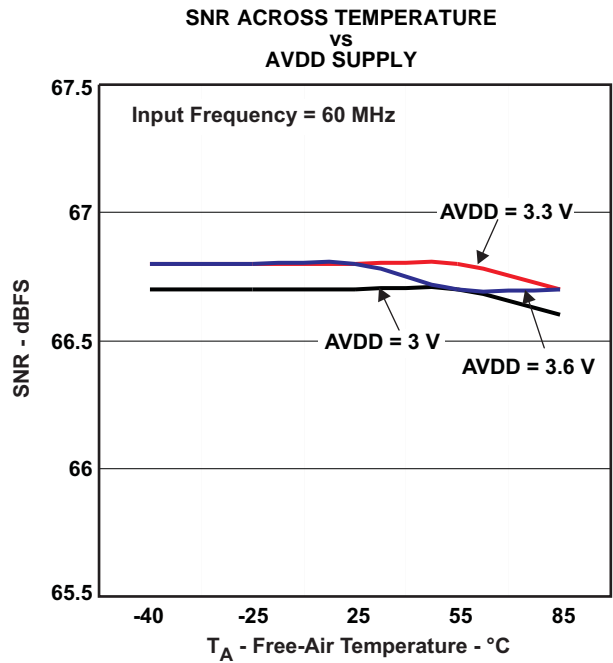


Figure 31.

TYPICAL CHARACTERISTICS (continued)

All plots are at 25 °C, AVDD = 3.3 V, DRVDD = 1.8 V, sampling frequency = 200 MSPS, sine wave input clock. 1.5 VPP differential clock amplitude, 50% clock duty cycle, -1 dBFS differential analog input, SNRBoost disabled, internal reference mode, 0 dB gain, LVDS output interface (unless otherwise noted)

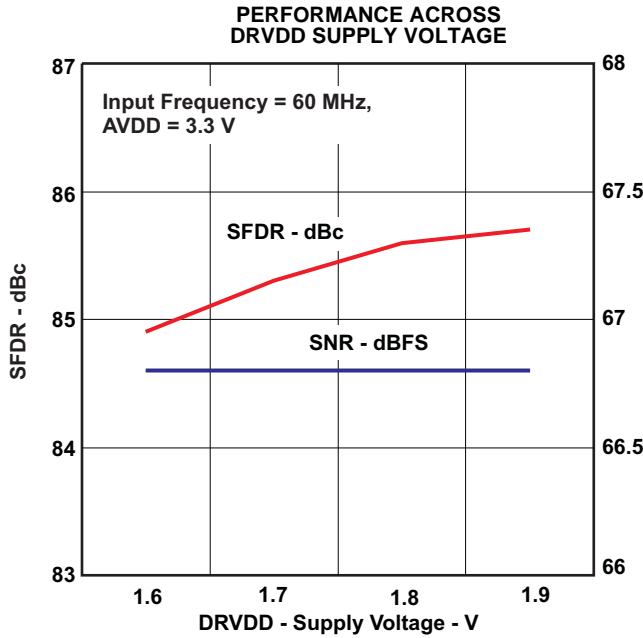


Figure 32.

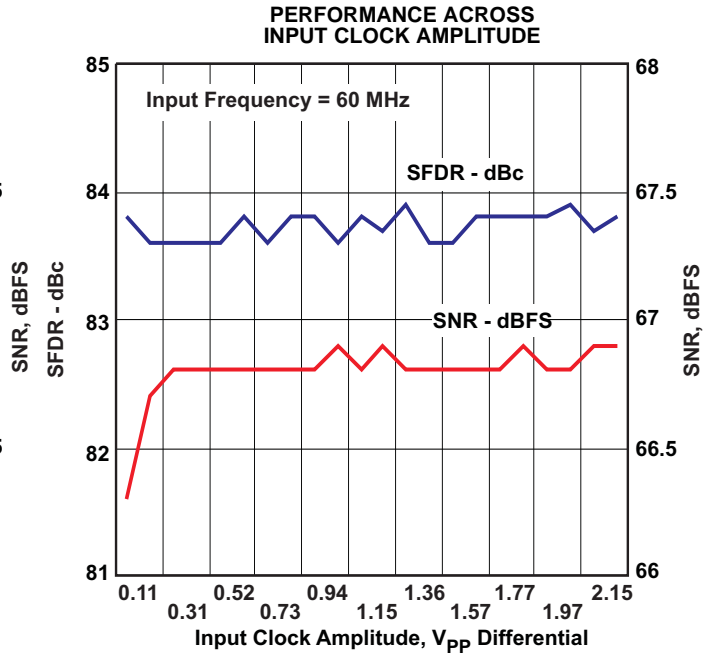


Figure 33.

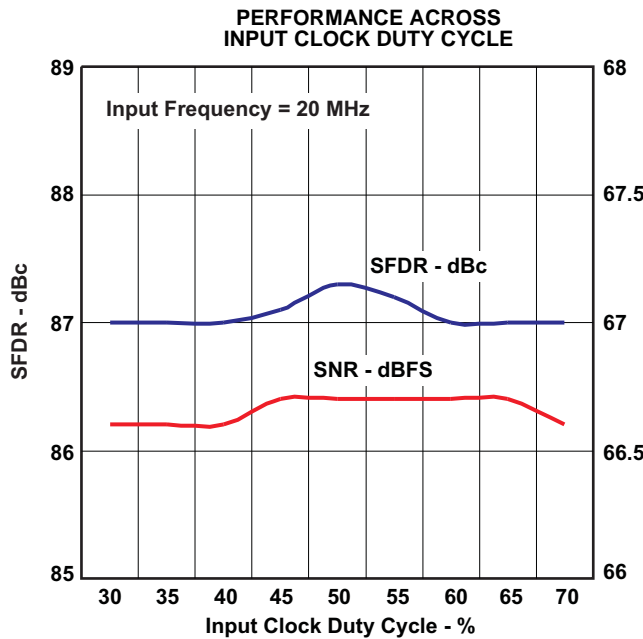


Figure 34.

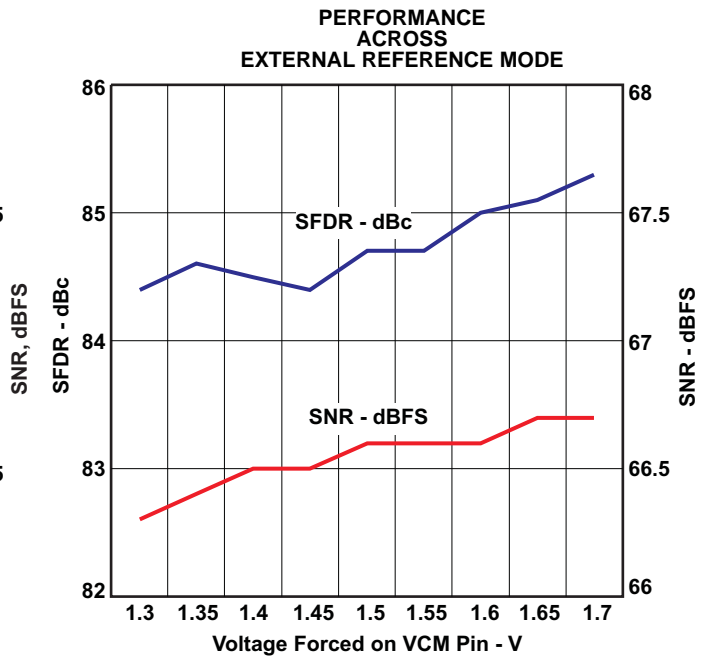


Figure 35.

TYPICAL CHARACTERISTICS (continued)

All plots are at 25 °C, AVDD = 3.3 V, DRVDD = 1.8 V, sampling frequency = 200 MSPS, sine wave input clock. 1.5 VPP differential clock amplitude, 50% clock duty cycle, -1 dBFS differential analog input, SNRBoost disabled, internal reference mode, 0 dB gain, LVDS output interface (unless otherwise noted)

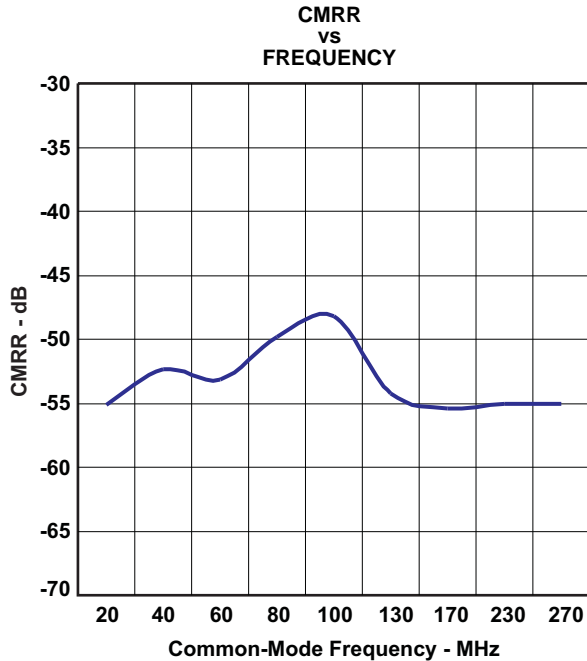


Figure 36.

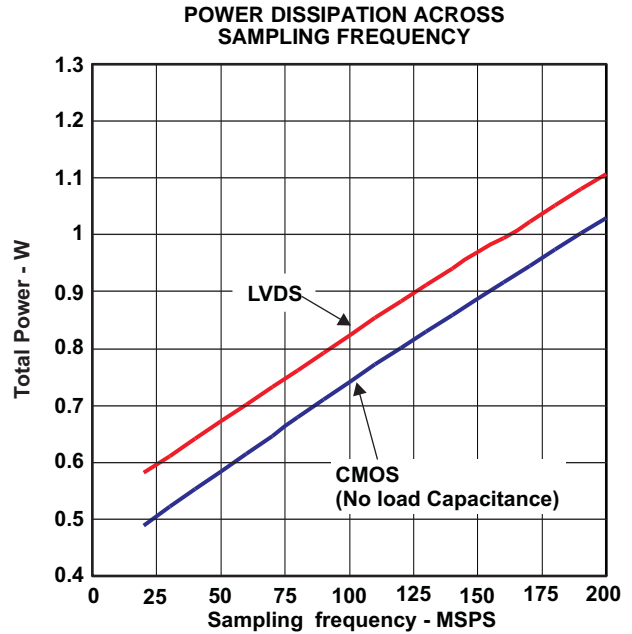


Figure 37.

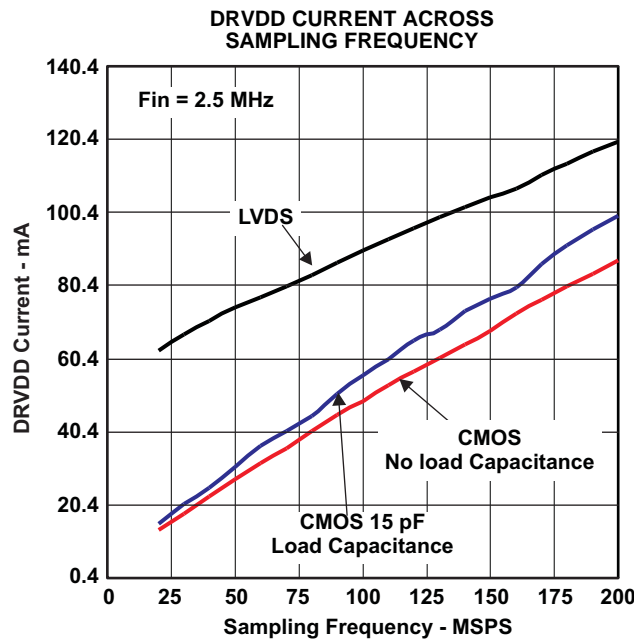


Figure 38.

TYPICAL CHARACTERISTICS (continued)

All plots are at 25 °C, AVDD = 3.3 V, DRVDD = 1.8 V, sampling frequency = 200 MSPS, sine wave input clock. 1.5 VPP differential clock amplitude, 50% clock duty cycle, -1 dBFS differential analog input, SNRBoost disabled, internal reference mode, 0 dB gain, LVDS output interface (unless otherwise noted)

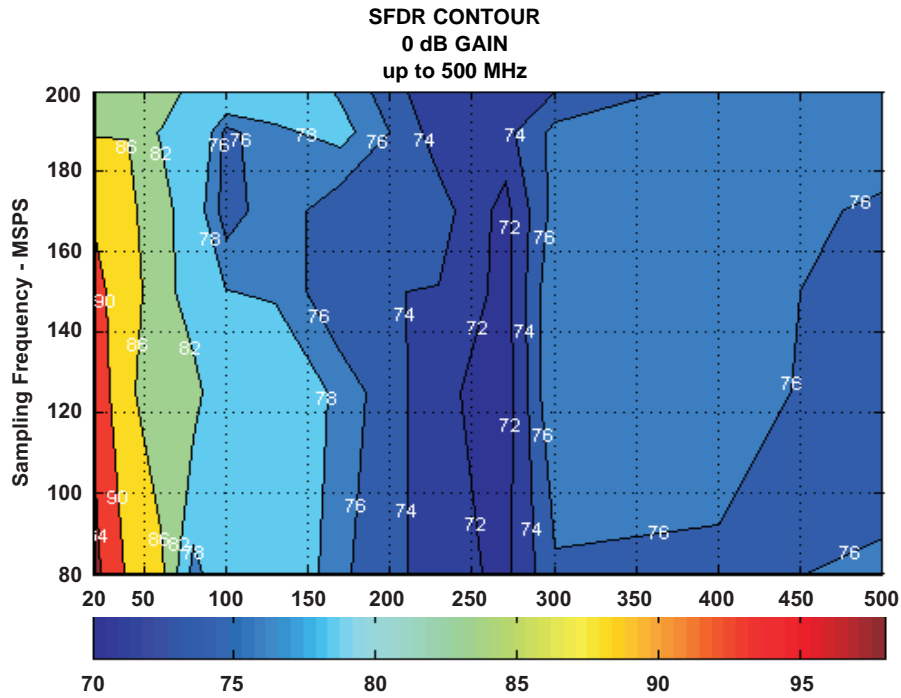


Figure 39.

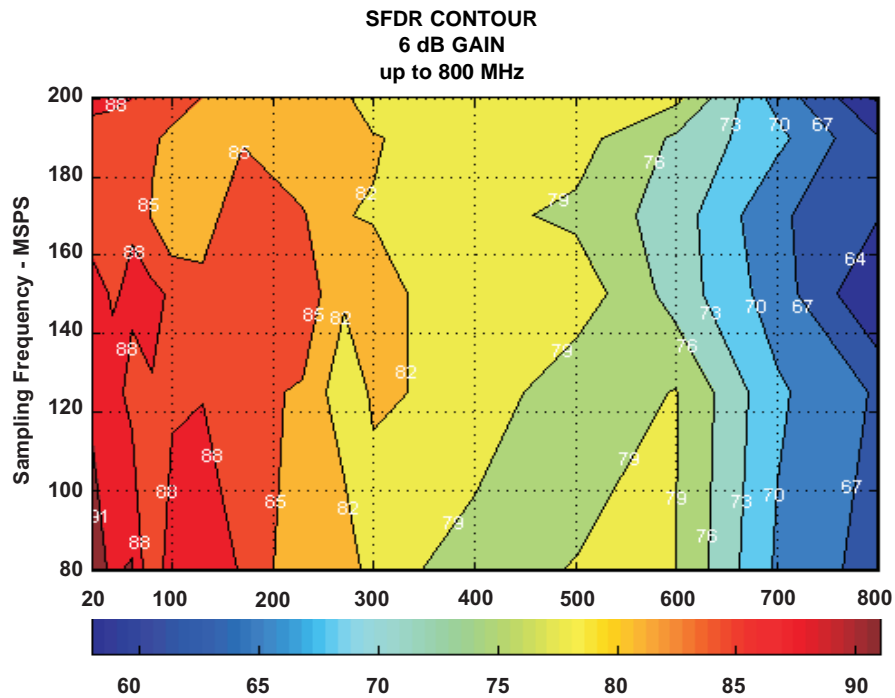
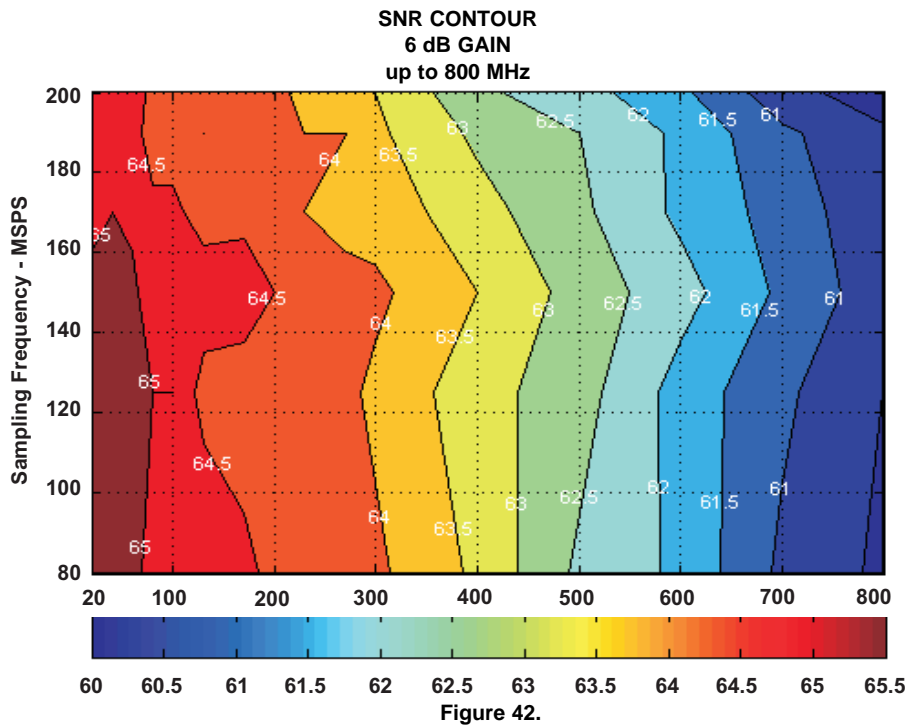
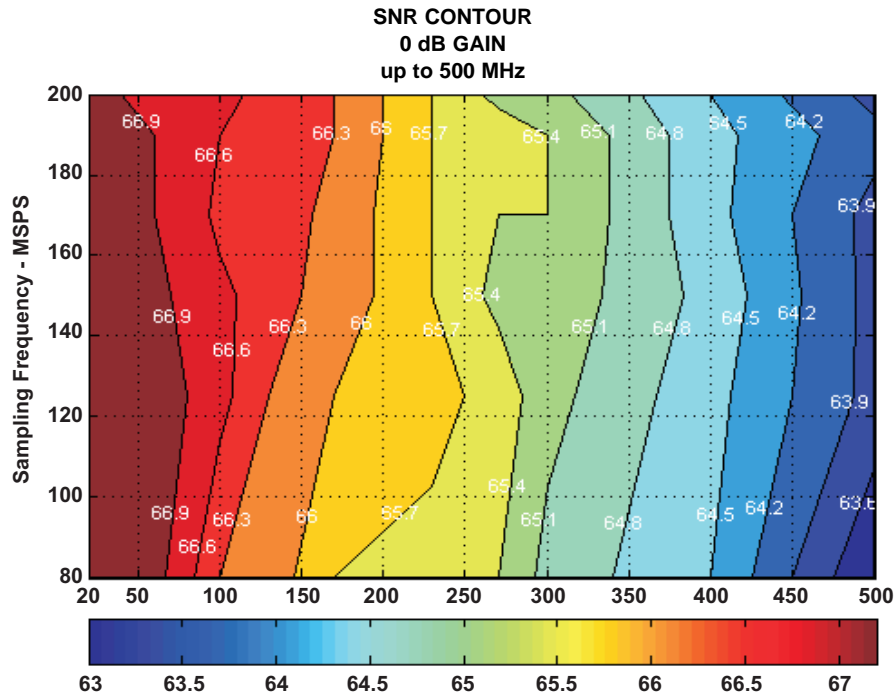


Figure 40.

TYPICAL CHARACTERISTICS (continued)

All plots are at 25 °C, AVDD = 3.3 V, DRVDD = 1.8 V, sampling frequency = 200 MSPS, sine wave input clock. 1.5 VPP differential clock amplitude, 50% clock duty cycle, -1 dBFS differential analog input, SNRBoost disabled, internal reference mode, 0 dB gain, LVDS output interface (unless otherwise noted)



APPLICATION INFORMATION

THEORY OF OPERATION

ADS62C17 is a low power 11-bit pipeline A/D converters with maximum sampling rate up to 200 MSPS.

At every falling edge of the input clock, the analog input signal of each channel is sampled simultaneously. The sampled signal in each channel is converted by a pipeline of low resolution stages. In each stage, the sampled and held signal is converted by a high speed, low resolution flash sub-ADC. The difference (residue) between the stage input and its quantized equivalent is gained and propagates to the next stage. At every clock, each succeeding stage resolves the sampled input with greater accuracy. The digital outputs from all stages are combined in a digital correction logic block and processed digitally to create the final 11 bit code, after a data latency of 22 clock cycles.

The digital output is available as either DDR LVDS or parallel CMOS and coded in either straight offset binary or binary 2s complement format.

The dynamic offset of the first stage sub-ADC limits the maximum analog input frequency to about 500MHz (with 2V pp amplitude) and about 800MHz (with 1V pp amplitude).

ANALOG INPUT

The analog input consists of a switched-capacitor based differential sample and hold architecture.

This differential topology results in very good AC performance even for high input frequencies at high sampling rates. The INP and INM pins have to be externally biased around a common-mode voltage of 1.5V, available on VCM pin. For a full-scale differential input, each input pin INP, INM has to swing symmetrically between $V_{CM} + 0.5V$ and $V_{CM} - 0.5V$, resulting in a 2Vpp differential input swing.

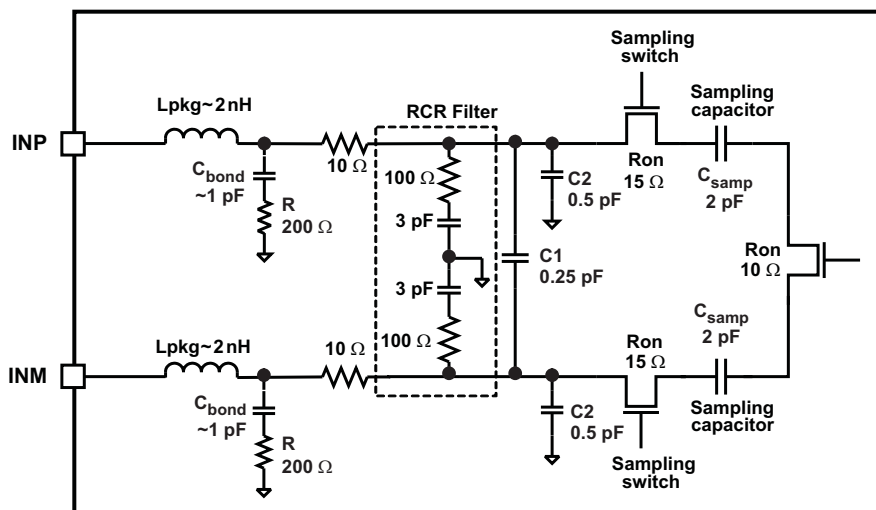


Figure 43. Analog Input Circuit

Drive Circuit Requirements

For optimum performance, the analog inputs must be driven differentially. This improves the common-mode noise immunity and even order harmonic rejection. A 5 Ω to 15 Ω resistor in series with each input pin is recommended to damp out ringing caused by package parasitic.

SFDR performance can be limited due to several reasons - the effect of sampling glitches (described below), non-linearity of the sampling circuit & non-linearity of the quantizer that follows the sampling circuit.

Depending on the input frequency, sample rate & input amplitude, one of these plays a dominant part in limiting performance.

At very high input frequencies (> about 300 MHz), SFDR is determined largely by the device's sampling circuit non-linearity. At low input amplitudes, the quantizer non-linearity usually limits performance.

Glitches are caused by the opening & closing of the sampling switches. The driving circuit should present a low source impedance to absorb these glitches. Otherwise, this could limit performance, mainly at low input frequencies (up to about 200 MHz). It is also necessary to present low impedance (< 50 Ω) for the common mode switching currents. This can be achieved by using two resistors from each input terminated to the common mode voltage (VCM).

The device includes an internal R-C filter from each input to ground. The purpose of this filter is to absorb the sampling glitches inside the device itself. The cut-off frequency of the R-C filter involves a trade-off.

A lower cut-off frequency (larger C) absorbs glitches better, but it reduces the input bandwidth. On the other hand, with a higher cut-off frequency (smaller C), bandwidth support is maximized. But now, the sampling glitches need to be supplied by the external drive circuit. This has limitations due to the presence of the package bond-wire inductance.

In ADS62C17, the R-C component values have been optimized while supporting high input bandwidth (up to 700 MHz). However, in applications with input frequencies up to 200-300MHz, the filtering of the glitches can be improved further using an external R-C-R filter (as shown in [Figure 46](#) and [Figure 47](#)).

In addition to the above, the drive circuit may have to be designed to provide a low insertion loss over the desired frequency range and matched impedance to the source. While doing this, the ADC input impedance must be considered. [Figure 44](#) and [Figure 45](#) show the impedance ($Z_{in} = R_{in} \parallel C_{in}$) looking into the ADC input pins.

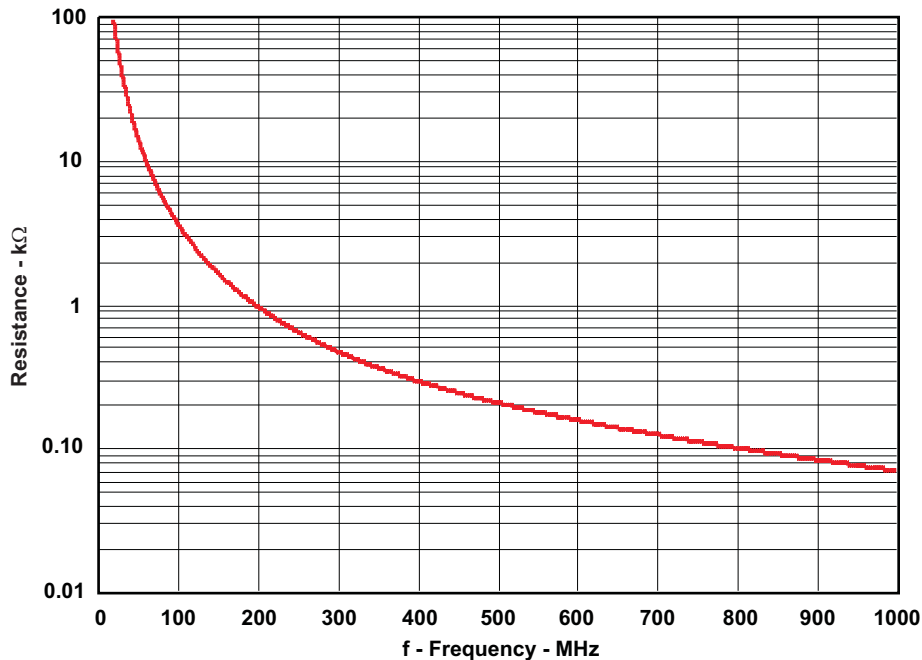


Figure 44. ADC Analog Input Resistance (Rin) Across Frequency

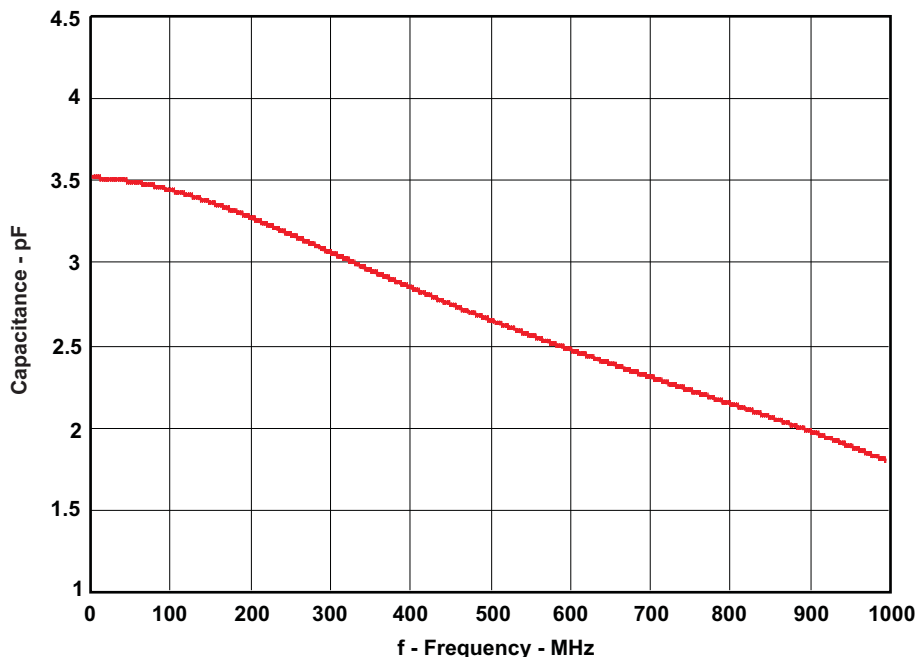


Figure 45. ADC Analog Input Capacitance (Cin) Across Frequency

Driving Circuit

Two example driving circuit configurations are shown in [Figure 46](#) and [Figure 47](#) – one optimized for low bandwidth (low input frequencies) and the other one for high bandwidth to support higher input frequencies.

In [Figure 46](#), an external R-C-R filter using 22pF has been used. Together with the series inductor (39nH), this combination forms a filter and absorbs the sampling glitches. Due to the large capacitor (22pF) in the R-C-R and the 15Ω resistors in series with each input pin, the drive circuit has low bandwidth and supports low input frequencies (<100MHz).

To support high input frequencies (up to about 300MHz, see [Figure 47](#)), the capacitance used in the R-C-R is reduced to 3.3pF and the series inductors are shorted out. Together with the lower series resistors (5Ω), this drive circuit provides high bandwidth and supports high input frequencies.

Transformers such as ADT1-1WT or ETC1-1-13 can be used up to 300MHz.

Without the external R-C-R filter, the drive circuit has very high bandwidth & can support very high input frequencies (> 300MHz). For example, a transmission line transformer such as ADTL2-18 can be used ([Figure 48](#)).

Note that both the drive circuits have been terminated by 50 ohms near the ADC side. The termination is accomplished by a 25 ohms resistor from each input to the 1.5V common-mode (VCM) from the device. This allows the analog inputs to be biased around the required common-mode voltage.

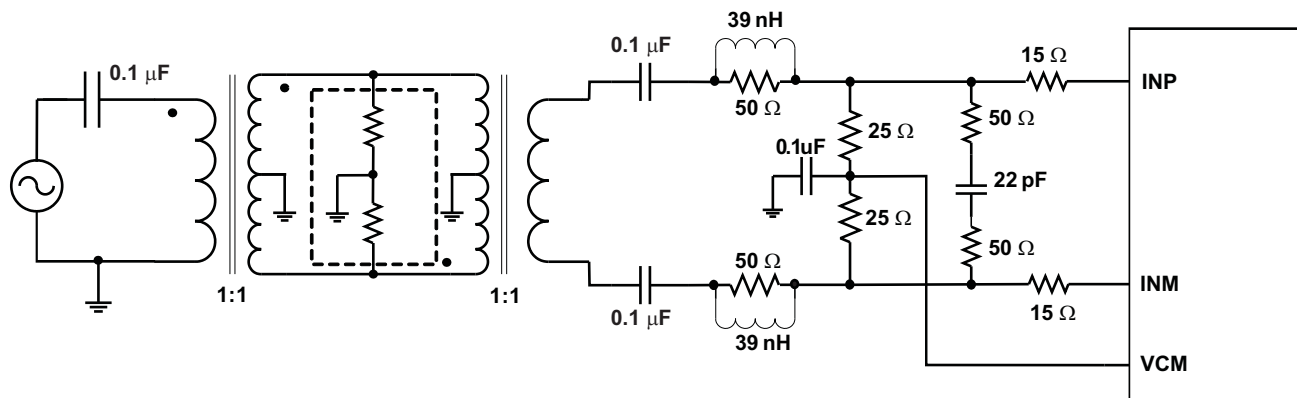


Figure 46. Drive Circuit With Low Bandwidth (for low input frequencies)

The mismatch in the transformer parasitic capacitance (between the windings) results in degraded even-order harmonic performance. Connecting two identical RF transformers back to back helps minimize this mismatch and good performance is obtained for high frequency input signals. An additional termination resistor pair may be required between the two transformers as shown in the figures. The center point of this termination is connected to ground to improve the balance between the P and M sides. The values of the terminations between the transformers and on the secondary side have to be chosen to get an effective 50Ω (in the case of 50Ω source impedance).

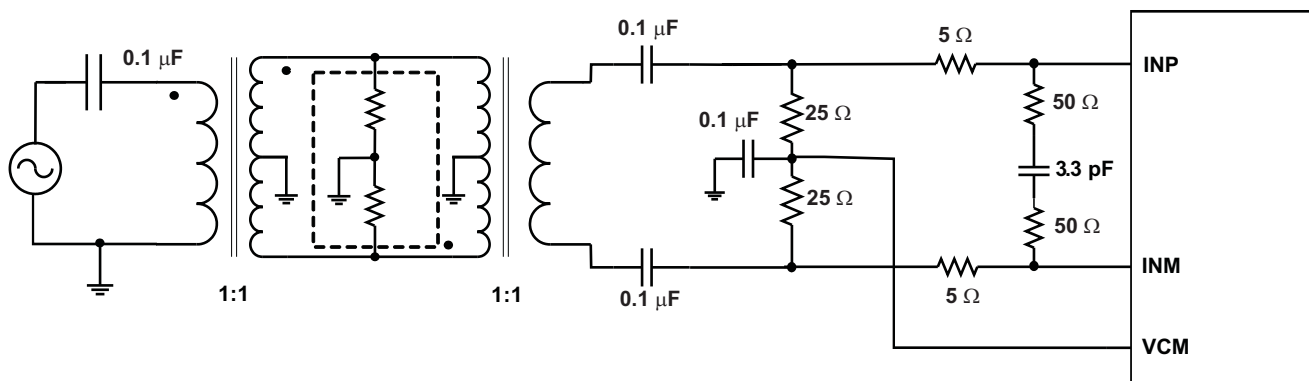


Figure 47. Drive Circuit With High Bandwidth (for high input frequencies)

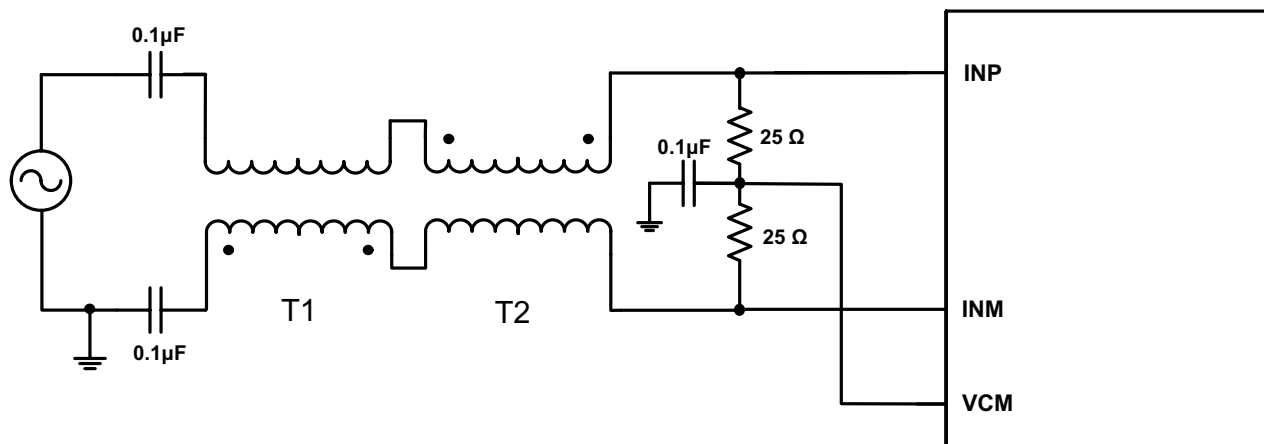


Figure 48. Drive circuit with very high bandwidth (> 300 MHz)

All these examples show 1:1 transformers being used with a 50 ohms source. As explained in the "Drive Circuit Requirements", this helps to present a low source impedance to absorb the sampling glitches. With a 1:4 transformer, the source impedance will be 200 ohms. The higher impedance can lead to degradation in performance, compared to the case with 1:1 transformers. For applications where only a band of frequencies are used, the drive circuit can be tuned to present a low impedance for the sampling glitches. Figure 49 shows an example with 1:4 transformer, tuned for a band around 150MHz.

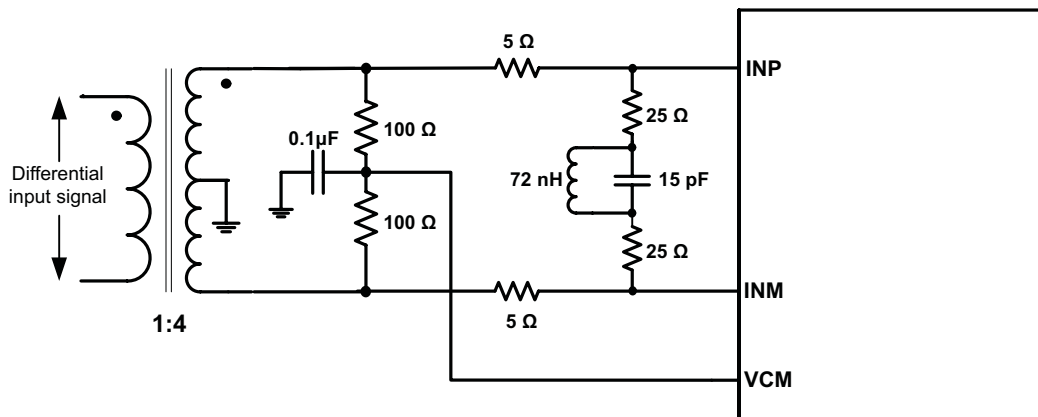


Figure 49. Drive circuit with 1:4 transformer

Input common-mode

To ensure a low-noise common-mode reference, the VCM pin is filtered with a 0.1µF low-inductance capacitor connected to ground. The VCM pin is designed to directly drive the ADC inputs. The input stage of the ADC sinks a common-mode current in the order of 3.6 µA / MSPS (about 720 µA at 200 MSPS).

REFERENCE

ADS62C17 has built-in internal references REFP and REFM, requiring no external components. Design schemes are used to linearize the converter load seen by the references; this and the on-chip integration of the requisite reference capacitors eliminates the need for external decoupling. The full-scale input range of the converter can be controlled in the external reference mode as explained below. The internal or external reference modes can be selected by programming the serial interface register bit <REF>.

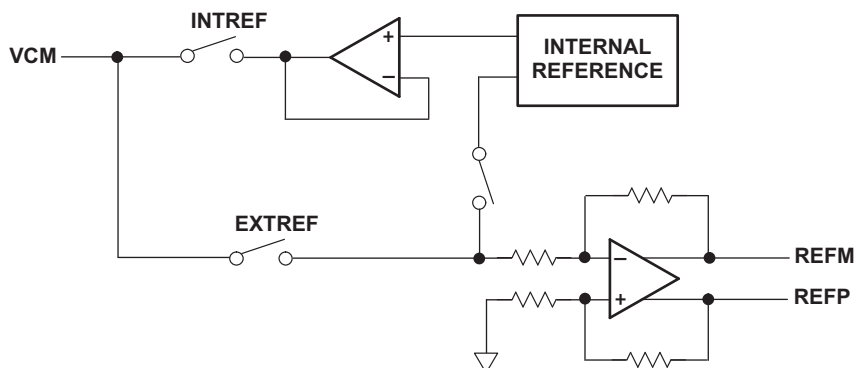


Figure 50. Reference Section

Internal reference

When the device is in internal reference mode, the REFP and REFM voltages are generated internally. Common-mode voltage (1.5V nominal) is output on VCM pin, which can be used to externally bias the analog input pins

External reference

When the device is in external reference mode, the VCM acts as a reference input pin. The voltage forced on the VCM pin is buffered and gained by 1.33 internally, generating the REFP and REFM voltages. The differential input voltage corresponding to full-scale is given by the following:

$$\text{Full-scale differential input pp} = (\text{Voltage forced on VCM}) \times 1.33$$

In this mode, the 1.5V common-mode voltage to bias the input pins has to be generated externally.

SNR ENHANCEMENT USING SNRBOOST

SNRBoost technology makes it possible to overcome SNR limitations due to quantization noise. With SNRBoost, enhanced SNR can be obtained for any bandwidth (less than Nyquist or $F_s/2$, see Table 1). The SNR improvement is achieved without affecting the default harmonic performance. SNRBoost is disabled after reset; it can be enabled using register bit <SNRBoost Enable> or using the control pins CTRL1, 2, 3.

(While using the register bits to control SNRBoost, keep CTRL1, CTRL2, CTRL3 low. To use the CTRL pins as SNRBoost control, reset the <SNRBoost Enable> register bits).

When it is enabled, the noise floor in the spectrum acquires a typical bath-tub shape as shown in Figure 51. The bath-tub is centered around a specific frequency (called center frequency). The center frequency is located mid-way between two corner frequencies, which are specified by the SNRBoost coefficients (Register bits <SNRBoost Coeff1> and SNRBoost Coeff2>).

Table 9 shows the relation between each coefficient and its corner frequency. By choosing appropriate coefficients, the bath-tub can be positioned over the frequency range 0 to $F_s/2$ (Table 10 shows some examples). By positioning the bath-tub within the desired signal band, SNR improvement can be achieved (see Table 1). Note that as the bandwidth is increased, the amount of SNR improvement reduces.

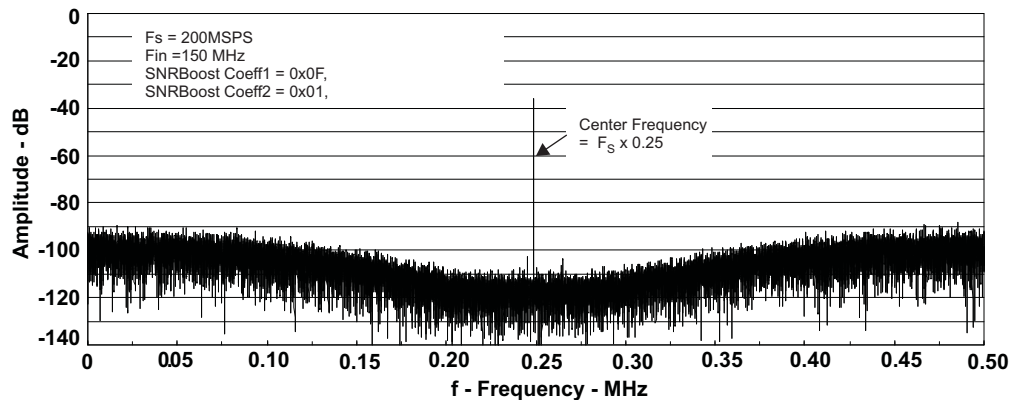


Figure 51. Spectrum with SNRBoost Enabled

Table 9. Setting the Corner Frequency

SNRBoost Coefficient Value	Normalized Corner Frequency (f/fs)	SNRBoost Coefficient value	Normalized Corner Frequency (f/fs)
7	0.420	F	0.230
6	0.385	E	0.210
5	0.357	D	0.189
4	0.333	C	0.167
3	0.311	B	0.143
2	0.290	A	0.115
1	0.270	9	0.080
0	0.250	8	0.000

Table 10. Positioning the Corner Frequency (Some Examples)

SNRBoost Coefficient1, <SNRBoost Coeff1>	Normalized Corner Frequency1 (f/fs)	SNRBoost Coefficient2, <SNRBoost Coeff2>	Normalized Corner Frequency2 (f/fs)	Center Frequency
0	0.250	0	0.250	$F_s \times 0.25$
F	0.230	1	0.270	$F_s \times 0.25$
6	0.385	2	0.290	$F_s \times 0.3375$
D	0.189	B	0.143	$F_s \times 0.166$
9	0.080	7	0.420	$F_s \times 0.25$

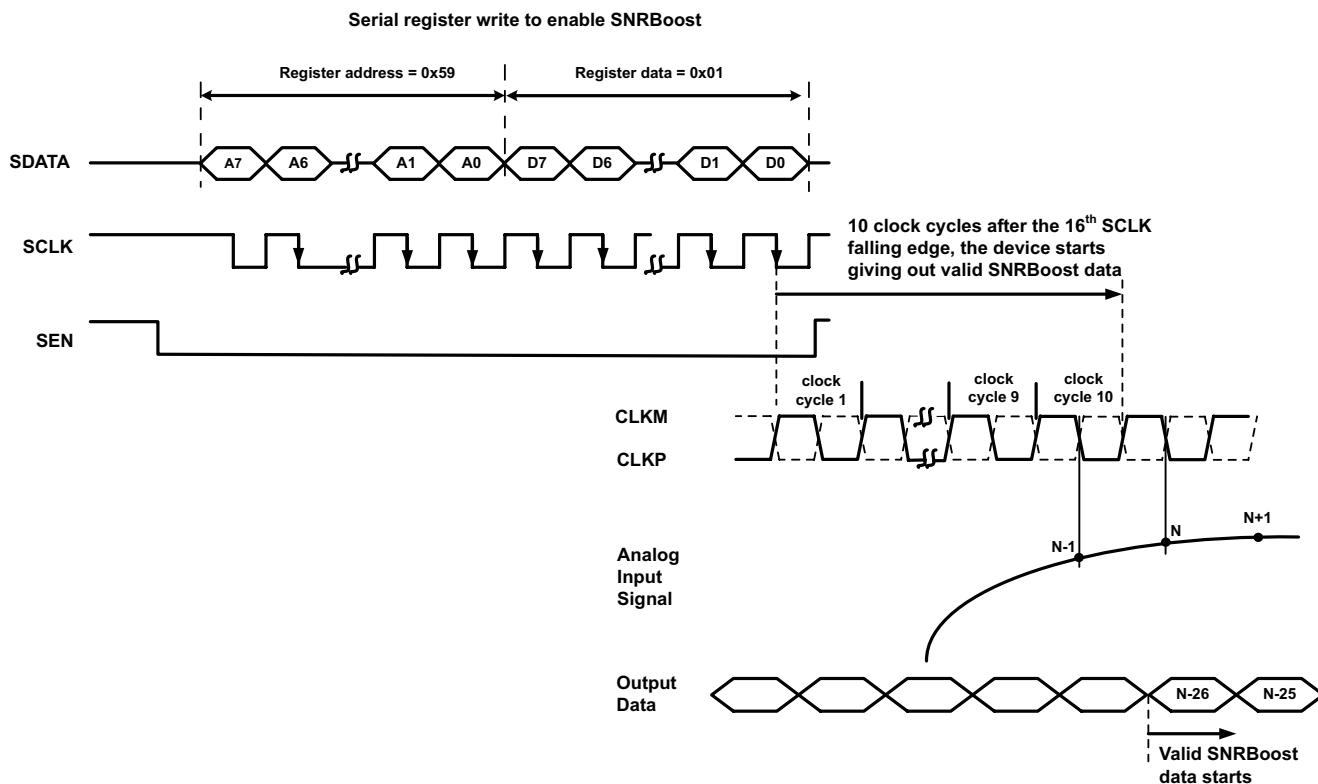


Figure 52. SNRBoost Active Delay

SNRBoost does not introduce any group delay in the input signal path. The ADC latency increases by four clock cycle (to 26 clock cycles). When it is enabled using the serial interface, the mode becomes fully active 10 input clock cycles after the 16th SCLK falling edge. When it is disabled, normal data (without SNRBoost) resumes after 6 clock cycle.

CLOCK INPUT

ADS62C17 clock inputs can be driven differentially (sine, LVPECL or LVDS) or single-ended (LVCMOS), with little or no difference in performance between them. The common-mode voltage of the clock inputs is set to VCM using internal 5-kΩ resistors as shown in Figure 53. This allows using transformer-coupled drive circuits for sine wave clock or ac-coupling for LVPECL, LVDS clock sources (Figure 54 and Figure 55).

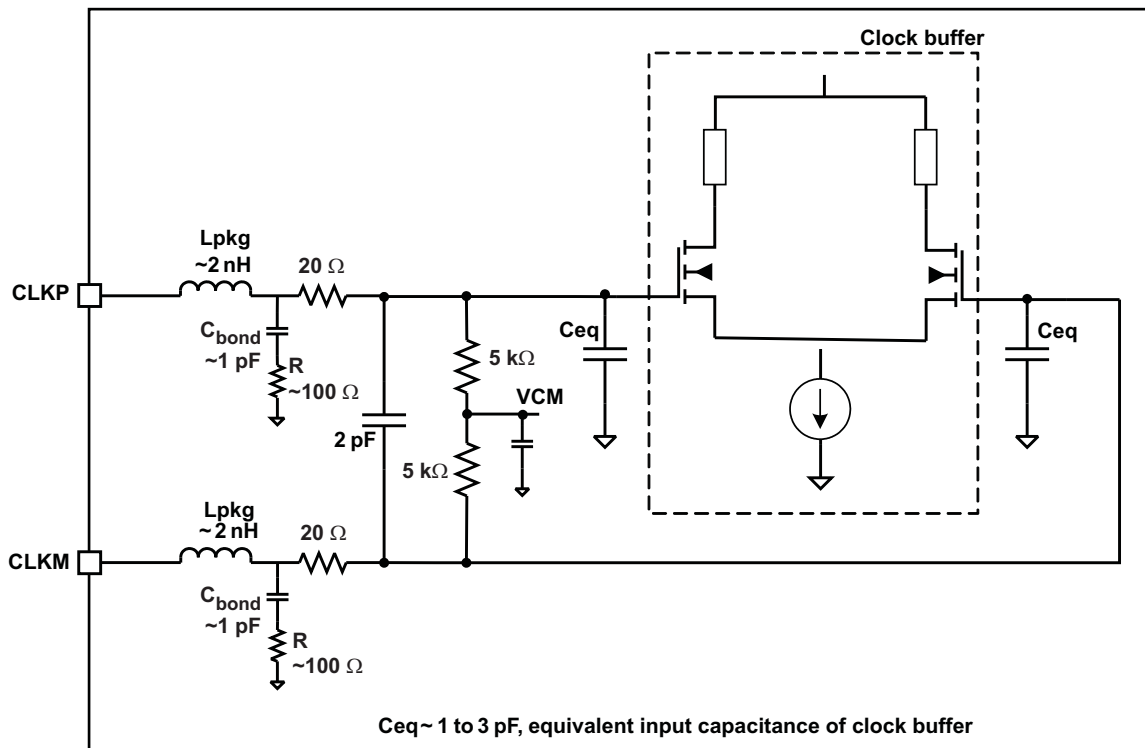


Figure 53. Internal Clock Buffer

For best performance, the clock inputs have to be driven differentially, reducing susceptibility to common-mode noise. For high input frequency sampling, it is recommended to use a clock source with very low jitter. Band-pass filtering of the clock source can help reduce the effect of jitter. There is no change in performance with a non-50% duty cycle clock input.

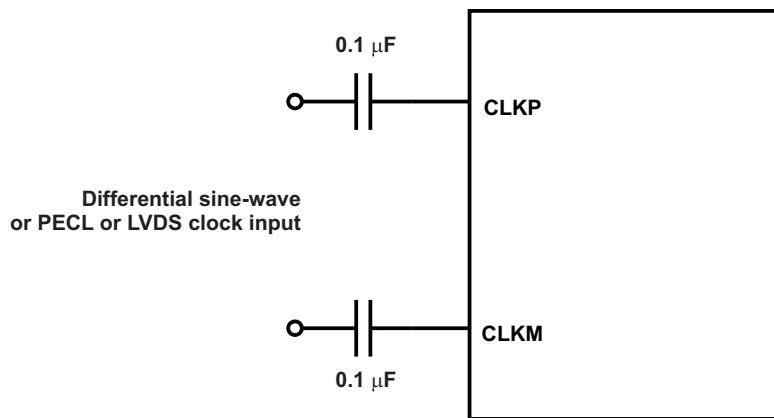


Figure 54. Differential Clock Driving Circuit

Single-ended CMOS clock can be ac-coupled to the CLKP input, with CLKM tied to 1.5V common-mode voltage. As shown in Figure 55, CLKM can be tied to VCM pin.

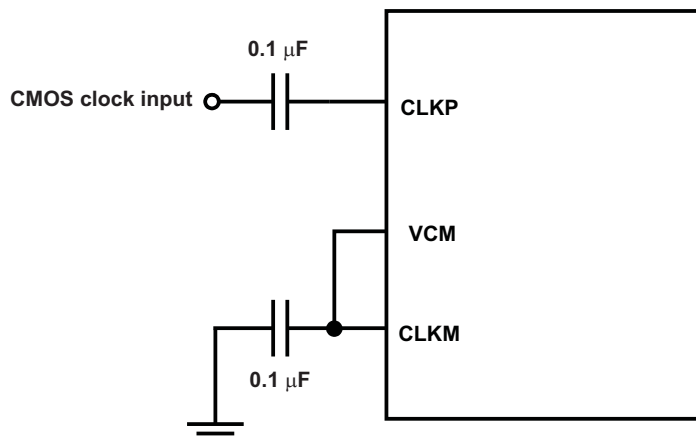


Figure 55. Single-Ended Clock Driving Circuit

GAIN PROGRAMMABILITY

ADS62C17 includes gain settings that can be used to get improved SFDR performance (compared to 0dB gain). The gain is programmable from 0dB to 6dB (in 0.5 dB steps). For each gain setting, the analog input full-scale range scales proportionally, as shown in Table 11.

The SFDR improvement is achieved at the expense of SNR; for each 1dB gain step, the SNR degrades about 1dB. The SNR degradation is less at high input frequencies. As a result, the gain is very useful at high input frequencies as the SFDR improvement is significant with marginal degradation in SNR.

So, the gain can be used to trade-off between SFDR and SNR. Note that the default gain after reset is 0 dB.

Table 11. Full-Scale Range Across Gains

Gain, dB	Full-Scale, Vpp
0	2V
1	1.78
2	1.59
3	1.42
4	1.26
5	1.12
6	1.00

OFFSET CORRECTION

ADS62C17 has an internal offset correction algorithm that estimates and corrects dc offset up to +/-10mV. The correction can be enabled using the serial register bit **<OFFSET CORRECTION ENABLE>**. Once enabled, the algorithm estimates the channel offset and applies the correction every clock cycle. The time constant of the correction loop is a function of the sampling clock frequency. The time constant can be controlled using register bits **<OFFSET CORR TIME CONSTANT>** as described in Table 12.

After the offset is estimated, the correction can be frozen by setting **<OFFSET CORRECTION ENABLE> = 0**.

Once frozen, the last estimated value is used for offset correction every clock cycle. The correction does not affect the phase of the signal. Note that offset correction is disabled by default after reset.

Figure 56 shows the time response of the offset correction algorithm, after it is enabled.

Table 12. Time Constant of Offset Correction Algorithm

<OFFSET CORR TIME CONSTANT> D3-D0	Time Constant (TCCLK), Number of Clock Cycles	Time Constant, sec (=TC _{CLK} x 1/Fs) ⁽¹⁾
0000	256 k	1.2 ms
0001	512 k	2.5 ms
0010	1 M	5 ms
0011	2 M	10 ms
0100	4 M	20 ms
0101	8 M	40 ms
0110	16 M	80 ms
0111	32 M	0.16 s
1000	64 M	0.32 s
1001	128 M	0.64 s
1010	256 M	1.28 s
1011	512 M	2.5 s
1100	RESERVED	
1101	RESERVED	
1110	RESERVED	
1111	RESERVED	

(1) Sampling frequency, F_s = 200 MSPS

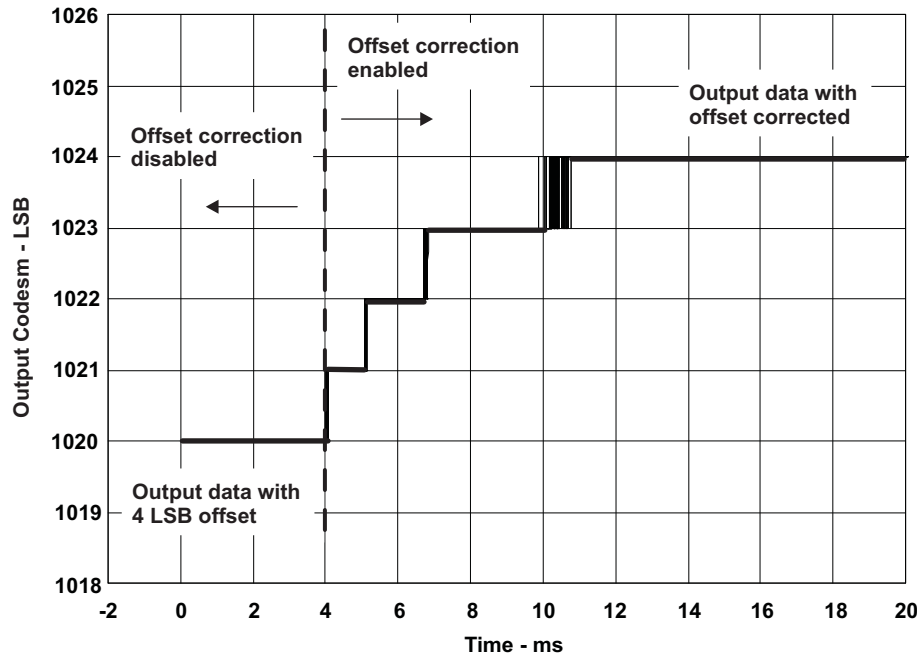


Figure 56. Time Response of Offset Correction

POWER DOWN

ADS62C17 has three power down modes – power down global, individual channel standby and individual channel output buffer disable. These can be set using either the serial register bits or using the control pins CTRL1 to CTRL3.

Table 13. Power Down Controls

POWER DOWN MODES	CONFIGURE USING			WAKE-UP TIME	
	SERIAL INTERFACE	PARALLEL CONTROL PINS			
Normal operation	<POWER DOWN MODES>=0000	<i>low</i>	<i>low</i>	<i>low</i>	–
Output buffer disabled for channel B	<POWER DOWN MODES>=1001	The pins do not support output buffer disable			–
Output buffer disabled for channel A	<POWER DOWN MODES>=1010				–
Output buffer disabled for channel A and B	<POWER DOWN MODES>=1011				Fast (100 ns)
Global power down	<POWER DOWN MODES>=1100	<i>high</i>	<i>low</i>	<i>low</i>	Slow (20 μ s)
Channel B standby	<POWER DOWN MODES>=1101	<i>high</i>	<i>low</i>	<i>high</i>	Fast (1 μ s)
Channel A standby	<POWER DOWN MODES>=1110	<i>high</i>	<i>high</i>	<i>low</i>	Fast (1 μ s)
Multiplexed (MUX) mode – Output data of channel A and B is multiplexed & available on DA10 to DA0 pins.	<POWER DOWN MODES>=1111	<i>high</i>	<i>high</i>	<i>high</i>	–

Power Down Global

In this mode, the entire chip including both the A/D converters, internal reference and the output buffers are powered down resulting in reduced total power dissipation of about 45mW. The output buffers are in high impedance state. The wake-up time from the global power down to data becoming valid in normal mode is typically 20 μ s.

Channel Power Down (individual or both channels)

Here, each channel's A/D converter can be powered down. The internal references are active, resulting in quick wake-up time of 1 μ s. The total power dissipation in standby is about 450 mW.

Output Buffer Disable (individual or both channels)

Each channel's output buffer can be disabled and put in high impedance state – wakeup time from this mode is fast, about 100 ns.

Input Clock Stop

In addition to the above, the converter enters a low-power mode when the input clock frequency falls below 1MSPS. The power dissipation is about 275 mW.

POWER SUPPLY SEQUENCE

During power-up, the AVDD and DRVDD supplies can come up in any sequence. The two supplies are separated in the device.

DIGITAL OUTPUT INTERFACE

ADS62C17 provides 11-bit data and an output clock synchronized with the data.

Two output interface options are available – Double Data Rate (DDR) LVDS and parallel CMOS. They can be selected using the serial interface register bit <LVDS_CMOS> or using DFS pin in parallel configuration mode.

DDR LVDS Interface

In this mode, the data bits and clock are output using LVDS (Low Voltage Differential Signal) levels. Two data bits are multiplexed and output on each LVDS differential pair.

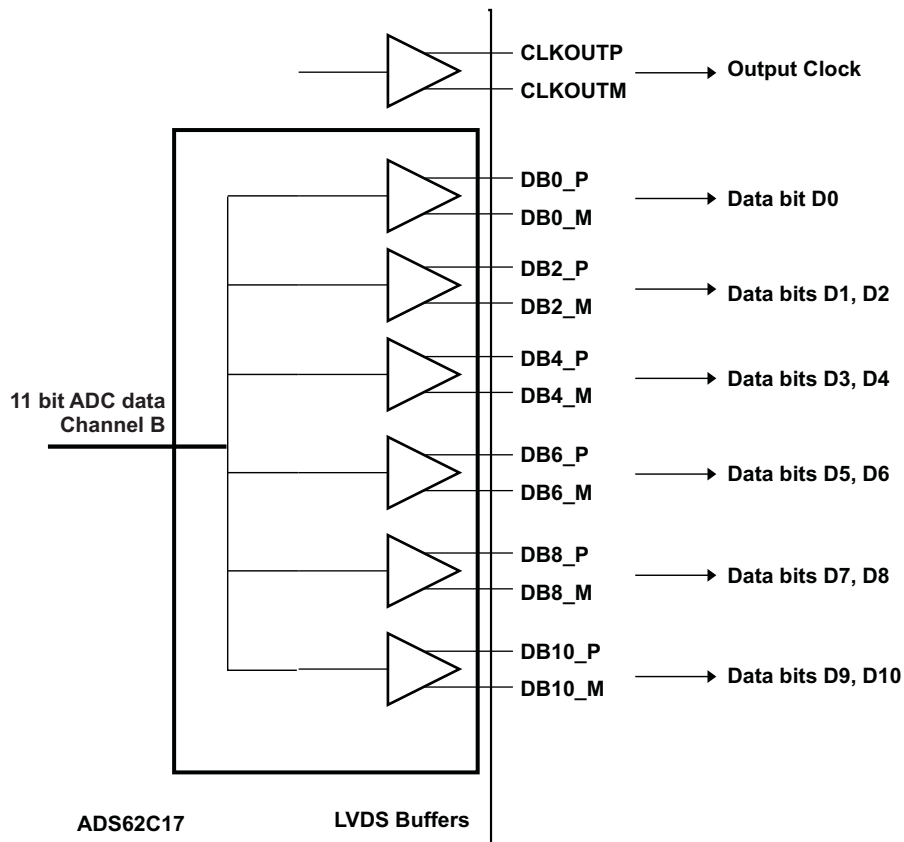


Figure 57. DDR LVDS Outputs

Even data bits D0, D2, D4... are output at the falling edge of CLKOUTP and the odd data bits D1, D3, D5... are output at the rising edge of CLKOUTP. Both the rising and falling edges of CLKOUTP have to be used to capture all the data bits (Figure 58).

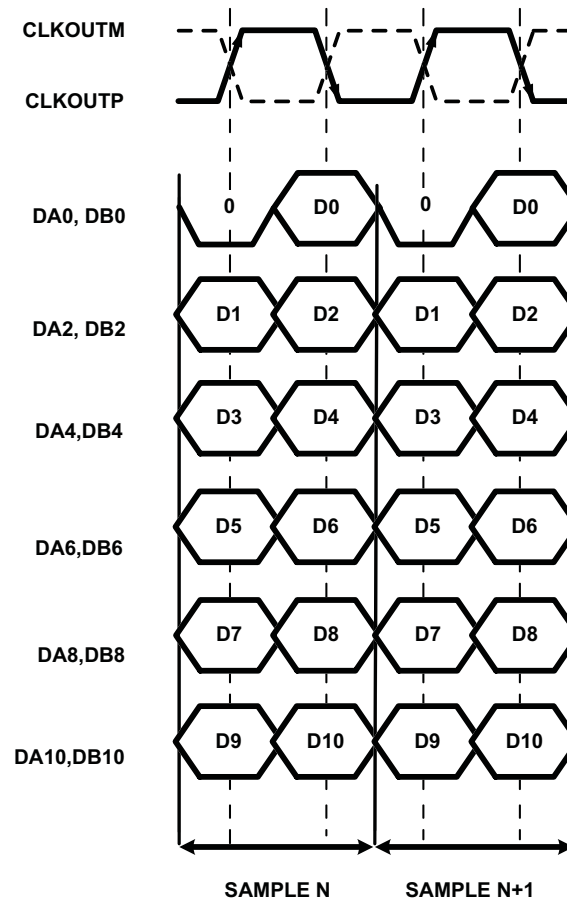
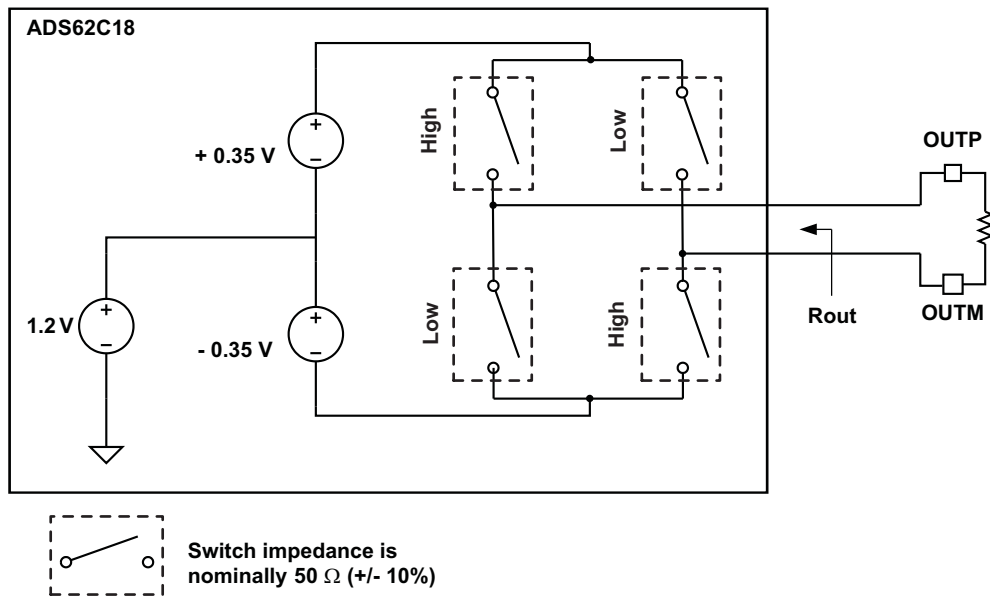


Figure 58. DDR LVDS Interface

LVDS Buffer

The equivalent circuit of each LVDS output buffer is shown in [Figure 59](#). The buffer is designed to present an output impedance of 100Ω (R_{out}). The differential outputs can be terminated at the receive end by a 100Ω termination.

The buffer output impedance behaves like a source-side series termination. By absorbing reflections from the receiver end, it helps to improve signal integrity. Note that this internal termination cannot be disabled and its value cannot be changed.



When the “High” switches are closed, $OUTP = 1.375\text{ V}$, $OUTM = 1.025\text{ V}$
 When the “Low” switches are closed, $OUTP = 1.025\text{ V}$, $OUTM = 1.375\text{ V}$
 When the “High” (or “Low”) switches are closed, $R_{out} = 100\ \Omega$

Figure 59. LVDS Buffer Equivalent Circuit

Parallel CMOS Interface

In the CMOS mode, each data bit is output on separate pin as CMOS voltage level, every clock cycle. The rising edge of the output clock CLKOUT can be used to latch data in the receiver (**for sampling frequencies up to 150 MSPS**).

Up to 150MSPS, the setup and hold timings of the output data with respect to CLKOUT are specified. It is recommended to minimize the load capacitance seen by data and clock output pins by using short traces to the receiver. Also, match the output data and clock traces to minimize the skew between them.

For sampling frequencies above 150 MSPS, it is recommended to use an external clock to capture data. The delay from input clock to output data and the data valid times are specified for the higher sampling frequencies. These timings can be used to delay the input clock appropriately and use it to capture the data.

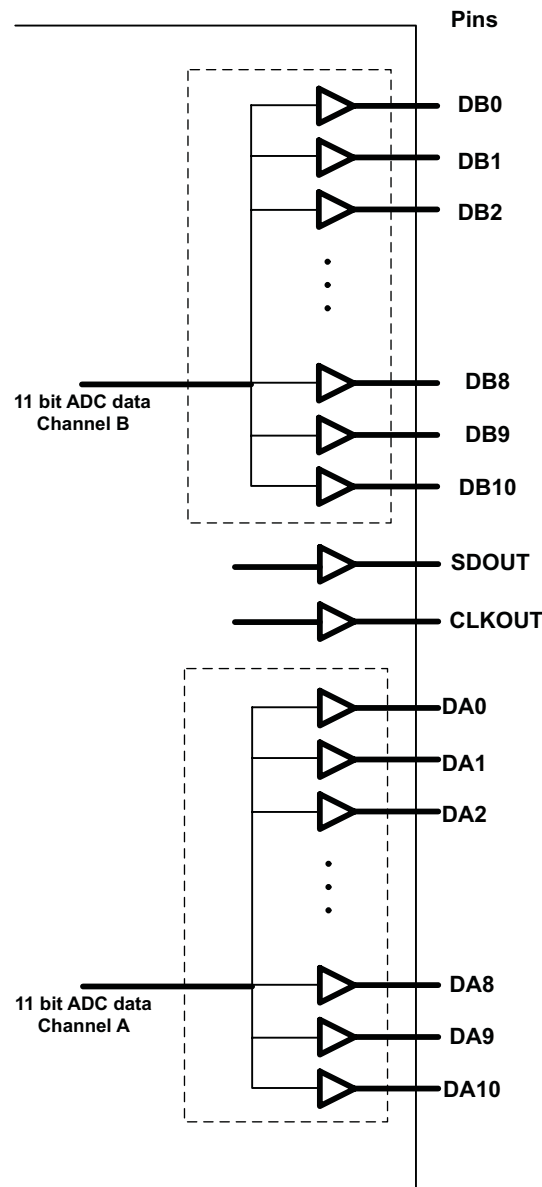


Figure 60. Parallel CMOS Outputs

CMOS Interface Power Dissipation

With CMOS outputs, the DRVDD current scales with the sampling frequency and the load capacitance on every output pin. The maximum DRVDD current occurs when each output bit toggles between 0 and 1 every clock cycle. In actual applications, this condition is unlikely to occur. The actual DRVDD current would be determined by the average number of output bits switching, which is a function of the sampling frequency and the nature of the analog input signal.

$$\text{Digital current due to CMOS output switching} = C_L \times \text{DRVDD} \times (N \times F_{\text{AVG}}),$$

where C_L = load capacitance, $N \times F_{\text{AVG}}$ = average number of output bits switching.

Figure 38 shows the current with various load capacitances across sampling frequencies at 2 MHz analog input frequency.

Output Data Format

Two output data formats are supported – 2s complement and offset binary. They can be selected using the serial interface register bit **<DATA FORMAT>** or controlling the DFS pin in parallel configuration mode.

In the event of an input voltage overdrive, the digital outputs go to the appropriate full scale level. For a positive overdrive, the output code is 0x7FF in offset binary output format, and 0x3FF in 2s complement output format. For a negative input overdrive, the output code is 0x000 in offset binary output format and 0x400 in 2s complement output format.

BOARD DESIGN CONSIDERATIONS

Grounding

A single ground plane is sufficient to give good performance, provided the analog, digital, and clock sections of the board are cleanly partitioned. See the EVM User Guide (SLAU237A) for details on layout and grounding.

Supply Decoupling

As ADS62C17 already includes internal decoupling, minimal external decoupling can be used without loss in performance. Note that decoupling capacitors can help filter external power supply noise, so the optimum number of capacitors would depend on the actual application. The decoupling capacitors should be placed very close to the converter supply pins.

Exposed Pad

In addition to providing a path for heat dissipation, the pad is also electrically connected to digital ground internally. So, it is necessary to solder the exposed pad to the ground plane for best thermal and electrical performance. For detailed information, see application notes *QFN Layout Guidelines* (SLOA122) and **QFN/SON**.

PCB Attachment (SLUA271).

MIGRATION FROM ADS62C15 TO ADS62C17

While migrating from the C15 to C17, note the following differences between the two devices.

ADS62C15	ADS62C17
Pinout	
Pin 22 is AGND	Pin 22 is NC
Pin 64 is DRGND	Pin 64 is SDOUT (Serial readout pin)
Supply	
AVDD is 3.3V	No change
DRVDD is 1.8V to 3.3V (for CMOS interface) and is 3.3V (for LVDS interface)	DRVDD is 1.8V (for both CMOS and LVDS interfaces)
Serial Interface	
Protocol: 8 bit register address & 8 bit register data	No change in protocol
	Serial register map is completely different

DEFINITION OF SPECIFICATIONS

Analog Bandwidth – The analog input frequency at which the power of the fundamental is reduced by 3 dB with respect to the low frequency value.

Aperture Delay – The delay in time between the rising edge of the input sampling clock and the actual time at which the sampling occurs. This delay will be different across channels. The maximum variation is specified as aperture delay variation (channel-channel).

Aperture Uncertainty (Jitter) – The sample-to-sample variation in aperture delay.

Clock Pulse Width/Duty Cycle – The duty cycle of a clock signal is the ratio of the time the clock signal remains at a logic high (clock pulse width) to the period of the clock signal. Duty cycle is typically expressed as a percentage. A perfect differential sine-wave clock results in a 50% duty cycle.

Maximum Conversion Rate – The maximum sampling rate at which certified operation is given. All parametric testing is performed at this sampling rate unless otherwise noted.

Minimum Conversion Rate – The minimum sampling rate at which the ADC functions.

Differential Nonlinearity (DNL) – An ideal ADC exhibits code transitions at analog input values spaced exactly 1 LSB apart. The DNL is the deviation of any single step from this ideal value, measured in units of LSBs.

Integral Nonlinearity (INL) – The INL is the deviation of the ADC's transfer function from a best fit line determined by a least squares curve fit of that transfer function, measured in units of LSBs.

Gain Error – Gain error is the deviation of the ADC's actual input full-scale range from its ideal value. The gain error is given as a percentage of the ideal input full-scale range. Gain error has two components: error due to reference inaccuracy and error due to the channel. Both these errors are specified independently as E_{GREF} and E_{GCHAN} .

To a first order approximation, the total gain error will be $E_{TOTAL} \sim E_{GREF} + E_{GCHAN}$.

For example, if $E_{TOTAL} = \pm 0.5\%$, the full-scale input varies from $(1 - 0.5/100) \times FS_{ideal}$ to $(1 + 0.5/100) \times FS_{ideal}$.

Offset Error – The offset error is the difference, given in number of LSBs, between the ADC's actual average idle channel output code and the ideal average idle channel output code. This quantity is often mapped into mV.

Temperature Drift – The temperature drift coefficient (with respect to gain error and offset error) specifies the change per degree Celsius of the parameter from T_{MIN} to T_{MAX} . It is calculated by dividing the maximum deviation of the parameter across the T_{MIN} to T_{MAX} range by the difference $T_{MAX} - T_{MIN}$.

Signal-to-Noise Ratio – SNR is the ratio of the power of the fundamental (PS) to the noise floor power (PN), excluding the power at DC and the first nine harmonics.

$$SNR = 10 \log_{10} \frac{P_S}{P_N} \quad (3)$$

SNR is either given in units of dBc (dB to carrier) when the absolute power of the fundamental is used as the reference, or dBFS (dB to full scale) when the power of the fundamental is extrapolated to the converter's full-scale range.

Signal-to-Noise and Distortion (SINAD) – SINAD is the ratio of the power of the fundamental (P_S) to the power of all the other spectral components including noise (P_N) and distortion (P_D), but excluding dc.

$$SINAD = 10 \log_{10} \frac{P_S}{P_N + P_D} \quad (4)$$

SINAD is either given in units of dBc (dB to carrier) when the absolute power of the fundamental is used as the reference, or dBFS (dB to full scale) when the power of the fundamental is extrapolated to the converter's full-scale range.

Effective Number of Bits (ENOB) – The ENOB is a measure of the converter performance as compared to the theoretical limit based on quantization noise.

$$\text{ENOB} = \frac{\text{SINAD} - 1.76}{6.02} \quad (5)$$

Total Harmonic Distortion (THD) – THD is the ratio of the power of the fundamental (P_S) to the power of the first nine harmonics (P_N).

$$\text{THD} = 10\text{Log}^{10} \frac{P_S}{P_N} \quad (6)$$

THD is typically given in units of dBc (dB to carrier).

Spurious-Free Dynamic Range (SFDR) – The ratio of the power of the fundamental to the highest other spectral component (either spur or harmonic). SFDR is typically given in units of dBc (dB to carrier).

Two-Tone Intermodulation Distortion – IMD3 is the ratio of the power of the fundamental (at frequencies f_1 and f_2) to the power of the worst spectral component at either frequency $2f_1-f_2$ or $2f_2-f_1$. IMD3 is either given in units of dBc (dB to carrier) when the absolute power of the fundamental is used as the reference, or dBFS (dB to full scale) when the power of the fundamental is extrapolated to the converter's full-scale range.

DC Power Supply Rejection Ratio (DC PSRR) – The DC PSRR is the ratio of the change in offset error to a change in analog supply voltage. The DC PSRR is typically given in units of mV/V.

AC Power Supply Rejection Ratio (AC PSRR) – AC PSRR is the measure of rejection of variations in the supply voltage by the ADC. If ΔV_{SUP} is the change in supply voltage and ΔV_{out} is the resultant change of the ADC output code (referred to the input), then

$$\text{PSRR} = 20\text{Log}^{10} \frac{\Delta V_{\text{OUT}}}{\Delta V_{\text{SUP}}} \quad (\text{Expressed in dBc}) \quad (7)$$

Voltage Overload Recovery – The number of clock cycles taken to recover to less than 1% error after an overload on the analog inputs. This is tested by separately applying a sine wave signal with 6dB positive and negative overload. The deviation of the first few samples after the overload (from their expected values) is noted.

Common Mode Rejection Ratio (CMRR) – CMRR is the measure of rejection of variation in the analog input common-mode by the ADC. If $\Delta V_{\text{cm_in}}$ is the change in the common-mode voltage of the input pins and ΔV_{OUT} is the resultant change of the ADC output code (referred to the input), then

$$\text{CMRR} = 20\text{Log}^{10} \frac{\Delta V_{\text{OUT}}}{\Delta V_{\text{CM}}} \quad (\text{Expressed in dBc}) \quad (8)$$

Cross-Talk (only for multi-channel ADC)– This is a measure of the internal coupling of a signal from adjacent channel into the channel of interest. It is specified separately for coupling from the immediate neighboring channel (near-channel) and for coupling from channel across the package (far-channel). It is usually measured by applying a full-scale signal in the adjacent channel. Cross-talk is the ratio of the power of the coupling signal (as measured at the output of the channel of interest) to the power of the signal applied at the adjacent channel input. It is typically expressed in dBc.

Revision History

Changes from Original (April 2009) to Revision A	Page
• Added missing Value	9
• Added paragraph - This disables any further writes into the registers, EXCEPT the register at address 0. Note that the <SERIAL READOUT> bit is also located in register 0. The device can exit readout mode by writing <SERIAL READOUT> to 0. Also, only the	15
• Changed To - To exit the serial readout mode, reset register bit <SERIAL READOUT> =0, which enables writes into all registers of the device.	15
• Changed Normalized Corner Frequencies changed to fix error with respect to the mapping between the SNRBoost coefficient value and normalized corner frequency (f/fs).	48
• Changed values for Normalized Corner Frequency1, 2, and center frequency	49

PACKAGING INFORMATION

Orderable Device	Status ⁽¹⁾	Package Type	Package Drawing	Pins	Package Qty	Eco Plan ⁽²⁾	Lead/Ball Finish	MSL Peak Temp ⁽³⁾
ADS62C17IRGC25	ACTIVE	VQFN	RGC	64	25	Green (RoHS & no Sb/Br)	CU NIPDAU	Level-3-260C-168 HR
ADS62C17IRGCR	ACTIVE	VQFN	RGC	64	2000	Green (RoHS & no Sb/Br)	CU NIPDAU	Level-3-260C-168 HR
ADS62C17IRGCT	ACTIVE	VQFN	RGC	64	250	Green (RoHS & no Sb/Br)	CU NIPDAU	Level-3-260C-168 HR

⁽¹⁾ The marketing status values are defined as follows:

ACTIVE: Product device recommended for new designs.

LIFEBUY: TI has announced that the device will be discontinued, and a lifetime-buy period is in effect.

NRND: Not recommended for new designs. Device is in production to support existing customers, but TI does not recommend using this part in a new design.

PREVIEW: Device has been announced but is not in production. Samples may or may not be available.

OBSOLETE: TI has discontinued the production of the device.

⁽²⁾ Eco Plan - The planned eco-friendly classification: Pb-Free (RoHS), Pb-Free (RoHS Exempt), or Green (RoHS & no Sb/Br) - please check <http://www.ti.com/productcontent> for the latest availability information and additional product content details.

TBD: The Pb-Free/Green conversion plan has not been defined.

Pb-Free (RoHS): TI's terms "Lead-Free" or "Pb-Free" mean semiconductor products that are compatible with the current RoHS requirements for all 6 substances, including the requirement that lead not exceed 0.1% by weight in homogeneous materials. Where designed to be soldered at high temperatures, TI Pb-Free products are suitable for use in specified lead-free processes.

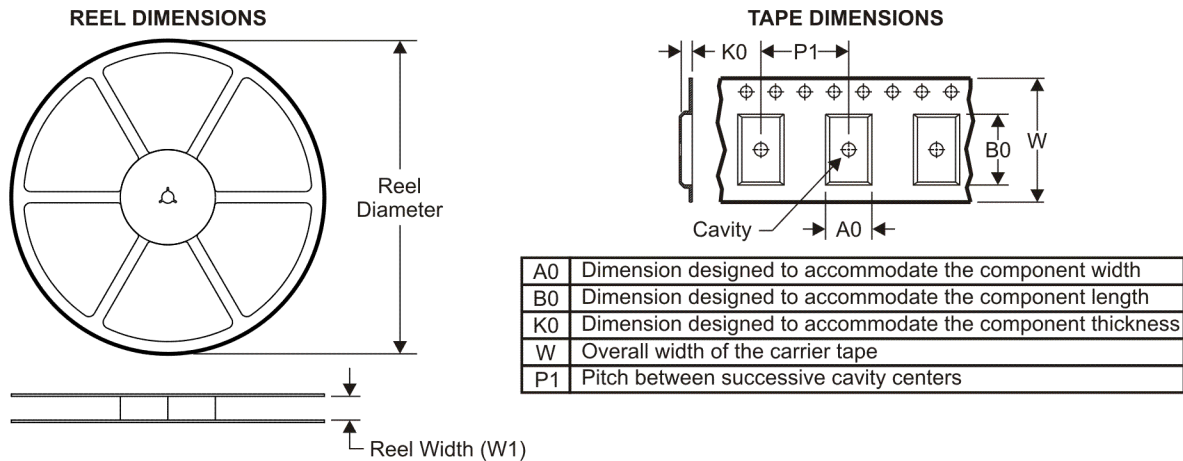
Pb-Free (RoHS Exempt): This component has a RoHS exemption for either 1) lead-based flip-chip solder bumps used between the die and package, or 2) lead-based die adhesive used between the die and leadframe. The component is otherwise considered Pb-Free (RoHS compatible) as defined above.

Green (RoHS & no Sb/Br): TI defines "Green" to mean Pb-Free (RoHS compatible), and free of Bromine (Br) and Antimony (Sb) based flame retardants (Br or Sb do not exceed 0.1% by weight in homogeneous material)

⁽³⁾ MSL, Peak Temp. -- The Moisture Sensitivity Level rating according to the JEDEC industry standard classifications, and peak solder temperature.

Important Information and Disclaimer: The information provided on this page represents TI's knowledge and belief as of the date that it is provided. TI bases its knowledge and belief on information provided by third parties, and makes no representation or warranty as to the accuracy of such information. Efforts are underway to better integrate information from third parties. TI has taken and continues to take reasonable steps to provide representative and accurate information but may not have conducted destructive testing or chemical analysis on incoming materials and chemicals. TI and TI suppliers consider certain information to be proprietary, and thus CAS numbers and other limited information may not be available for release.

In no event shall TI's liability arising out of such information exceed the total purchase price of the TI part(s) at issue in this document sold by TI to Customer on an annual basis.

TAPE AND REEL INFORMATION

QUADRANT ASSIGNMENTS FOR PIN 1 ORIENTATION IN TAPE


*All dimensions are nominal

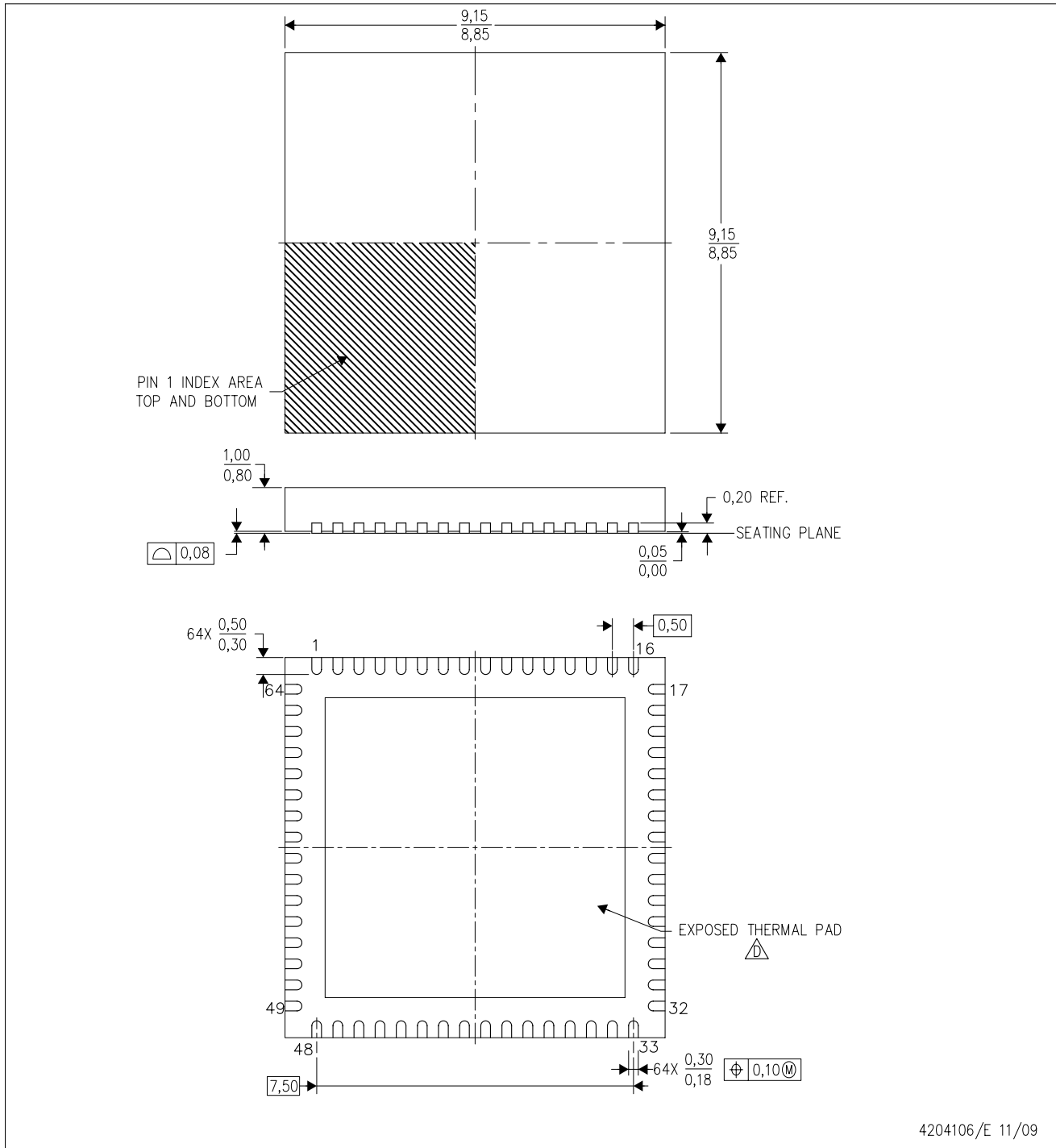
Device	Package Type	Package Drawing	Pins	SPQ	Reel Diameter (mm)	Reel Width W1 (mm)	A0 (mm)	B0 (mm)	K0 (mm)	P1 (mm)	W (mm)	Pin1 Quadrant
ADS62C17IRGCR	VQFN	RGC	64	2000	330.0	16.4	9.3	9.3	1.5	12.0	16.0	Q2
ADS62C17IRGCT	VQFN	RGC	64	250	330.0	16.4	9.3	9.3	1.5	12.0	16.0	Q2

TAPE AND REEL BOX DIMENSIONS



*All dimensions are nominal

Device	Package Type	Package Drawing	Pins	SPQ	Length (mm)	Width (mm)	Height (mm)
ADS62C17IRGCR	VQFN	RGC	64	2000	333.2	345.9	28.6
ADS62C17IRGCT	VQFN	RGC	64	250	333.2	345.9	28.6

RGC(S-PVQFN-N64) CUSTOM DEVICE PLASTIC QUAD FLATPACK NO-LEAD



4204106/E 11/09

- NOTES:
- A. All linear dimensions are in millimeters. Dimensioning and tolerancing per ASME Y14.5-1994.
 - B. This drawing is subject to change without notice.
 - C. Quad Flatpack, No-leads (QFN) package configuration.
 -  The package thermal pad must be soldered to the board for thermal and mechanical performance. See the Product Data Sheet for details regarding the exposed thermal pad dimensions.

THERMAL PAD MECHANICAL DATA

RGC (S-PVQFN-N64)

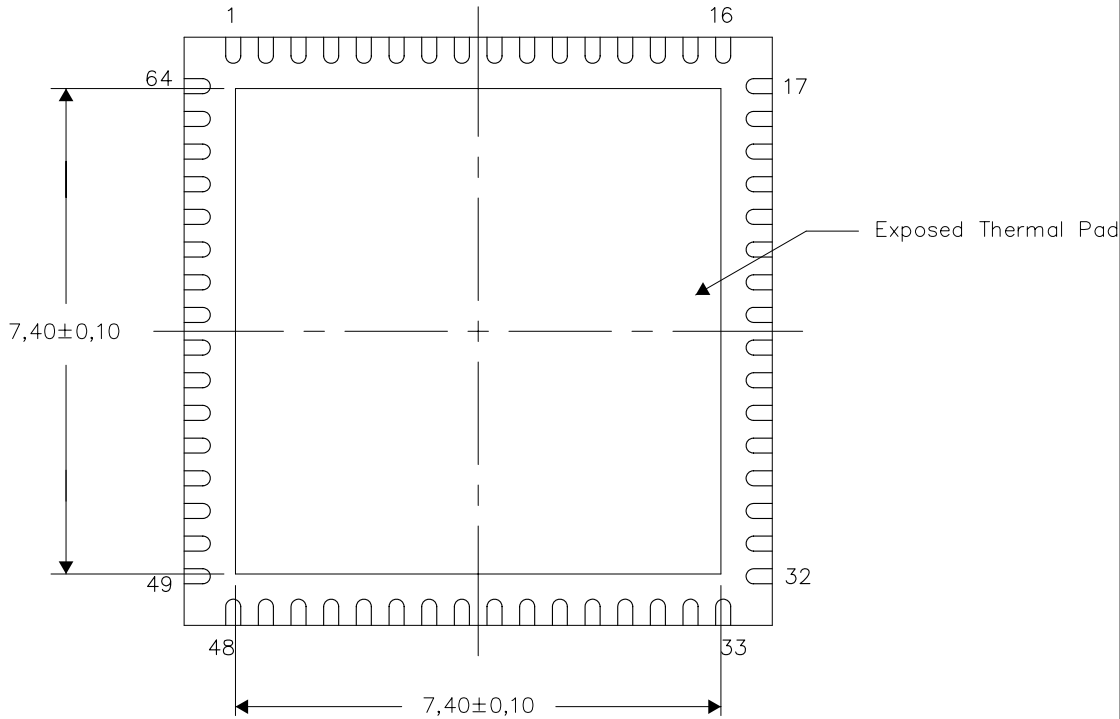
PLASTIC QUAD FLATPACK NO-LEAD

THERMAL INFORMATION

This package incorporates an exposed thermal pad that is designed to be attached directly to an external heatsink. The thermal pad must be soldered directly to the printed circuit board (PCB). After soldering, the PCB can be used as a heatsink. In addition, through the use of thermal vias, the thermal pad can be attached directly to the appropriate copper plane shown in the electrical schematic for the device, or alternatively, can be attached to a special heatsink structure designed into the PCB. This design optimizes the heat transfer from the integrated circuit (IC).

For information on the Quad Flatpack No-Lead (QFN) package and its advantages, refer to Application Report, QFN/SON PCB Attachment, Texas Instruments Literature No. SLUA271. This document is available at www.ti.com.

The exposed thermal pad dimensions for this package are shown in the following illustration.



Bottom View

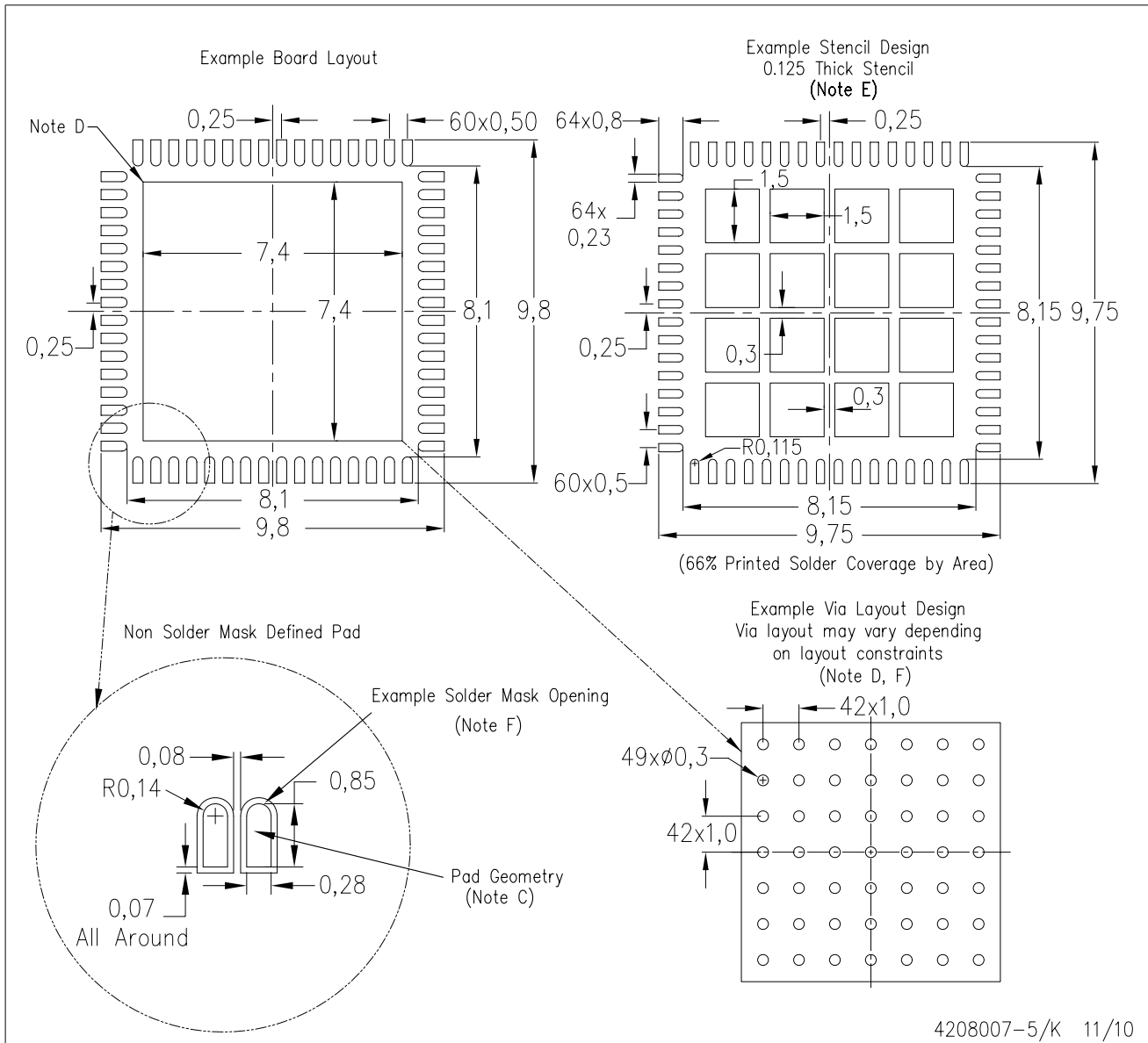
Exposed Thermal Pad Dimensions

4206192-4/M 11/10

NOTE: A. All linear dimensions are in millimeters

RGC (S-PVQFN-N64)

PLASTIC QUAD FLATPACK NO-LEAD



- NOTES:
- A. All linear dimensions are in millimeters.
 - B. This drawing is subject to change without notice.
 - C. Publication IPC-7351 is recommended for alternate designs.
 - D. This package is designed to be soldered to a thermal pad on the board. Refer to Application Note, Quad Flat-Pack Packages, Texas Instruments Literature No. SLUA271, and also the Product Data Sheets for specific thermal information, via requirements, and recommended board layout. These documents are available at www.ti.com <<http://www.ti.com>>.
 - E. Laser cutting apertures with trapezoidal walls and also rounding corners will offer better paste release. Customers should contact their board assembly site for stencil design recommendations. Refer to IPC 7525 for stencil design considerations.
 - F. Customers should contact their board fabrication site for recommended solder mask tolerances and via tenting recommendations for vias placed in thermal pad.

IMPORTANT NOTICE

Texas Instruments Incorporated and its subsidiaries (TI) reserve the right to make corrections, modifications, enhancements, improvements, and other changes to its products and services at any time and to discontinue any product or service without notice. Customers should obtain the latest relevant information before placing orders and should verify that such information is current and complete. All products are sold subject to TI's terms and conditions of sale supplied at the time of order acknowledgment.

TI warrants performance of its hardware products to the specifications applicable at the time of sale in accordance with TI's standard warranty. Testing and other quality control techniques are used to the extent TI deems necessary to support this warranty. Except where mandated by government requirements, testing of all parameters of each product is not necessarily performed.

TI assumes no liability for applications assistance or customer product design. Customers are responsible for their products and applications using TI components. To minimize the risks associated with customer products and applications, customers should provide adequate design and operating safeguards.

TI does not warrant or represent that any license, either express or implied, is granted under any TI patent right, copyright, mask work right, or other TI intellectual property right relating to any combination, machine, or process in which TI products or services are used. Information published by TI regarding third-party products or services does not constitute a license from TI to use such products or services or a warranty or endorsement thereof. Use of such information may require a license from a third party under the patents or other intellectual property of the third party, or a license from TI under the patents or other intellectual property of TI.

Reproduction of TI information in TI data books or data sheets is permissible only if reproduction is without alteration and is accompanied by all associated warranties, conditions, limitations, and notices. Reproduction of this information with alteration is an unfair and deceptive business practice. TI is not responsible or liable for such altered documentation. Information of third parties may be subject to additional restrictions.

Resale of TI products or services with statements different from or beyond the parameters stated by TI for that product or service voids all express and any implied warranties for the associated TI product or service and is an unfair and deceptive business practice. TI is not responsible or liable for any such statements.

TI products are not authorized for use in safety-critical applications (such as life support) where a failure of the TI product would reasonably be expected to cause severe personal injury or death, unless officers of the parties have executed an agreement specifically governing such use. Buyers represent that they have all necessary expertise in the safety and regulatory ramifications of their applications, and acknowledge and agree that they are solely responsible for all legal, regulatory and safety-related requirements concerning their products and any use of TI products in such safety-critical applications, notwithstanding any applications-related information or support that may be provided by TI. Further, Buyers must fully indemnify TI and its representatives against any damages arising out of the use of TI products in such safety-critical applications.

TI products are neither designed nor intended for use in military/aerospace applications or environments unless the TI products are specifically designated by TI as military-grade or "enhanced plastic." Only products designated by TI as military-grade meet military specifications. Buyers acknowledge and agree that any such use of TI products which TI has not designated as military-grade is solely at the Buyer's risk, and that they are solely responsible for compliance with all legal and regulatory requirements in connection with such use.

TI products are neither designed nor intended for use in automotive applications or environments unless the specific TI products are designated by TI as compliant with ISO/TS 16949 requirements. Buyers acknowledge and agree that, if they use any non-designated products in automotive applications, TI will not be responsible for any failure to meet such requirements.

Following are URLs where you can obtain information on other Texas Instruments products and application solutions:

Products		Applications	
Amplifiers	amplifier.ti.com	Audio	www.ti.com/audio
Data Converters	dataconverter.ti.com	Automotive	www.ti.com/automotive
DLP® Products	www.dlp.com	Communications and Telecom	www.ti.com/communications
DSP	dsp.ti.com	Computers and Peripherals	www.ti.com/computers
Clocks and Timers	www.ti.com/clocks	Consumer Electronics	www.ti.com/consumer-apps
Interface	interface.ti.com	Energy	www.ti.com/energy
Logic	logic.ti.com	Industrial	www.ti.com/industrial
Power Mgmt	power.ti.com	Medical	www.ti.com/medical
Microcontrollers	microcontroller.ti.com	Security	www.ti.com/security
RFID	www.ti-rfid.com	Space, Avionics & Defense	www.ti.com/space-avionics-defense
RF/IF and ZigBee® Solutions	www.ti.com/lprf	Video and Imaging	www.ti.com/video
		Wireless	www.ti.com/wireless-apps