

MATERIALS:
 INSULATOR: P.B.T. 30% GLASS FIBER, UL94V-0
 CONTACT MATERIAL: BRASS OR PHOSPHOR BRONZE,
 UNDERPLATE: NICKEL
 CONTACT AREA: 1u"~30u" SELECTIVE GOLD
ELECTRICAL:
 CURRENT RATING: 1AMP.
 INSULATION RESISTANCE: 1000MΩ MIN.
 DIELECTRIC WITHSTANDING: 500VAC
 OPERATING TEMPERATURE: -55°C~+105°C

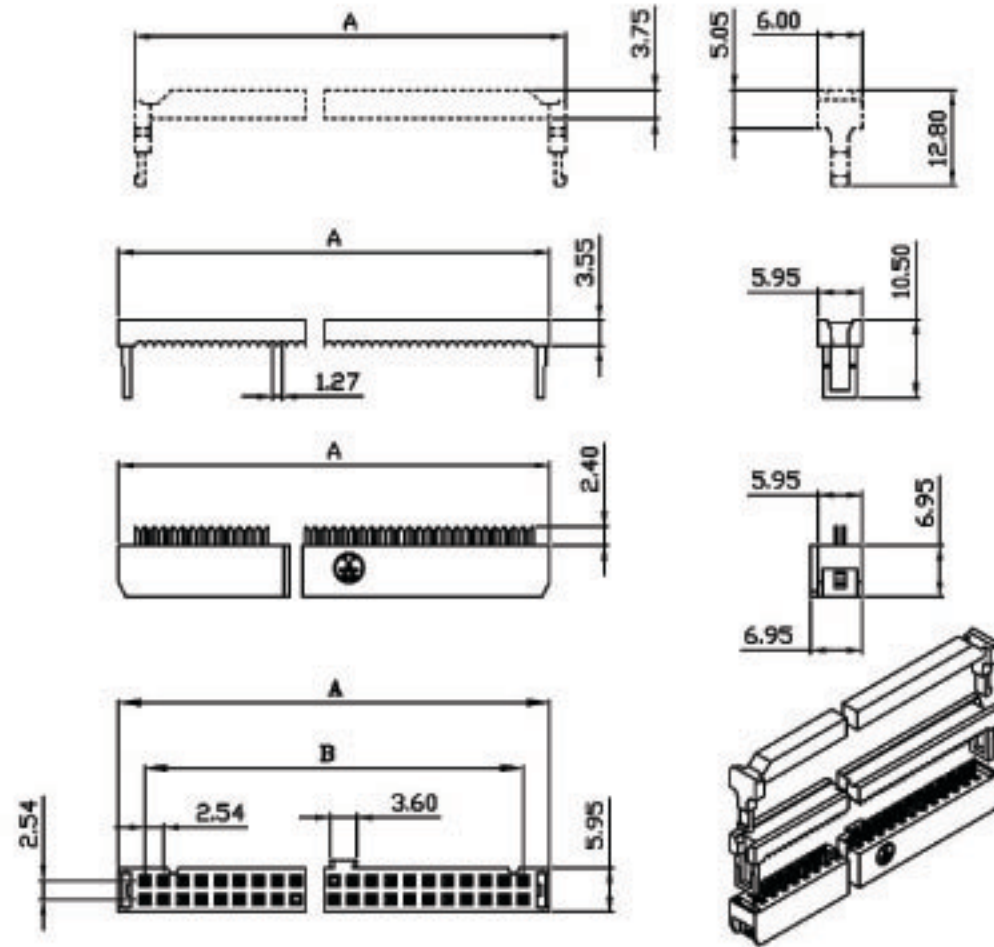
AWPxx-xx4x-T-R

Upper Part:
 0 - without strain relief
 1 - with strain relief

Plating
 5 - full-tin plated
 2 - Quality class III
 gold flash selective

No. of Contacts:
 06/08/10/14/16/20/26/34
 40/50/60/64

7 - w/ polarized key,
 8 - w/o polarized key



DIMENSION					
POSITION	A	B	POSITION	A	B
06P	12.18	05.08	24P	35.04	27.94
08P	14.72	07.62	26P	37.58	30.48
10P	17.26	10.16	30P	42.66	35.56
12P	19.80	12.70	34P	47.74	40.64
14P	22.34	15.24	36P	50.43	43.18
16P	24.88	17.78	40P	55.36	48.26
18P	27.42	20.32	44P	60.64	53.34
20P	29.96	22.86	50P	68.06	60.96

UNLESS OTHERWISE SPECIFIED TOLERANCE			
±0.2			
SCALE: AS SHOWN	UNIT: mm	DRAWN NAME: I.D.C. SOCKET-DUAL ROW (PITCH:2.54mm) 1/3	
DRAWN: JOE	12/15/05	PRODUCT NO. AWPxx-xx4x-T-R	
CHECKED: / /		FILE NAME:	
APPROVED: / /			

REV.	DESCRIPTION	DATE
A	ECN-0512087(Emily)	12/14/05

DATE: 12/14/05
 SIZE: A4
 REV: A