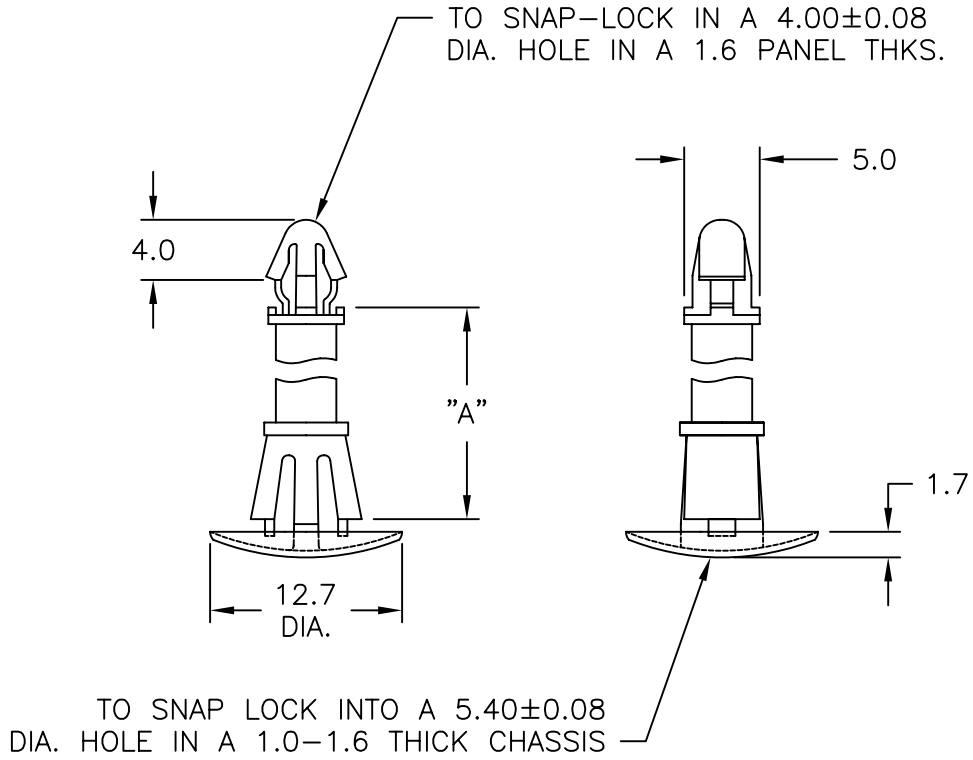


PART NO.	"A"±0.4
CRLCBSK-2-8-01	8.0 mm
CRLCBSK-2-10-01	10.0 mm
CRLCBSK-2-12-01	12.0 mm
CRLCBSK-2-14-01	14.0 mm



NOTES:

1. MATERIAL: NYLON 6/6 (RMS-01).
COLOR: NATURAL.
2. FLAME RETARDANT NYLON (RMS-19),
AVAILABLE BY SPECIAL ORDER ONLY.

TITLE: CUPPED REVERSE LOCKING CIRCUIT BOARD SUPPORT (METRIC)			DWG IN METRIC			
TOLERANCES UNLESS NOTED X.X=±0.25 X.XX=±0.13 ANG=±1°			FILE # CRLCBSK-2	DWN: J.B.	APP:	
MAT'L: SEE NOTES			DT: 12-18-96		DT:	
RE: RICHCO, INC.			RICHCO INC. PO BOX 804238, CHICAGO, 60680 (773) 539-4060		PART # SEE TABLE	
PRINT TYPE CA						

B	UPDATED PRINT	SM 02.07.02
A	ADDED NOTE 2. & CHANGED FILE NUMBER	SM 09.04.01
REV	DESCRIPTION	ENGR DATE