

IEC Appliance Connector C14 with Line Switch 1- or 2-pole

new



C14



70 °C

**Description**

- Panel Mount:  
Screw-on version from front or rear side, snap-in version from front side
- 2 Functions:  
Inlet Protection class I, Line switch 1- or 2-pole
- Quick connect terminals 4.8 x 0.8 mm
- Alternative: version with line filter [DC12](#)
- Substitute for type [KEB1](#); [KEB2](#)

**Approvals**

- VDE License Number: 40007009
- UL License Number: E96454

**Characteristics**

- Ultra-compact design
- All single elements are already wired  
Unwired versions available on request
- Line switch non-illuminated or illuminated
- Ideal for application with high transient loads
- Qualified for use in equipment according IEC/EN 60950

**Other versions on request**

- Snap-in, panel thickness 1 and 3 mm
- Unwired versions
- Solder terminals
- Line switch with other rocker marking
- Line switch 1-pole
- For protection class II

**Weblinks**

[Approvals](#), [RoHS](#), [CHINA-RoHS](#), [e-Store](#), [SCHURTER-Stock-Check](#), [Distributor-Stock-Check](#)

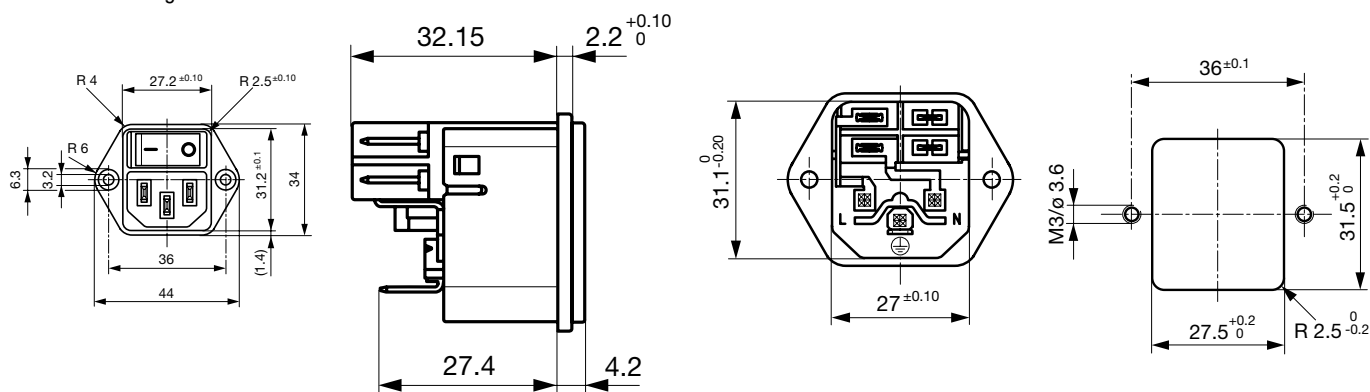
**Technical Data**

Ratings IEC	10A / 250VAC; 50Hz
Ratings UL/CSA	15A / 250VAC; 50/60Hz
Dielectric Strength	> 2.5 kVAC between L-N > 3 kVAC between L/N-PE (1 min/50Hz)
Allowable Operation Temp.	-25 °C to 70 °C
Degree of Protection	from front side IP 40 acc. to IEC 60529
Protection Class	Suitable for appliances with protection class I acc. to IEC 61140
Terminal	Quick connect terminals 4.8 x 0.8 mm
Panel Thickness s	Screw-on: max 6 mm Mounting screw torque max 0.5 Nm Snap-in: 1.5/ 2/ 2.5 mm
Material: Housing	Thermoplastic, black, UL 94V-0

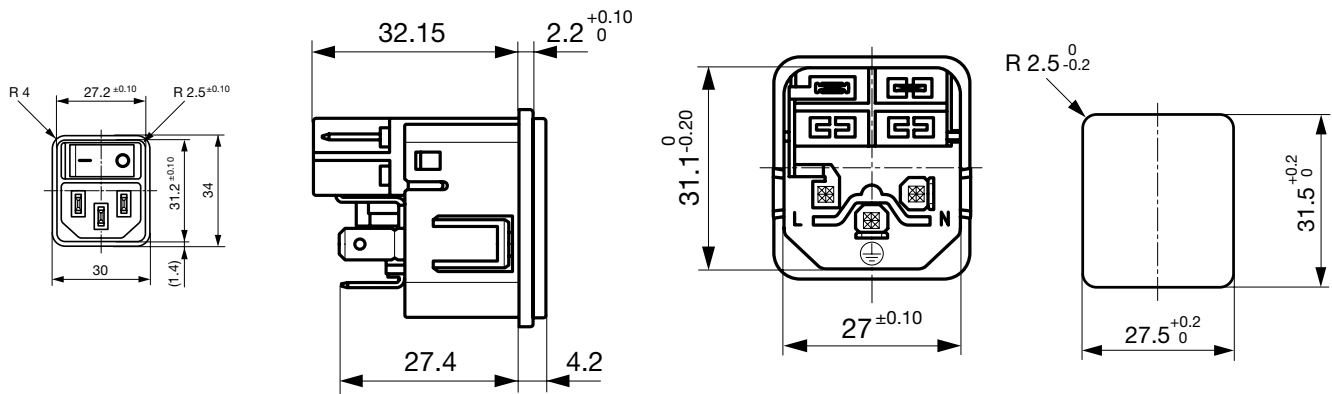
Appliance-Inlet/-Outlet	C14 acc. to IEC/EN 60320-1, UL 498, CSA C22.2 no. 42 (for cold conditions) pin-temperature 70 °C, 10A, Protection class I
Line Switch	Rocker switch 1 or 2 pole, non-illuminated or illuminated, acc. to IEC 61058-1 <a href="#">Technical details</a>

**Dimensions**

Screw-on mounting

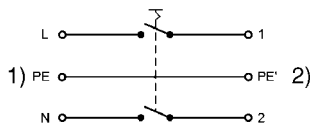


### Snap-in mounting



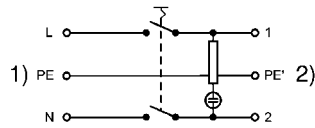
### Diagrams

Line switch non-illuminated 2-pole



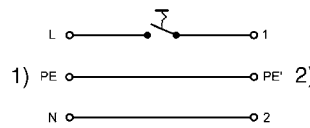
1) Line  
2) Load

Line switch illuminated 2-pole



1) Line  
2) Load

Line switch non-illuminated 1-pole



1) Line  
2) Load

### Variants

[Distributor-Stock-Check](#) | [SCHURTER-Stock-Check](#) | [e-Store](#)

with internal connections

Rated Current UL [A]	Panel mounting	Panel Thickness s [mm]	Line Switch	Illumination	Color	Order Number
12	Screw-on	-	2-pole	●	red	DC11.0021.001
15	Screw-on	-	2-pole	●	red	DC11.0021.006
12	Snap-in	1.5	2-pole	●	red	DC11.0021.201
15	Snap-in	1.5	2-pole	●	red	DC11.0021.206
12	Snap-in	2	2-pole	●	red	DC11.0021.301
12	Snap-in	2.5	2-pole	●	red	DC11.0021.401
12	Screw-on	-	2-pole	●	green	DC11.0031.001
12	Snap-in	1.5	2-pole	●	green	DC11.0031.201
12	Snap-in	2	2-pole	●	green	DC11.0031.301
12	Snap-in	2.5	2-pole	●	green	DC11.0031.401
12	Screw-on	-	2-pole	-	-	DC11.0001.001
12	Screw-on	-	1 pole	-	-	DC11.0001.003
15	Screw-on	-	2-pole	-	-	DC11.0001.006
15	Screw-on	-	1 pole	-	-	DC11.0001.007
12	Snap-in	1.5	2-pole	-	-	DC11.0001.201
12	Snap-in	1.5	1 pole	-	-	DC11.0001.203
15	Snap-in	1.5	2-pole	-	-	DC11.0001.206
15	Snap-in	1.5	1 pole	-	-	DC11.0001.207
12	Snap-in	2	2-pole	-	-	DC11.0001.301
12	Snap-in	2	1 pole	-	-	DC11.0001.303
12	Snap-in	2.5	2-pole	-	-	DC11.0001.401
12	Snap-in	2.5	1 pole	-	-	DC11.0001.403

All variants according VDE (ENEC 10) approved for 10 A

**Packaging unit** 50 Pcs

Accessory

Description



Assorted Covers  
Rear Cover

0859.0047

4311.9403



Cord retaining kits  
Cord retaining strain relieve

Flat head, A

4700.0001

Countersunk, B

4700.0002