

IEC Appliance Coupler C20 with Line Switch, 1- or 2-pole

Snap-In Version or Screw-On Version
illuminated versionC20

70 °C**Description**

- Panel Mount:
Screw-on version from front or rear side, snap-in version from front side
- 2 Functions:
Inlet Protection class I, Line switch 2-pole
- Quick connect terminals 6.3 x 0.8 mm
- Alternative: version with line filter [EC12](#)

Approvals

- VDE License Number: 40001031
- UL License Number: E96454

Characteristics

- All single elements are already wired
Unwired versions available on request
- Line switch non-illuminated or illuminated
- Ideal for application with high transient loads
- Qualified for use in equipment according IEC/EN 60950

Other versions on request

- Unwired versions
- Line switch with other rocker marking
- For protection class II

Weblinks

[Approvals](#), [RoHS](#), [CHINA-RoHS](#), [e-Store](#), [SCHURTER-Stock-Check](#), [Distributor-Stock-Check](#)

Technical Data

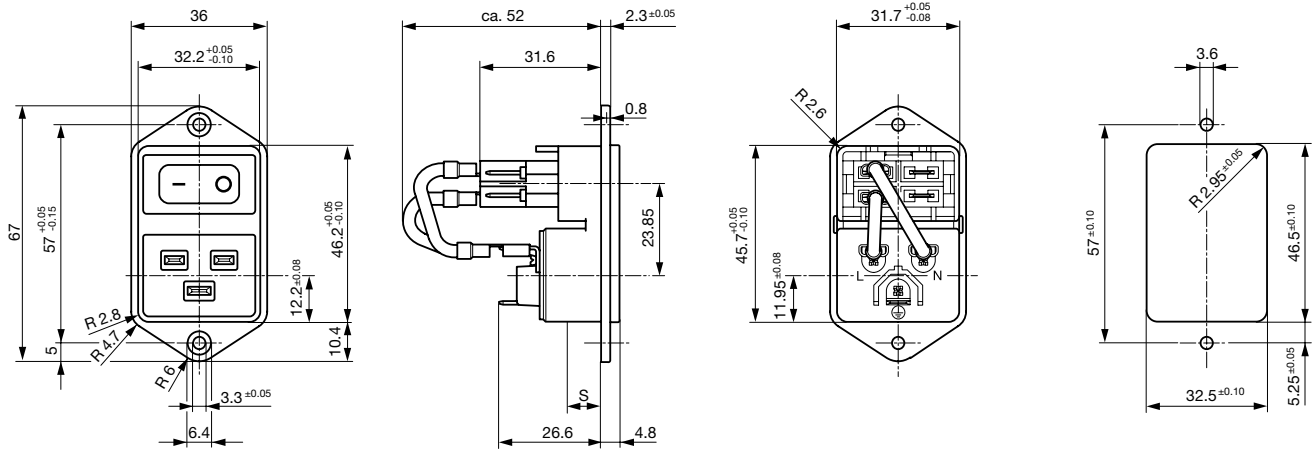
Ratings IEC	16A / 250VAC; 50Hz
Ratings UL/CSA	20A / 250VAC; 60Hz
Dielectric Strength	> 2.5kVAC between L-N > 3kVAC between L/N-PE (1 min/50Hz)
Allowable Operation Temp.	-25 °C to 70 °C
Degree of Protection	from front side IP 40 acc. to IEC 60529
Protection Class	Suitable for appliances with protection class I acc. to IEC 61140
Terminal	Quick connect terminals 6.3 x 0.8 mm
Panel Thickness s	Screw-on: max 8 mm Mounting screw torque max 0.5Nm Snap-in: 1.5/ 2/ 2.5 mm
Material: Housing	Thermoplastic, black, UL 94V-0

Appliance-Inlet/-Outlet	C20 acc. to IEC/EN 60320-1, UL 498, CSA C22.2 no. 42 (for cold conditions) pin-temperature 70 °C, 16A, Protection class I
Line Switch	Rocker switch 2-pole, non-illuminated or illuminated, acc. to IEC 61058-1 Technical details

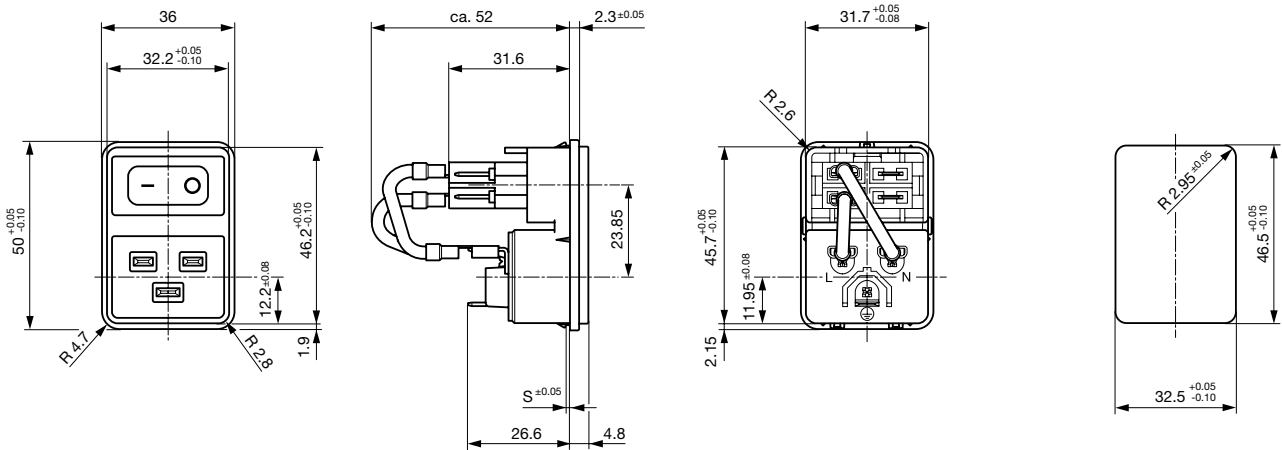
Dimensions

Screw-on mounting

Length |-----| 67 mm

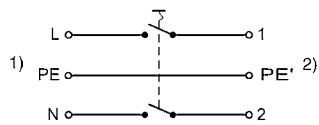


Snap-in mounting



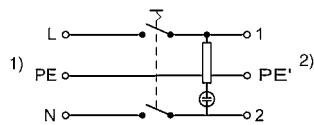
Diagrams

Line switch non-illuminated



1) Line
2) Load

Line switch illuminated



1) Line
2) Load

Distributor-Stock-Check | SCHURTER-Stock-Check | e-Store

Variants

Distributor-Stock-Check | SCHURTER-Stock-Check | e-Store

with internal connections

Panel mounting	Panel Thickness s [mm]	Illumination	Color	internally wired	Order Number
Screw-on	6	-	-	●	EC11.0001.001
Snap-in	1.5	-	-	●	EC11.0001.201
Snap-in	2	-	-	●	EC11.0001.301
Snap-in	2.5	-	-	●	EC11.0001.401
Screw-on	-	-	-	-	EC11.0001.002
Snap-in	1.5	-	-	-	EC11.0001.202
Snap-in	2	-	-	-	EC11.0001.302
Snap-in	2.5	-	-	-	EC11.0001.402
Screw-on	-	●	red	●	EC11.0021.001
Snap-in	1.5	●	red	●	EC11.0021.201
Snap-in	2	●	red	●	EC11.0021.301
Snap-in	2.5	●	red	●	EC11.0021.401
Screw-on	-	●	red	-	EC11.0021.002
Snap-in	1.5	●	red	-	EC11.0021.202
Snap-in	2	●	red	-	EC11.0021.302
Snap-in	2.5	●	red	-	EC11.0021.402
Screw-on	-	●	green	●	EC11.0031.001
Snap-in	1.5	●	green	●	EC11.0031.201
Snap-in	2	●	green	●	EC11.0031.301
Snap-in	2.5	●	green	●	EC11.0031.401
Screw-on	-	●	green	-	EC11.0031.002
Snap-in	1.5	●	green	-	EC11.0031.202
Snap-in	2	●	green	-	EC11.0031.302
Snap-in	2.5	●	green	-	EC11.0031.402

Packaging unit 25 Pcs