

IEC Appliance Inlet C14 with Fuseholder 1- or 2-pole

**Description**

- Panel Mount:
Snap-in version from front side
- 2 Functions:
Appliance Inlet protection class I or II, Fuseholder for fuse-links 5 x 20 mm on the rear-side 1- or 2-pole

Approvals

- VDE Certificate Number: 40024857
- UL File Number: E93617, E96454
- CSA File Number: 38456

Characteristics

- Two "locking" snappers reinforce connector against repeated or excessive pull out force during plug removal
- All single elements are already wired
- Fuseholder on the inside of the equipment prevents accidental use of incorrect fuse-links by the user
- Qualified for use in equipment according IEC/EN 60950

Other versions on request

- Ground terminal, solder/quick-connect, 90° to connector axis

References**Weblinks**

[General Product Information](#), [Approvals](#), [RoHS](#), [CHINA-RoHS](#), [Mating Connectors](#), [e-Store](#), [SCHURTER-Stock-Check](#), [Distributor-Stock-Check](#), [Accessories](#)

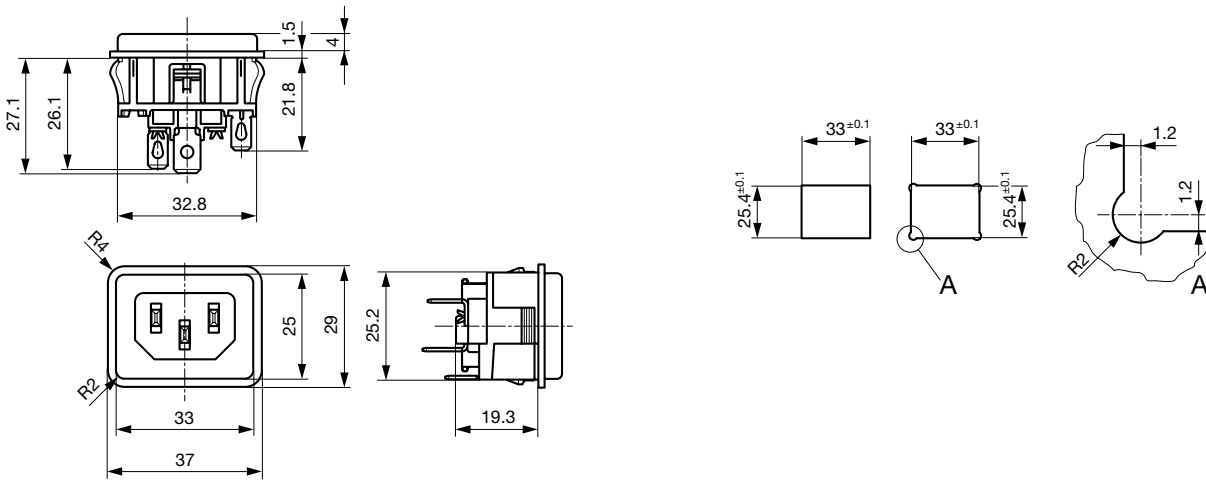
Technical Data

Ratings IEC	10A / 250VAC; 50Hz
Ratings UL/CSA	10A / 125VAC; 60Hz
Dielectric Strength	> 2.2kVAC between L-N > 3kVAC between L/N-PE (1 min/50Hz)
Allowable Operation Temp.	-25 °C to 70 °C
Degree of Protection	from front side IP 40 acc. to IEC 60529
Protection Class	Suitable for appliances with protection class 1 or 2 acc. to IEC 61140
Terminal	Quick connect terminals 4.8 x 0.8 mm , Ground terminal: Solder terminals or quick connect terminals tin-plated Solder terminal on request
Panel Thickness s	Snap-in: 1/1.2/1.5/2/2.5/3 mm (other on request) (all steps with one variant)
Material: Housing	Thermoplastic, black, UL 94V-0

Appliance Inlet	C14 acc. to IEC/EN 60320-1, UL 498, CSA C22.2 no. 42 (for cold conditions) pin-temperature 70 °C, 10A, Protection Class 1 or 2
Fuseholder	1 or 2 pole, Shocksafe category PC2 acc. to IEC 60127-6, for fuse-links 5 x 20mm
Rated Power Acceptance @ Ta 23 °C	5 x 20: 3.15W (1 pole)/ 2.5W (2-pole) per pole
Power Acceptance @ Ta > 23°C	Admissible power acceptance at higher ambient temperature see derating curves

Dimensions

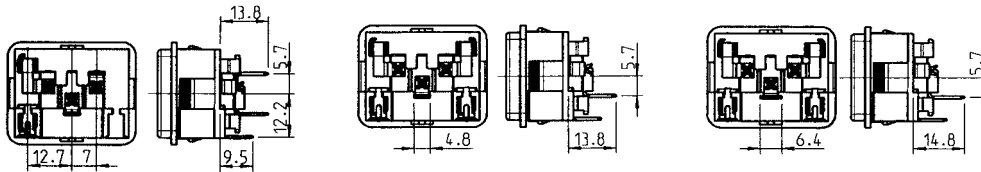
37 mm
punched / drilled



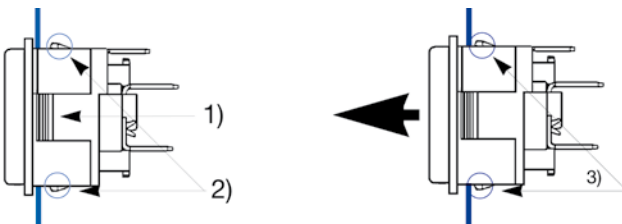
Line and neutral: Quick-connect terminal 4.8x0.8mm

Ground terminal: Quick connect terminal 4.8x0.8mm

Ground terminal: Quick-connect terminal 6.3x0.8mm



Dimensions

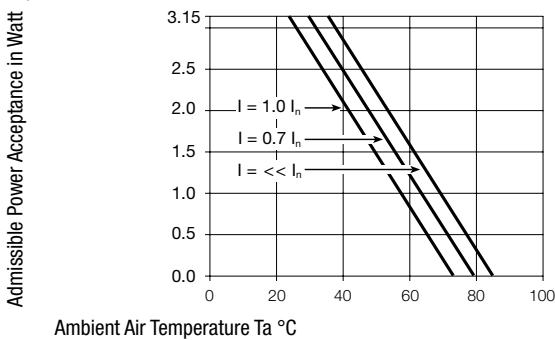


1) Main snappers for snap-in mounting
2) Additional safety snappers not in use

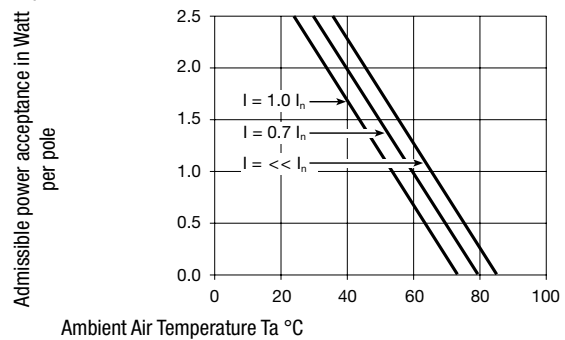
3) Additional safety snappers in use against excessive pull out force

Derating Curves

1-pole



2-pole



Variants

Protection Class	Fuseholder	Ground terminal	Order Number
1	1-pole	Quick connect terminals 4.8 x 0.8 mm	GSF2.1011.01
1	1-pole	Quick connect terminals 6.3 x 0.8 mm	GSF2.1013.01
1	2-pole	Quick connect terminals 4.8 x 0.8 mm	GSF2.2011.01
1	2-pole	Quick connect terminals 6.3 x 0.8 mm	GSF2.2013.01
2	1-pole	-	GSF2.1010.01
2	2-pole	-	GSF2.2010.01

Packaging unit 50 Pcs

Mating Outlets/Connectors

Category / Description

[Connector Overview complete](#)



IEC Connector C15, Rewireable, Straight	0101
IEC Connector C15A, Rewireable, Straight	0102
IEC Connector C15A, Rewireable, Straight	0102-G
IEC Connector C15A, Rewireable, Angled	0112
IEC Connector C13, Rewireable, Angled	4012

[Connector further types to GSF2](#)

...

[Power Cord Overview complete](#)



Power Cord with IEC Connector C13, Angled	0311
Power Cord with IEC Connector C13, Angled	3011
Power Cord with IEC Connector C13, Angled	3012
Power Cord with IEC Connector C13, Angled	3013
Power Cord with IEC Connector C13	3020

[Power Cord further types to GSF2](#)

...

[Power Supply or Interconnection Cord Overview complete](#)



Divers Power Supply and Interconnection Cords 10 A	6000.0214
Divers Power Supply and Interconnection Cords 10 A	6000.0224
Divers Power Supply and Interconnection Cords 10 A	6003.0204
Divers Power Supply and Interconnection Cords 10 A	6003.0205
Divers Power Supply and Interconnection Cords 10 A	6003.0215

[Power Supply or Interconnection Cord further types to GSF2](#)

...