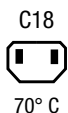


IEC appliance inlet C14 or C18, screw-on mounting, rear side, PCB-/solder terminal



Screw-On Version

**Description**

- Panel Mount, Screw-on from rear-side
- Appliance Inlet, Pin temperature 70 °C, protection class I or II
- For PCB mounting

**Approvals**

- VDE License Number: 40012767
- UL License Number: E96454
- CSA License Number: 38456

**Other versions on request**

- Ground terminal with quick-connect terminal 6,3 x 0,8 mm
- With solder terminals

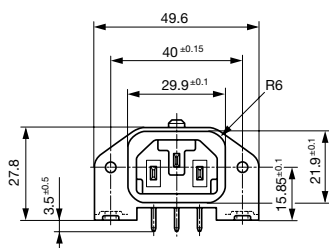
**Weblinks**

[Approvals](#), [RoHS](#), [CHINA-RoHS](#), [e-Store](#), [SCHURTER-Stock-Check](#), [Distributor-Stock-Check](#)

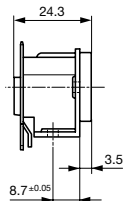
**Technical Data**

Ratings IEC	10A / 250VAC; 50Hz
Ratings UL/CSA	15A / 250VAC; 60Hz
Dielectric Strength	> 3 kVAC between L-N > 3 kVAC between L/N-PE (1 min/50Hz)
Allowable Operation Temp.	-25 °C to 70 °C
Degree of Protection	from front side IP 40 acc. to IEC 60529
Protection Class	Suitable for appliances with protection class I or II acc. to IEC 61140
Terminal	For PCB mounting ; Ground terminal: Quick connect terminals 4.8 x 0.8 mm angled or straight Solder terminal on request
Panel Thickness s	Screw-on: max 3 mm Mounting screw torque max 0.5Nm
Material: Housing	Thermoplastic, black, UL 94V-0

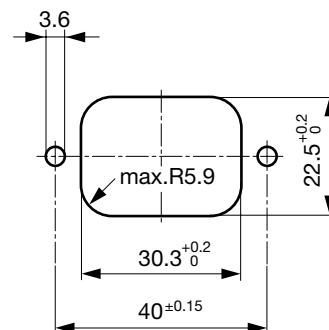
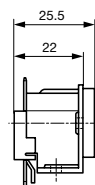
Appliance-Inlet/-Outlet	C14/C18 acc. to IEC/EN 60320-1, UL 498, CSA C22.2 no. 42 (for cold conditions) pin-temperature 70 °C, 10A, Protection class I or II
-------------------------	---

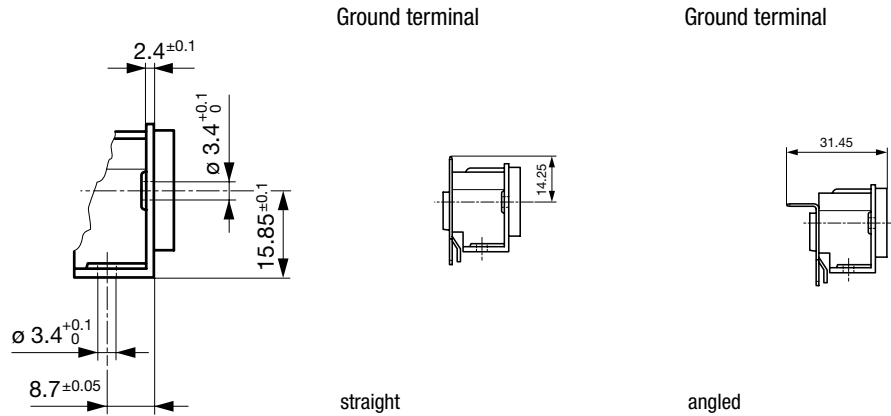
**Dimensions**

without insulation cover



with insulation cover

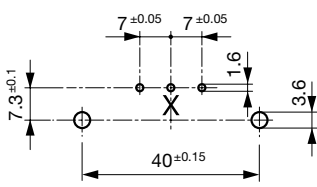




### Drilling diagrams

PCB Layout

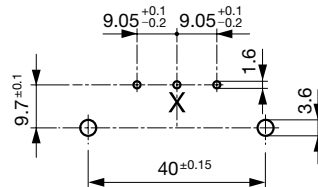
Ground terminal angled



X deleted for protection class II

PCB Layout

Ground terminal straight



X deleted for protection class II

### Variants

[Distributor-Stock-Check](#) | [SCHURTER-Stock-Check](#) | [e-Store](#)

Protection Class	PCB terminal spacing	Mounting flange with	Ground terminal 4.8 x 0.8 mm	Cover	Order Number
I	7/7.3	holes for screws M3	angled to pin axis		GSP1.9103.1
I	7/7.3	holes for screws M3	angled to pin axis	●	GSP1.9113.1
I	7/7.3	holes for screws M3	straight		GSP1.9101.1
I	7/7.3	holes for self-tapping screws 3mm, 4 screws enclosed	angled to pin axis		GSP1.9503.1
I	7/7.3	pre-inserted nuts M3, 4 pcs.	angled to pin axis		GSP1.9203.1
I	9.05/9.7	holes for screws M3	angled to pin axis		GSP1.8101.1
I	9.05/9.7	holes for screws M3	straight		GSP1.8401.1
I	9.05/9.7	holes for screws M3	straight	●	GSP1.8111.1
I	9.05/9.7	holes for self-tapping screws 3mm, 4 screws enclosed	straight		GSP1.8501.1
I	9.05/9.7	pre-inserted nuts M3, 4 pcs.	straight		GSP1.8201.1
II	7/7.3	holes for screws M3	-		GSP1.9100.1
II	7/7.3	holes for screws M3	-	●	GSP1.9110.1
II	7/7.3	holes for self-tapping screws 3mm, 4 screws enclosed	-		GSP1.9500.1
II	7/7.3	pre-inserted nuts M3, 4 pcs.	-		GSP1.9200.1
II	9.05/9.7	holes for screws M3	-		GSP1.8100.1
II	9.05/9.7	holes for screws M3	-	●	GSP1.8110.1
II	9.05/9.7	holes for self-tapping screws 3mm, 4 screws enclosed	-		GSP1.8500.1
II	9.05/9.7	pre-inserted nuts M3, 4 pcs.	-		GSP1.8200.1

Packaging unit 50 Pcs

## Mating Outlet/Connector

## Category / Description

## Connector



IEC cord connector C15, rewirable, straight	0101
IEC cord connector C15A, rewirable, straight	0102
IEC cord connector C15A, rewirable, straight	0102-G
IEC cord connector C15A, rewirable, angled	0112
IEC cord connector C13, rewirable, angled	4012
IEC cord connector C13, rewirable, angled	4013
IEC cord connector C13, rewirable, straight	4020
IEC cord connector C13, rewirable, straight	4021
IEC cord connector C13, rewirable, straight	4022
IEC cord connector C13, rewirable, angled	4300-06

...

## Power Supply or Interconnection Cord



Power Cord with IEC Appliance Connector C13, angled, 70°C	0311
Power Cord with IEC Appliance Connector C13, angled, 70°C	3011
Power Cord with IEC Appliance Connector C13, angled, 70°C	3012
Power Cord with IEC Appliance Connector C13, angled, 70°C	3013
Power Cord with IEC Appliance Connector C13, 70°C	3020
Power Cord with IEC Appliance Connector C13, straight, 70°C	3027
Power Cord with IEC Appliance Connector C13, straight, 70°C	302U
Power Cord with IEC Appliance Connector C13, straight, 70°C	3030
Power Cord with IEC Appliance Connector C13, angled, 70°C	311L
Power Cord with IEC Appliance Connector C13, angled, 70°C	312L

...