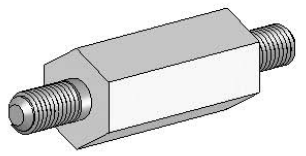
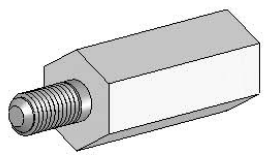


NOTES:
UNTHREADED LENGTH = 1.5 [.059] PITCH MAX.

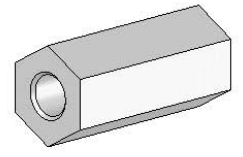
HTNSP-M6-12.7-L-STYLE	M6	12.7 [.500]	12.7 [.500]	12.7 [.500]	1.5 [.059]	25.0-75.0 [.984-2.952] (1mm INCREMENTS)
HTNSP-M5-12.7-L-STYLE	M5	12.7 [.500]	12.7 [.500]	12.7 [.500]	1.5 [.059]	20.0-75.0 [.787-2.952] (1mm INCREMENTS)
HTNSP-M5-9.5-L-STYLE	M5	9.5 [.374]	10.0 [.393]	10.0 [.393]	1.2 [.047]	20.0-75.0 [.787-2.952] (1mm INCREMENTS)
HTNSP-M4-8.0-L-STYLE	M4	8.0 [.314]	6.0 [.236]	6.0 [.236]	1.05 [.041]	15.0-50.0 [.590-1.968] (1mm INCREMENTS)
HTNSP-M3-6.4-L-STYLE	M3	6.4 [.251]	6.0 [.236]	6.0 [.236]	0.75 [.029]	15.0-50.0 [.590-1.968] (1mm INCREMENTS)
HTNSP-M2.5-6.4-L-STYLE	M2.5	6.4 [.251]	6.0 [.236]	6.0 [.236]	0.68 [.026]	15.0-50.0 [.590-1.968] (1mm INCREMENTS)
HTNSP-M2-6.4-L-STYLE	M2	6.4 [.251]	6.0 [.236]	6.0 [.236]	0.6 [.023]	15.0-50.0 [.590-1.968] (1mm INCREMENTS)
PART No.	'M'	'H'	'B'	'D'	'T'	'L'



STYLE S/S

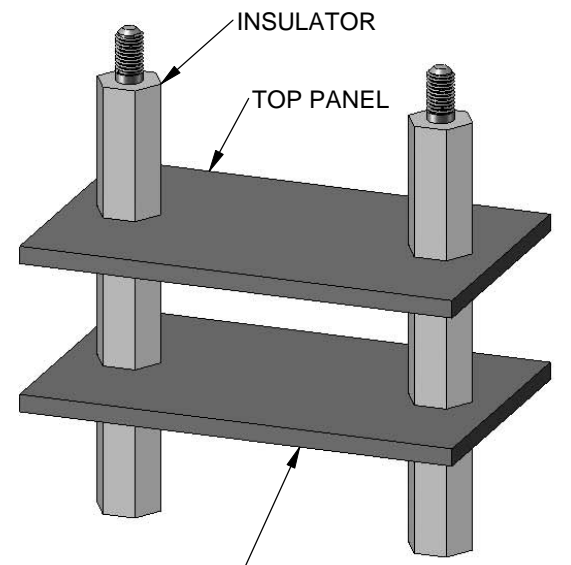


STYLE I/S



STYLE I/I

REV.	MODIFICATION.	DATE	DRN
01	ECN07-190	09/11/07	NJB
02	CO2010396	25/09/08	SF
03	CO2010452	23/10/08	TC



APPLICATION DETAIL

INFORMATION CONTAINED IN THIS DOCUMENT IS CONFIDENTIAL TO RICHCO INTERNATIONAL Co. Ltd. AND MAY NOT BE DISCLOSED OR REPRODUCED IN WHOLE OR PART WITHOUT THEIR WRITTEN CONSENT.



METRIC PRIMARY UNITS:mm
IMPERIAL SECONDARY UNITS:[inches]
GENERAL TOLERANCES ±0.25 [0.010]
UNLESS OTHERWISE STATED
1 DECIMAL PLACE ±
2 DECIMAL PLACES ±
ANGULAR ±1°

SHEET SIZE
A4

MATERIAL: BODY: NYLON 6 (RMS-133). INSERT: BRASS (RMS-231).		COLOUR: NATURAL	
DESCRIPTION: METRIC HEX LOW VOLTAGE INSULATORS		PART No: SEE TABLE	
DRG No: 07-125	NPR No: N/A	THIRD ANGLE	
DRN NJB	DATE 09/11/07	CHKD TC	DATE 23/10/08
SCALE NTS		SHEET No. 1 OF 1	