

IEC Appliance Connector C14 with Fuseholder and Line Switch 1- or 2-pole

Plug removal necessary for fuse replacement



Snap-In Version

Snap-In Version

**Description**

- Panel Mount:
Snap-In Version from front side
- 3 Functions:
Inlet Protection class I, Line switch 2-pole, Fuseholder for fuse-links 5 x 20 mm 1- or 2-pole
- Quick connect terminals 4.8 x 0.8 mm
- Alternative: version with line filter [KMF](#)
- Alternative: version for screw mounting [DD11](#)
- With cover on rear-side

Approvals

- VDE License Number: 40021981
- UL License Number: E93617

Characteristics

- Ultra-compact design. Small dimensions in front of and behind the panel
- All single elements are already wired
- For added safety "Extra-Safe" fuse drawers are available
Fuse drawer meets requirements of medical standard IEC/EN 60601-1
The fuse drawer can only be opened with the aid of a tool
The fuseholder is accessible from the equipment front
- Ideal for application with high transient loads
- Qualified for use in equipment according IEC/EN 60950

Other versions on request

- Fuse drawer 1-pole, plus spare fuse case
- Fuse drawer 2-pole, with shorting bar
- Line switch 1-pole
- Other rocker marking
- Protection class II, 70°C

Weblinks

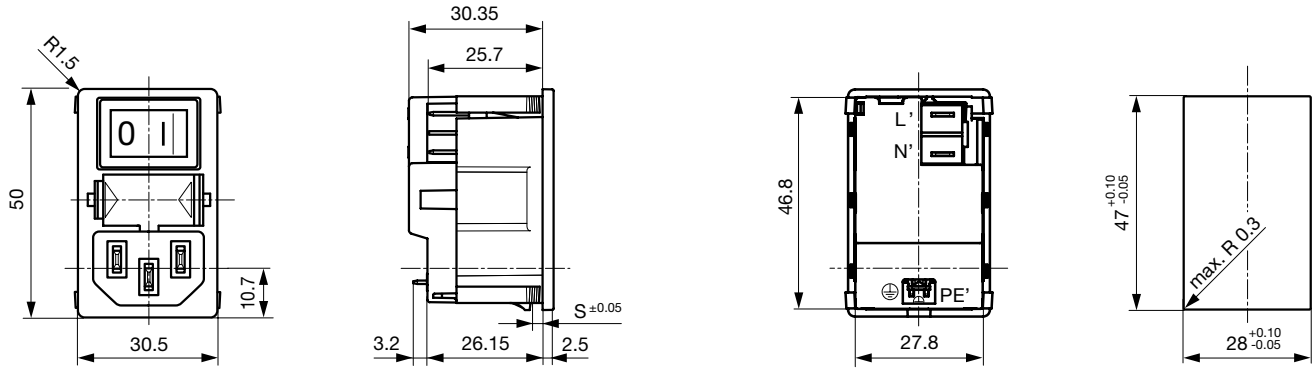
[Approvals](#), [RoHS](#), [CHINA-RoHS](#), [e-Store](#), [SCHURTER-Stock-Check](#), [Distributor-Stock-Check](#)

Technical Data

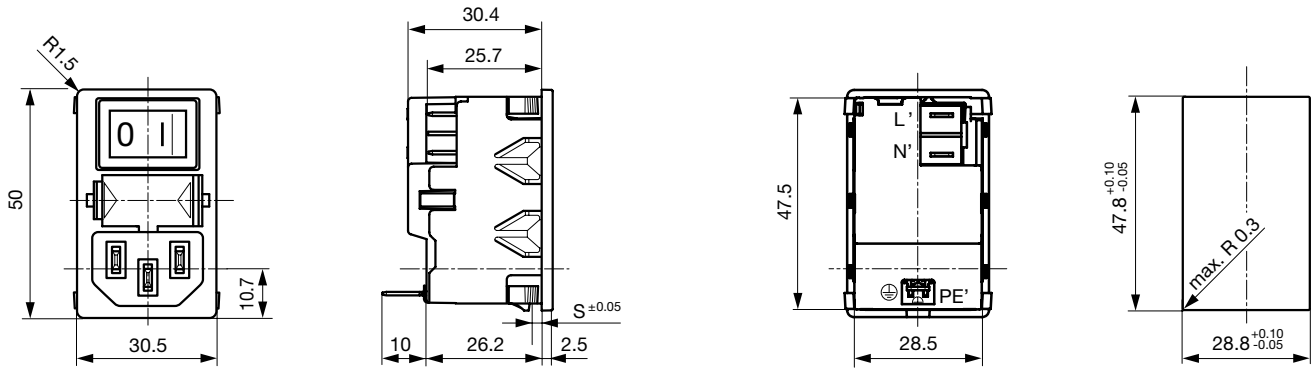
Ratings IEC	10A / 250VAC; 50Hz	Appliance-Inlet/-Outlet	C14 acc. to IEC/EN 60320-1, UL 498, CSA C22.2 no. 42 (for cold conditions) pin-temperature 70 °C, 10A, Protection class I
Ratings UL/CSA	10A / 250VAC; 60Hz	Fuseholder	1 or 2 pole, Shocksafe category PC2 acc. to IEC 60127-6, for fuse-links 5 x 20mm
Dielectric Strength	> 2.5kVAC between L-N > 3kVAC between L/N-PE (1 min/50Hz)	Rated Power Acceptance @ Ta 23 °C	5 x 20: 2W (1 pole)/ 1.4W (2-pole) per pole Choose fuse-links for 2-pole version in such a way that the typical power acceptance is less than 1.4 W for each pole
Allowable Operation Temp.	-25 °C to 70 °C	Power Acceptance @ Ta > 23°C	Admissible power acceptance at higher ambient temperature see derating curves
Degree of Protection	from front side IP 40 acc. to IEC 60529	Line Switch	Rocker switch 2-pole, non-illuminated, acc. to IEC 61058-1 Technical details
Protection Class	Suitable for appliances with protection class I acc. to IEC 61140		
Terminal	Quick connect terminals 4.8 x 0.8 mm, tin-plated		
Panel Thickness s	Snap-in: 1/1.5/2/2.5 mm (all steps with one variant)		
Material: Housing	Thermoplastic, black, UL 94V-0		

Dimensions
KM without shield

Length |-----| 50 mm

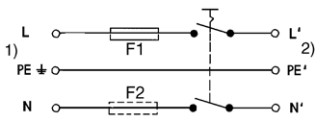


KM with shield



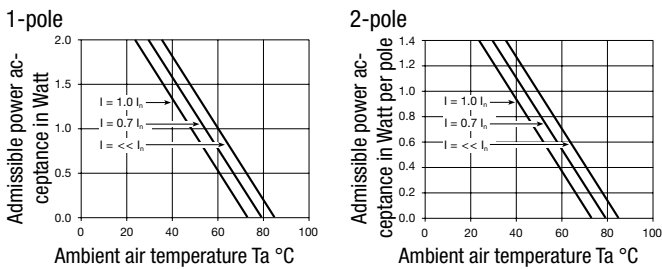
Diagrams

Fuseholder 1- or 2- pole



- 1) Line
- 2) Load

Derating Curves for Fuseholders



Variants

Distributor-Stock-Check | SCHURTER-Stock-Check | e-Store

Fuse drawer must be ordered separately (see accessories).
Fingerrip and Extra Safe. The same drawer as used by type KEA.

Fuseholder	Line Switch	EMC-Shielding	Order Number
1 pole	2-pole	-	KM00.1205.11
2-pole	2-pole	-	KM00.1105.11
1 pole	2-pole	With EMC-shield and without line filter	KM01.1205.11
2-pole	2-pole	With EMC-shield and without line filter	KM01.1105.11

Packaging unit 50 Pcs

Required Accessory

Description

[Fusedrawer 2](#)
Fusedrawer with and without voltage selector insert



Fingerrip, 2-pole	4301.1401
Extra-Safe, 2-pole	4301.1403
Fingerrip, 1 pole	4301.1405
Extra-Safe, 1 pole	4301.1407
...	...

Accessory



[Assorted Covers](#)
Rear Cover

	0859.0076
--	-----------



[Cord retaining kits](#)
Cord retaining strain relieve

Flat head, A	4700.0001
--------------	-----------