

Bourns® Multifuse® Products

Bourns® Multifuse® family of Polymer Positive Temperature Coefficient (PPTC) “resettable fuses” are used in a wide variety of circuit protection applications.

Under fault conditions the device resistance will rise exponentially and remain in a “tripped” state, providing continuous circuit protection until the fault is removed. Once the fault is removed and the power cycled, the device will return to its normal low resistance state.

What’s New in this Edition

- MF-PSMF Series 0805 surface mount products
- MF-RHT Series high temperature radial through-hole products
- MF-SM013/250V telecom vertical surface mount products
- Expanded MF-NSMF Series 1206 surface mount products
- MF-RG Series automotive radial through-hole products
- MF-RX/72 Series 72V radial through-hole products
- CMF Series ceramic products

See Also

- Multifuse® automotive short form catalog
- Circuit protection selection guide for dedicated Multifuse® telecom products

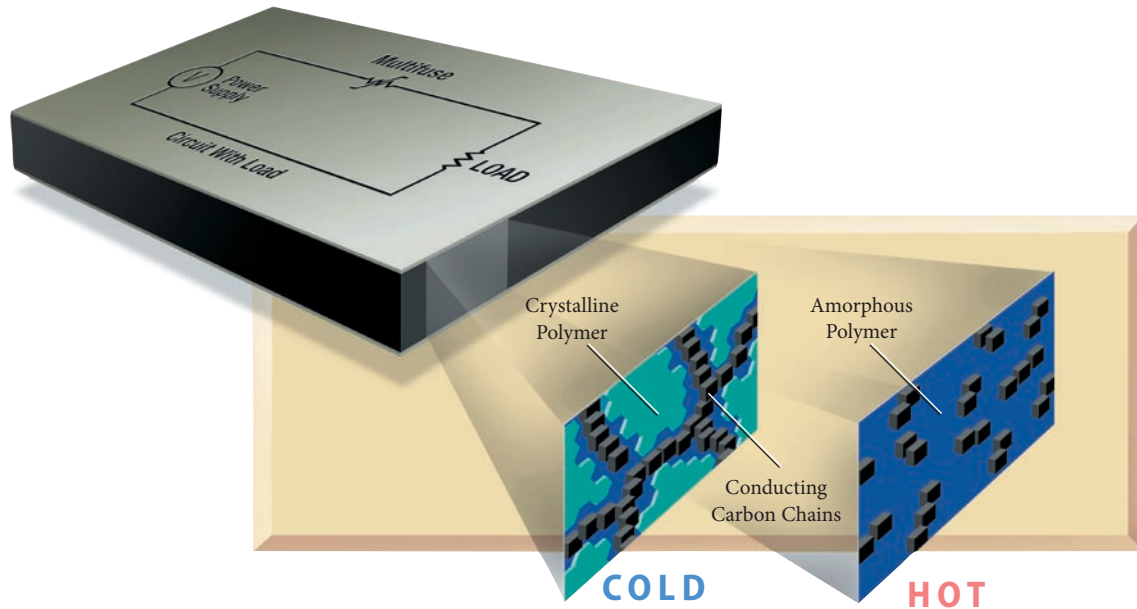
Features/Benefits

- Resettable overcurrent protection
- Heat element
- Agency approvals - UL, CSA, TÜV
- Standard footprints and packaging options
- Low resistance
- RoHS compliance standard
- Custom designs available

Applications

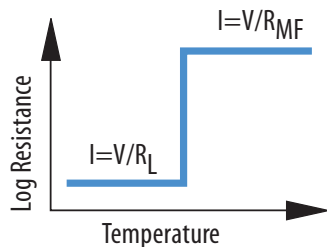
- Computer
- Battery
- Automotive
- Telecommunications
- Industrial
- Consumer

Multifuse® Products – How They Work



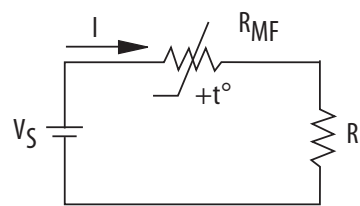
Resettable fuses are manufactured in the form of a conductive plastic, which is comprised of a non-conductive crystalline polymer with highly conductive carbon black particles impregnated throughout the crystal lattice. Because of the close proximity of the carbon black particles within the crystal lattice, under normal conditions current is allowed to flow easily through the conductive plastic. However under a fault condition, when there is an increase in current, the conductive plastic heats at the rate of I^2R . As the material continues to heat, it eventually reaches the phase transformation temperature, which changes the crystal structure into an amorphous structure. Once the material has transformed into this amorphous structure, the conductive particles become isolated and are unable to conduct current hence the drastic change in material resistance. It is only when the current is removed that the material is allowed to cool and return to its original crystal structure.

Multifuse® Products – How They Are Used



PTC Response Characteristic

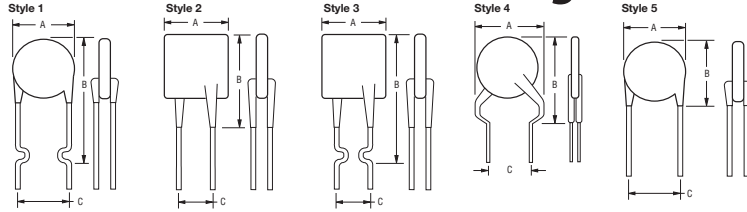
It is the materials used in resettable fuses that allow them to reset after a fault condition has been removed. Resettable fuses exhibit a positive temperature coefficient effect when heated. While many materials exhibit a PTC effect when heated (an increase in resistance in response to a positive change in temperature), what makes the material used in resettable fuses unique is the fact that the increase in resistance changes exponentially rather than in a linear manner.



Typical Circuit Application

It is because of this transformation from a low resistance state to a high resistance state that allows the resettable fuse to protect loads. It is this transition from the low resistance state to high resistance state that is referred to as tripping. The time it takes for a resettable fuse to trip is relatively quick, depending on how high the fault current is and it can be as quick as a fraction of a second. Hence they are an excellent form of protection for most applications where sensitive devices need extra protection.

Radial Led Low Voltage Products



Features

- Bulk and Tape and Reel Packaging
- Industry Standard Sizes

Applications

- Computers and Peripherals
- General Electronics
- Automotive
- Consumer Appliances
- Electronic Toys

MF-R Series Radial Led 16-60 Volts 0.05-11 Amps Hold Current

Model	I _{hold} Amperes at 23 °C	V _{max.} Volts	I _{max.} Amps	Initial Resistance		Dimensions mm/(in)			Style
				Ohms at 23 °C		A Max.	B Max.	C Nom.	
				Min.	Max.				
MF-R005	0.05	60	40	7.3	22.0	8.0 (0.315)	8.3 (0.327)	5.1 (0.201)	4
MF-R010	0.10	60	40	2.50	7.50	7.4 (0.291)	12.7 (0.500)	5.1 (0.201)	1
MF-R017	0.17	60	40	2.00	8.00	7.4 (0.291)	12.7 (0.500)	5.1 (0.201)	1
MF-R020	0.20	60	40	1.50	4.40	7.4 (0.291)	12.7 (0.500)	5.1 (0.201)	1
MF-R025	0.25	60	40	1.00	3.00	7.4 (0.291)	12.7 (0.500)	5.1 (0.201)	1
MF-R030	0.30	60	40	0.76	2.10	7.4 (0.291)	13.4 (0.528)	5.1 (0.201)	1
MF-R040	0.40	60	40	0.52	1.29	7.4 (0.291)	13.7 (0.539)	5.1 (0.201)	1
MF-R050	0.50	60	40	0.41	1.17	7.9 (0.311)	13.7 (0.539)	5.1 (0.201)	1
MF-R065	0.65	60	40	0.27	0.72	9.7 (0.382)	15.2 (0.598)	5.1 (0.201)	1
MF-R075	0.75	60	40	0.18	0.60	10.4 (0.409)	16.0 (0.630)	5.1 (0.201)	1
MF-R090	0.90	60	40	0.14	0.47	11.7 (0.461)	16.7 (0.657)	5.1 (0.201)	1
MF-R090-0-9	0.90	30	40	0.07	0.22	7.4 (0.291)	12.2 (0.480)	5.1 (0.201)	3
MF-R110	1.10	30	40	0.10	0.27	8.9 (0.350)	14.0 (0.551)	5.1 (0.201)	1
MF-R135	1.35	30	40	0.065	0.17	8.9 (0.350)	18.9 (0.744)	5.1 (0.201)	1
MF-R160	1.60	30	40	0.055	0.15	10.2 (0.402)	16.8 (0.661)	5.1 (0.201)	1
MF-R185	1.85	30	40	0.040	0.11	12.0 (0.472)	18.4 (0.724)	5.1 (0.201)	1
MF-R250	2.50	30	40	0.025	0.07	12.0 (0.472)	18.3 (0.720)	5.1 (0.201)	2
MF-R250-0-10	2.50	30	40	0.025	0.07	12.0 (0.472)	18.3 (0.720)	5.1 (0.201)	3
MF-R300	3.00	30	40	0.020	0.08	12.0 (0.472)	18.3 (0.720)	5.1 (0.201)	2
MF-R400	4.00	30	40	0.010	0.05	14.4 (0.567)	24.8 (0.976)	5.1 (0.201)	2
MF-R500	5.00	30	40	0.010	0.05	17.4 (0.685)	24.9 (0.980)	10.2 (0.402)	2
MF-R600	6.00	30	40	0.005	0.04	19.3 (0.760)	31.9 (1.256)	10.2 (0.402)	2
MF-R700	7.00	30	40	0.005	0.03	22.1 (0.870)	29.8 (1.173)	10.2 (0.402)	2
MF-R800	8.00	30	40	0.005	0.03	24.2 (0.953)	32.9 (1.295)	10.2 (0.402)	2
MF-R900	9.00	30	40	0.005	0.02	24.2 (0.953)	32.9 (1.295)	10.2 (0.402)	2
MF-R1100	11.00	16	100	0.003	0.014	24.2 (0.953)	32.9 (1.295)	10.2 (0.402)	2

MF-RG Series Radial Led 16 V Operating Temperature -40°C ~ +85°C

Model	I _{hold} Amperes at 23 °C	V _{max.} Volts	I _{max.} Amps	Initial Resistance		Dimensions mm/(in)			Style
				Ohms at 23 °C		A Max.	B Max.	C Max.	
				Min.	Max.				
MF-RG300	3.0	16	100	0.038	0.0975	7.1 (0.28)	11.0 (0.43)	5.1 ± 0.7 (0.201 ± 0.028)	2
MF-RG500	5.0	16	100	0.015	0.0340	10.4 (0.41)	14.3 (0.56)	5.1 ± 0.7 (0.201 ± 0.028)	2

MF-RX Series* Radial Led 60 Volts 1.10 - 3.75 Amps Hold Current

Model	I _{hold} Amperes at 23 °C	V _{max.} Volts	I _{max.} Amps	Initial Resistance		Dimensions mm/(in)			Style
				Ohms at 23 °C		A Max.	B Max.	C Nom.	
				Min.	Max.				
MF-RX110	1.10	60	40	0.15	0.38	13.0 (0.512)	18.0 (0.709)	5.1 (0.201)	5
MF-RX135	1.35	60	40	0.12	0.30	14.5 (0.571)	19.6 (0.772)	5.1 (0.201)	5
MF-RX160	1.60	60	40	0.09	0.22	16.3 (0.642)	21.3 (0.839)	5.1 (0.201)	5
MF-RX185	1.85	60	40	0.08	0.19	17.8 (0.701)	22.9 (0.902)	5.1 (0.201)	5
MF-RX250	2.50	60	40	0.05	0.13	21.3 (0.839)	26.4 (1.039)	10.2 (0.402)	5
MF-RX300	3.00	60	40	0.04	0.10	24.9 (0.980)	30.0 (1.181)	10.2 (0.402)	5
MF-RX375	3.75	60	40	0.03	0.08	28.4 (1.118)	33.5 (1.319)	10.2 (0.402)	5

*Not recommended for new designs, suggest using new MF-RX/72 Series

MF-RX/72 Series Radial Led 72 Volts 0.20 - 3.75 Amps Hold Current

Model	I _{hold} Amperes at 23 °C	V _{max.} Volts	I _{max.} Amps	Initial Resistance		Dimensions mm/(in)			Style
				Ohms at 23 °C		A Max.	B Max.	C Nom.	
				Min.	Max.				
MF-RX020/72	0.20	72	40	1.50	4.40	7.4 (0.291)	12.7 (0.500)	5.1 (0.201)	1
MF-RX025/72	0.25	72	40	1.00	3.00	7.4 (0.291)	12.7 (0.500)	5.1 (0.201)	1
MF-RX030/72	0.30	72	40	0.76	2.10	7.4 (0.291)	13.4 (0.528)	5.1 (0.201)	1
MF-RX040/72	0.40	72	40	0.52	1.29	7.4 (0.291)	13.7 (0.539)	5.1 (0.201)	1
MF-RX050/72	0.50	72	40	0.41	1.17	7.9 (0.311)	13.7 (0.539)	5.1 (0.201)	1
MF-RX065/72	0.65	72	40	0.27	0.72	9.7 (0.382)	15.2 (0.598)	5.1 (0.201)	1
MF-RX075/72	0.75	72	40	0.18	0.60	10.4 (0.409)	16.0 (0.630)	5.1 (0.201)	1
MF-RX090/72	0.90	72	40	0.14	0.47	11.7 (0.461)	16.7 (0.657)	5.1 (0.201)	1
MF-RX110/72	1.10	72	40	0.15	0.38	10.84 (0.427)	16.84 (0.662)	5.1 (0.201)	2
MF-RX135/72	1.35	72	40	0.12	0.30	12.26 (0.483)	18.26 (0.718)	5.1 (0.201)	2
MF-RX160/72	1.60	72	40	0.09	0.22	13.94 (0.549)	19.94 (0.785)	5.1 (0.201)	2
MF-RX185/72	1.85	72	40	0.08	0.19	15.18 (0.598)	21.18 (0.833)	5.1 (0.201)	2
MF-RX250/72	2.50	72	40	0.05	0.13	17.84 (0.702)	23.84 (0.938)	10.2 (0.402)	2
MF-RX300/72	3.00	72	40	0.04	0.10	20.67 (0.814)	26.67 (1.050)	10.2 (0.402)	2
MF-RX375/72	3.75	72	40	0.03	0.08	23.51 (0.926)	29.51 (1.161)	10.2 (0.402)	2

MF-RHT Series Radial Led High Temperature Operating Temperature -40°C ~ +125°C

Model	I _{hold} Amperes at 23 °C	V _{max.} Volts	I _{max.} Amps	Initial Resistance		Dimensions mm/(in)			Style
				Ohms at 23 °C		A Max.	B Max.	C Nom.	
				Min.	Max.				
MF-RHT070	0.7	16	40	0.3	0.8	6.86 (0.27)	10.8 (0.425)	5.1 (0.201)	3
MF-RHT200	2.0	16	100	0.045	0.110	9.4 (0.37)	14.0 (0.55)	5.1 (0.201)	1
MF-RHT450	4.5	16	100	0.022	0.054	10.4 (0.41)	15.6 (0.61)	5.1 (0.201)	2
MF-RHT650	6.5	16	100	0.011	0.026	12.7 (0.5)	22.2 (0.88)	5.1 (0.201)	2
MF-RHT750	7.5	16	100	0.0094	0.022	14.0 (0.55)	23.5 (0.93)	5.1 (0.201)	2
MF-RHT1300	13.0	16	100	0.0041	0.01	23.5 (0.925)	28.7 (1.17)	10.2 (0.402)	2

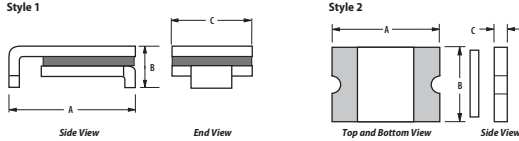
Surface Mount Low Voltage Products

Features

- Tape and Reel Packaging
- Industry Standard Sizes

Applications

- Computers and Peripherals
- General Electronics
- Automotive



MF-SM Series (2920 package) 6-60 Volts Surface Mount (7555 mm) 0.30-3.00 Amps Hold Current

Model	I _{hold} Amperes at 23 °C	V max. Volts	I max. Amps	Initial Resistance		Dimensions mm/(in)			Style
				Ohms at 23 °C		A Max.	B Max.	C Nom.	
				Min.	Max.				
MF-SM030	0.30	60	40	0.90	4.80	7.98 (0.314)	3.18 (0.125)	5.44 (0.214)	1
MF-SM050	0.50	60	40	0.35	1.40	7.98 (0.314)	3.18 (0.125)	5.44 (0.214)	1
MF-SM075	0.75	30	80	0.23	1.00	7.98 (0.314)	3.18 (0.125)	5.44 (0.214)	1
MF-SM075/60	0.75	60	10	0.23	1.00	7.98 (0.314)	3.18 (0.125)	5.44 (0.214)	1
MF-SM100	1.10	30	80	0.12	0.48	7.98 (0.314)	3.0 (0.118)	5.44 (0.214)	1
MF-SM100/33	1.10	33	40	0.12	0.41	7.98 (0.314)	3.0 (0.118)	5.44 (0.214)	1
MF-SM125	1.25	15	100	0.07	0.25	7.98 (0.314)	3.0 (0.118)	5.44 (0.214)	1
MF-SM260	2.60	6	100	0.025	0.075	7.98 (0.314)	3.0 (0.118)	5.44 (0.214)	1
MF-SM300	3.00	6	100	0.015	0.048	7.98 (0.314)	3.0 (0.118)	5.44 (0.214)	1

MF-SM Series (3425 package) 15-33 Volts Surface Mount (8763 mm) 1.50-2.50 Amps Hold Current

Model	I _{hold} Amperes at 23 °C	V max. Volts	I max. Amps	Initial Resistance		Dimensions mm/(in)			Style
				Ohms at 23 °C		A Max.	B Max.	C Nom.	
				Min.	Max.				
MF-SM150	1.50	15	100	0.06	0.25	9.50 (0.374)	3.0 (0.118)	6.71 (0.264)	1
MF-SM150/33	1.50	33	40	0.06	0.23	9.50 (0.374)	3.0 (0.118)	6.71 (0.264)	1
MF-SM185/33	1.80	33	40	0.04	0.15	9.50 (0.374)	3.0 (0.118)	6.71 (0.264)	1
MF-SM200	2.00	15	100	0.045	0.125	9.50 (0.374)	3.0 (0.118)	6.71 (0.264)	1
MF-SM250	2.50	15	100	0.024	0.085	9.50 (0.374)	3.0 (0.118)	6.71 (0.264)	1

MF-NSMF Series (1206 package) 6 - 30 Volts Surface Mount (3216 mm) 0.12 - 2.00 Amps Hold Current

Model	I _{hold} Amperes at 23 °C	V max. Volts	I max. Amps	Initial Resistance		Dimensions mm/(in)			Style
				Ohms at 23 °C		A Max.	B Max.	C Max.	
				Min.	Max.				
MF-NSMF012	0.12	30	10	1.35	8.50	3.4 (0.134)	1.8 (0.071)	1.1 (0.043)	2
MF-NSMF020	0.20	24	10	0.60	2.60	3.4 (0.134)	1.8 (0.071)	0.85 (0.033)	2
MF-NSMF035	0.35	6	100	0.30	1.20	3.4 (0.134)	1.8 (0.071)	0.85 (0.033)	2
MF-NSMF050	0.50	13.2	100	0.15	0.70	3.4 (0.134)	1.8 (0.071)	0.85 (0.033)	2
MF-NSMF075	0.75	6	100	0.10	0.40	3.4 (0.134)	1.8 (0.071)	0.7 (0.028)	2
MF-NSMF110	1.10	6	100	0.06	0.20	3.4 (0.134)	1.8 (0.071)	0.7 (0.028)	2
MF-NSMF150	1.50	6	100	0.03	0.13	3.4 (0.134)	1.8 (0.071)	0.7 (0.028)	2
MF-NSMF200	2.00	6	100	0.02	0.085	3.5 (0.138)	1.8 (0.071)	1.6 (0.063)	2

MF-MSMF Series (1812 package) 6-60 Volts Surface Mount (4532 mm) 0.10-2.60 Amps Hold Current

Model	I _{hold} Amperes at 23 °C	V max. Volts	I max. Amps	Initial Resistance		Dimensions mm/(in)			Style
				Ohms at 23 °C		A Max.	B Max.	C Max.	
				Min.	Max.				
MF-MSMF010	0.10	60	40	0.70	15.0	4.73 (0.186)	3.41 (0.134)	1.10 (0.043)	2
MF-MSMF014	0.14	60	40	0.40	6.50	4.73 (0.186)	3.41 (0.134)	1.10 (0.043)	2
MF-MSMF020	0.20	30	80	0.40	6.00	4.73 (0.186)	3.41 (0.134)	1.10 (0.043)	2
MF-MSMF020/60	0.20	60	40	0.40	6.00	4.73 (0.186)	3.41 (0.134)	1.10 (0.043)	2
MF-MSMF030	0.30	30	10	0.30	3.00	4.73 (0.186)	3.41 (0.134)	1.10 (0.043)	2
MF-MSMF050	0.50	15	100	0.15	1.00	4.73 (0.186)	3.41 (0.134)	0.85 (0.033)	2
MF-MSMF075	0.75	13.2	100	0.11	0.45	4.73 (0.186)	3.41 (0.134)	0.85 (0.033)	2
MF-MSMF075/24	0.75	24	40	0.11	0.45	4.73 (0.186)	3.41 (0.134)	0.85 (0.033)	2
MF-MSMF110	1.10	6	100	0.04	0.21	4.73 (0.186)	3.41 (0.134)	0.85 (0.033)	2
MF-MSMF110/16	1.10	16	100	0.04	0.21	4.73 (0.186)	3.41 (0.134)	0.85 (0.033)	2
MF-MSMF125	1.25	6	100	0.035	0.14	4.73 (0.186)	3.41 (0.134)	0.85 (0.033)	2
MF-MSMF150	1.50	6	100	0.03	0.12	4.73 (0.186)	3.41 (0.134)	0.85 (0.033)	2
MF-MSMF150/12	1.50	12	100	0.03	0.12	4.73 (0.186)	3.41 (0.134)	0.85 (0.033)	2
MF-MSMF160	1.60	8	100	0.035	0.099	4.73 (0.186)	3.41 (0.134)	0.85 (0.033)	2
MF-MSMF200	2.00	8	40	0.020	0.08	4.73 (0.186)	3.41 (0.134)	0.85 (0.033)	2
MF-MSMF250/16	2.50	16	100	0.015	0.1	4.73 (0.186)	3.41 (0.134)	2.00 (0.078)	2
MF-MSMF260	2.60	6	100	0.015	0.08	4.73 (0.186)	3.41 (0.134)	0.85 (0.033)	2

Surface Mount Low Voltage Products (Continued)

MF-SMDF Series (2018 package) 10 - 60 Volts
Surface Mount (5050 mm) 0.30 - 2.00 Amps Hold Current

Model	I _{hold} Amperes at 23 °C	V max. Volts	I max. Amps	Initial Resistance		Dimensions mm/(in)			Style
				Ohms at 23 °C		A Max.	B Max.	C Max.	
				Min.	Max.				
MF-SMDF050	0.55	60	10	0.20	1	5.44 (0.214)	4.93 (0.194)	1.09 (0.043)	2
MF-SMDF150	1.50	15	40	0.05	0.17	5.44 (0.214)	4.93 (0.194)	0.85 (0.033)	2
MF-SMDF200	2.00	10	40	0.03	0.1	5.44 (0.214)	4.93 (0.194)	0.85 (0.033)	2

MF-PSMF Series (0805 package) 6 - 9 Volts
Surface Mount (2010 mm) 0.20 - 1.10 Amps Hold Current

Model	I _{hold} Amperes at 23 °C	V max. Volts	I max. Amps	Initial Resistance		Dimensions mm/(in)			Style
				Ohms at 23 °C		A Max.	B Max.	C Max.	
				Min.	Max.				
MF-PSMF020X	0.20	9	40	0.65	3.5	2.3 (0.091)	1.5 (0.059)	0.85 (0.033)	2
MF-PSMF035X	0.35	6	40	0.25	1.2	2.3 (0.091)	1.5 (0.059)	0.85 (0.033)	2
MF-PSMF050X	0.50	6	40	0.15	0.9	2.3 (0.091)	1.5 (0.059)	0.85 (0.033)	2
MF-PSMF075X	0.75	6	40	0.09	0.35	2.3 (0.091)	1.5 (0.059)	1.25 (0.049)	2
MF-PSMF110X	1.10	6	40	0.06	0.21	2.3 (0.091)	1.5 (0.059)	1.25 (0.049)	2

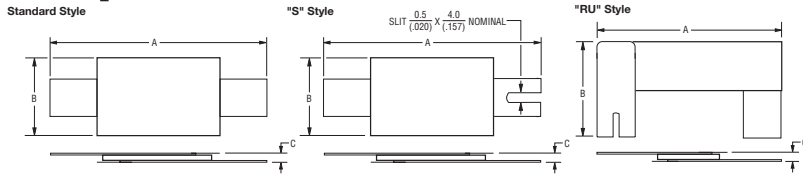
MF-SMHT Series 16 Volts
Surface Mount/High Temperature (Working temp: -40 ~ +125 °C)
 1.36 - 1.60 Amps Hold Current

Model	I _{hold} Amperes at 23 °C	V max. Volts	I max. Amps	Initial Resistance		Dimensions mm/(in)			Style
				Ohms at 23 °C		A Max.	B Max.	C Max.	
				Min.	Max.				
MF-SMHT136	1.36	16	100	0.085	0.330	7.98 (0.314)	3.0 (0.118)	5.44 (0.214)	1
MF-SMHT160	1.60	16	100	0.050	0.150	9.5 (0.374)	3.0 (0.118)	6.71 (0.264)	1

MF-USMF Series (1210 package) 6 - 30 Volts
Surface Mount (3225 mm) 0.05 - 1.75 Amps Hold Current

Model	I _{hold} Amperes at 23 °C	V max. Volts	I max. Amps	Initial Resistance		Dimensions mm/(in)			Style
				Ohms at 23 °C		A Max.	B Max.	C Max.	
				Min.	Max.				
MF-USMF005	0.05	30	10	2.80	50.0	3.43 (0.135)	2.8 (0.11)	1.1 (0.043)	2
MF-USMF010	0.10	30	10	0.80	15.0	3.43 (0.135)	2.8 (0.11)	1.1 (0.043)	2
MF-USMF020	0.20	30	10	0.40	5.00	3.43 (0.135)	2.8 (0.11)	1.1 (0.043)	2
MF-USMF035	0.35	6.0	40	0.20	1.30	3.43 (0.135)	2.8 (0.11)	0.85 (0.033)	2
MF-USMF050	0.50	13.2	40	0.18	0.90	3.43 (0.135)	2.8 (0.11)	0.85 (0.033)	2
MF-USMF075	0.75	6.0	40	0.07	0.45	3.43 (0.135)	2.8 (0.11)	0.85 (0.033)	2
MF-USMF110	1.10	6.0	40	0.05	0.21	3.43 (0.135)	2.8 (0.11)	0.85 (0.033)	2
MF-USMF150	1.50	6.0	40	0.03	0.11	3.43 (0.135)	2.8 (0.11)	0.85 (0.033)	2
MF-USMF175	1.75	6.0	40	0.02	0.09	3.43 (0.135)	2.8 (0.11)	0.85 (0.033)	2

Strap Products



Features

- Axial/Radial Leaded
- Weldable Nickel Terminal
- Very Low Internal Resistance

Applications

- Rechargeable Battery Packs for Cellular Phones & Laptop Computers

MF-SVS Series (Lowest Available Resistance) 10 Volts Axial Leaded Strap 1.7-2.3 Amps Hold Current

Model	I _{hold} Amperes at 23 °C	V max. Volts	I max. Amps	Initial Resistance		Dimensions mm/(in)			Style
				Ohms at 23 °C		A Max.	B Max.	C Max.	
				Min.	Max.				
MF-SVS170	1.7	10	100	0.018	0.064	18.0 (0.709)	5.5 (0.216)	0.9 (0.035)	Std.
MF-SVS170N	1.7	10	100	0.018	0.064	24.0 (0.945)	3.9 (0.153)	0.9 (0.035)	Std.
MF-SVS175	1.75	10	100	0.017	0.063	18.0 (0.709)	5.5 (0.216)	0.9 (0.035)	Std.
MF-SVS175N	1.75	10	100	0.017	0.063	24.0 (0.945)	3.9 (0.153)	0.9 (0.035)	Std.
MF-SVS175NL	1.75	10	100	0.017	0.063	28.0 (1.102)	3.9 (0.153)	0.9 (0.035)	Std.
MF-SVS210	2.1	10	100	0.010	0.040	23.1 (0.909)	5.5 (0.216)	0.9 (0.035)	Std.
MF-SVS210N	2.1	10	100	0.010	0.040	32.0 (1.260)	3.9 (0.153)	0.9 (0.035)	Std.
MF-SVS230	2.3	10	100	0.010	0.036	23.1 (0.909)	5.5 (0.216)	0.9 (0.035)	Std.
MF-SVS230N	2.3	10	100	0.010	0.036	32.0 (1.260)	3.9 (0.153)	0.9 (0.035)	Std.

MF-VS Narrow Body Series (Low Resistance Narrow) 12 Volts Axial Leaded Strap 1.7-2.1 Amps Hold Current

Model	I _{hold} Amperes at 23 °C	V max. Volts	I max. Amps	Initial Resistance		Dimensions mm/(in)			Style
				Ohms at 23 °C		A Max.	B Max.	C Max.	
				Min.	Max.				
MF-VS170N	1.7	12	100	0.030	0.105	24.0 (0.945)	3.9 (0.154)	0.9 (0.035)	Std.
MF-VS175NL	1.75	12	100	0.029	0.102	28.0 (1.102)	3.9 (0.154)	0.9 (0.035)	Std.
MF-VS210N	2.1	12	100	0.018	0.060	32.0 (1.260)	3.9 (0.154)	0.9 (0.035)	Std.

MF-VS Series (Low Resistance & Low Temp.) 16 Volts Axial Leaded Strap 1.7-2.4 Amps Hold Current

Model	I _{hold} Amperes at 23 °C	V max. Volts	I max. Amps	Initial Resistance		Dimensions mm/(in)			Style
				Ohms at 23 °C		A Max.	B Max.	C Max.	
				Min.	Max.				
MF-VS170	1.7	16	100	0.030	0.105	18.0 (0.709)	5.5 (0.217)	0.9 (0.035)	Std.
MF-VS170S	1.7	16	100	0.030	0.105	18.0 (0.709)	5.5 (0.217)	0.9 (0.035)	S
MF-VS210	2.1	16	100	0.018	0.060	23.1 (0.909)	5.5 (0.217)	0.9 (0.035)	Std.
MF-VS210L	2.1	16	100	0.018	0.060	26 (1.023)	5.5 (0.217)	0.9 (0.035)	Std.
MF-VS210S	2.1	16	100	0.018	0.060	23.1 (0.909)	5.5 (0.217)	0.9 (0.035)	S

MF-LR Series (Low Resistance) 10-20 Volts Axial Leaded Strap 1.90-9.00 Amps Hold Current

Model	I _{hold} Amperes at 23 °C	V max. Volts	I max. Amps	Initial Resistance		Dimensions mm/(in)			Style
				Ohms at 23 °C		A Max.	B Max.	C Max.	
				Min.	Max.				
MF-LR190	1.90	15	100	0.039	0.102	22.1 (0.870)	5.2 (0.205)	1.0 (0.039)	Std.
MF-LR190S	1.90	15	100	0.039	0.102	22.1 (0.870)	5.2 (0.205)	1.0 (0.039)	S
MF-LR260	2.60	15	100	0.020	0.083	23.1 (0.909)	5.2 (0.205)	1.0 (0.039)	Std.
MF-LR260S	2.60	15	100	0.020	0.083	23.1 (0.909)	5.2 (0.205)	1.0 (0.039)	S
MF-LR380	3.80	15	100	0.013	0.037	26.0 (1.024)	7.5 (0.295)	1.0 (0.039)	Std.
MF-LR450	4.50	16	100	0.011	0.028	26.0 (1.024)	10.5 (0.414)	1.0 (0.039)	Std.
MF-LR550	5.50	10	100	0.009	0.022	37.0 (1.457)	7.5 (0.295)	1.0 (0.039)	Std.
MF-LR600	6.00	10	100	0.007	0.019	26.0 (1.024)	15.9 (0.626)	1.0 (0.039)	Std.
MF-LR730	7.30	10	100	0.006	0.015	30 (1.18)	15 (0.590)	1.0 (0.039)	Std.
MF-LR730/20	7.30	20	100	0.006	0.015	29.1 (1.146)	14.5 (0.571)	1.0 (0.039)	Std.
MF-LR900/20	9.00	20	100	0.006	0.014	47.6 (1.874)	8.5 (0.335)	1.3 (0.051)	Std.

Strap Products (Continued)

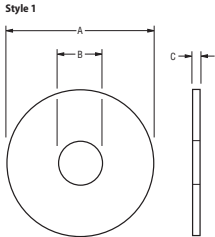
MF-LS Series (Lower Trip Temperature) 15-24 Volts
Axial Leaded Strap 1.0-3.4 Amps Hold Current

Model	I ^{hold} Amperes at 23 °C	V max. Volts	I max. Amps	Initial Resistance		Dimensions mm/(in)			Style
				Ohms at 23 °C		A Max.	B Max.	C Max.	
				Min.	Max.				
MF-LS100S	1.0	24	100	0.070	0.260	23.1 (0.909)	5.2 (0.205)	1.0 (0.039)	S
MF-LS180	1.8	24	100	0.040	0.120	26.0 (1.024)	5.2 (0.205)	1.0 (0.039)	Std.
MF-LS180L	1.8	24	100	0.040	0.120	37.5 (1.48)	5.6 (0.22)	1.0 (0.039)	Std.
MF-LS180S	1.8	24	100	0.040	0.120	26.0 (1.024)	5.2 (0.205)	1.0 (0.039)	S
MF-LS190	1.9	24	100	0.030	0.100	23.4 (0.921)	11.0 (0.433)	1.1 (0.043)	Std.
MF-LS190RU	1.9	15	100	0.030	0.100	20.8 (0.819)	14.3 (0.563)	0.76 (0.030)	RU
MF-LS260	2.6	24	100	0.025	0.076	26.0 (1.024)	11.9 (0.469)	1.0 (0.039)	Std.
MF-LS300	3.0	24	100	0.015	0.055	31.8 (1.252)	13.5 (0.531)	1.1 (0.043)	Std.
MF-LS340	3.4	24	100	0.016	0.050	26.0 (1.024)	15.9 (0.626)	1.0 (0.039)	Std.

MF-S Series (Standard) 15-30 Volts
Axial Leaded Strap 1.20-4.20 Amps Hold Current

Model	I ^{hold} Amperes at 23 °C	V max. Volts	I max. Amps	Initial Resistance		Dimensions mm/(in)			Style
				Ohms at 23 °C		A Max.	B Max.	C Max.	
				Min.	Max.				
MF-S120	1.20	15	100	0.085	0.220	22.1 (0.870)	5.2 (0.205)	1.0 (0.039)	Std.
MF-S120S	1.20	15	100	0.085	0.220	22.1 (0.870)	5.2 (0.205)	1.0 (0.039)	S
MF-S150	1.50	15	100	0.050	0.113	23.4 (0.921)	11.0 (0.433)	1.1 (0.043)	Std.
MF-S175	1.75	15	100	0.050	0.120	23.1 (0.909)	5.2 (0.205)	1.0 (0.039)	Std.
MF-S175S	1.75	15	100	0.050	0.120	23.1 (0.909)	5.2 (0.205)	1.0 (0.039)	S
MF-S200	2.00	30	100	0.030	0.080	23.4 (0.921)	11.0 (0.433)	1.1 (0.043)	Std.
MF-S350	3.50	30	100	0.017	0.040	31.8 (1.252)	13.5 (0.531)	1.1 (0.043)	Std.
MF-S420	4.20	30	100	0.012	0.040	32.4 (1.276)	13.6 (0.535)	1.1 (0.043)	Std.

Disk & Chip Type PTC Products



MF-D Series* 15 Volts
Disk Configuration 2.5 - 12.2 Amps Hold Current

Model	I ^{hold} Amperes at 23 °C	V max. Volts	I max. Amps	Initial Resistance		Dimensions mm/(in)			Style
				Ohms at 23 °C		A Max.	B Max.	C Max.	
				Min.	Max.				
MF-D	2.5	15	10	0.015	0.032	14.4 (0.567)	6.3 (0.248)	0.36 (0.014)	1
MF-D	3.5	15	20	0.015	0.032	16.4 (0.646)	10.0 (0.394)	0.36 (0.014)	1
MF-D	5.5	15	40	0.014	0.30	16.08 (0.633)	9.0 (0.354)	0.36 (0.014)	1
MF-D	12.2	15	50	0.007	0.017	2.4 (0.945)	—	0.36 (0.014)	1

*For ordering information, contact your Bourns representative.

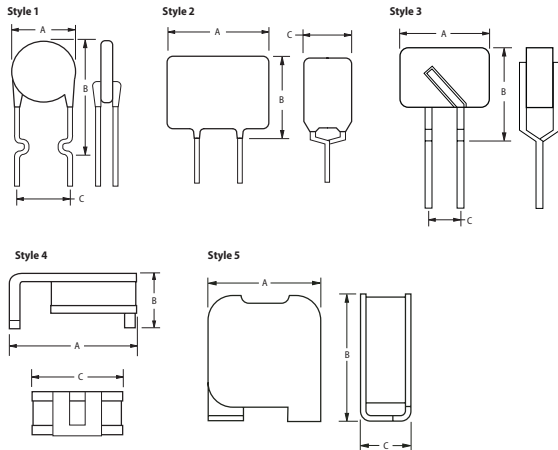
Features

- Custom designs to meet appropriate applications
- Compatible with current industry standards
- Overcurrent and overtemperature protection
- Standard and low-temperature material
- Patents pending

Applications

- Lithium cells
- Battery cells
- Powered toys
- Motors

Telecom Products



Features

- Designed to Withstand Lightning Surge
- Designed to Withstand AC Power Cross
- Available in Matched Resistance “Bins”

Applications

- CPE and Central Office
- Access Equipment
- Hybrid-Fiber Coax

MF-R/90 Series Radial Leaded

90 Volts
0.55-0.75 Amps Hold Current

Model	I _{hold} Amperes at 23 °C	V max. Volts	I max. Amps	Initial Resistance		Dimensions mm/(in)			Style
				Ohms at 23 °C		A Max.	B Max.	C Nom.	
				Min.	Max.				
MF-R055/90	0.55	90	10	0.45	2.0	10.9 (0.43)	16.7 (0.65)	5.1 (0.201)	1
MF-R055/90U	0.55	90	10	0.45	2.0	10.3 (0.4)	16.7 (0.65)	5.1 (0.201)	1
MF-R075/90	0.75	90	10	0.37	1.65	11.9 (0.47)	15.5 (0.61)	5.1 (0.201)	1

MF-RX/250 Series (Fast Trip, Small Package) Radial Leaded

60 Volts
250 Vrms short duration interrupt
0.12-0.18 Amps Hold Current

Model	I _{hold} Amperes at 23 °C	V max. Volts	I max. Amps	Initial Resistance		Dimensions mm/(in)			Style
				Ohms at 23 °C		A Max.	B Max.	C Max.	
				Min.	Max.				
MF-RX012/250	0.12	60	3.0	4.0	16.0	6.5 (0.256)	11.0 (0.433)	5.1 (0.201)	2
MF-RX012/250-A	0.12	60	3.0	7.0	16.0	6.5 (0.256)	11.0 (0.433)	5.1 (0.201)	2
MF-RX012/250-C	0.12	60	3.0	5.5	14.0	6.5 (0.256)	11.0 (0.433)	5.1 (0.201)	2
MF-RX012/250-F	0.12	60	3.0	6.0	16.0	6.5 (0.256)	11.0 (0.433)	5.1 (0.201)	2
MF-RX012/250-1	0.12	60	3.0	6.0	16.0	6.5 (0.256)	11.0 (0.433)	5.1 (0.201)	2
MF-RX012/250-2	0.12	60	3.0	8.0	16.0	6.5 (0.256)	11.0 (0.433)	5.1 (0.201)	2
MF-RX012/250-T	0.12	60	3.0	7.0	16.0	6.5 (0.256)	11.0 (0.433)	5.1 (0.201)	2
MF-RX012/250U	0.12	60	3.0	6.0	16.0	6.0 (0.236)	10.0 (0.394)	5.1 (0.201)	3
MF-RX014/250	0.145	60	3.0	3.0	14.0	6.5 (0.256)	11.0 (0.433)	5.1 (0.201)	2
MF-RX014/250-A	0.145	60	3.0	3.0	12.0	6.5 (0.256)	11.0 (0.433)	5.1 (0.201)	2
MF-RX014/250-B	0.145	60	3.0	4.5	14.0	6.5 (0.256)	11.0 (0.433)	5.1 (0.201)	2
MF-RX014/250-T	0.145	60	3.0	5.4	14.0	6.5 (0.256)	11.0 (0.433)	5.1 (0.201)	2
MF-RX014/250U	0.145	60	3.0	3.5	12.0	6.0 (0.236)	10.0 (0.394)	5.1 (0.201)	3
MF-RX018/250	0.18	60	10.0	0.8	4.0	11.0 (0.433)	13.6 (0.535)	5.1 (0.201)	2
MF-RX018/250U	0.18	60	10.0	0.8	4.0	10.4 (0.409)	12.6 (0.496)	5.1 (0.201)	3

MF-R/600 Series Radial Leaded

60 Volts
600 Vrms short duration interrupt
0.15-0.16 Amps Hold Current

Model	I _{hold} Amperes at 23 °C	V max. Volts	I max. Amps	Initial Resistance		Dimensions mm/(in)			Style
				Ohms at 23 °C		A Max.	B Max.	C Max.	
				Min.	Max.				
MF-R015/600	0.15	60	3.0	6.0	22.0	13.5 (0.531)	12.6 (0.496)	6.0 (0.236)	2
MF-R015/600-A	0.15	60	3.0	7.0	20.0	13.5 (0.531)	12.6 (0.496)	6.0 (0.236)	2
MF-R015/600-B	0.15	60	3.0	9.0	22.0	13.5 (0.531)	12.6 (0.496)	6.0 (0.236)	2
MF-R015/600-F	0.15	60	3.0	7.0	22.0	13.5 (0.531)	12.6 (0.496)	6.0 (0.236)	2
MF-R016/600	0.16	60	3.0	4.0	18.0	16.0 (0.629)	12.6 (0.496)	6.0 (0.236)	2
MF-R016/600-A	0.16	60	3.0	4.0	16.0	16.0 (0.629)	12.6 (0.496)	6.0 (0.236)	2
MF-R016/600-1	0.16	60	3.0	4.0	17.0	16.0 (0.629)	12.6 (0.496)	6.0 (0.236)	2

MF-SM013/250 Series Surface Mount

60 Volts
250 Vrms short duration interrupt
0.13 Amps Hold Current

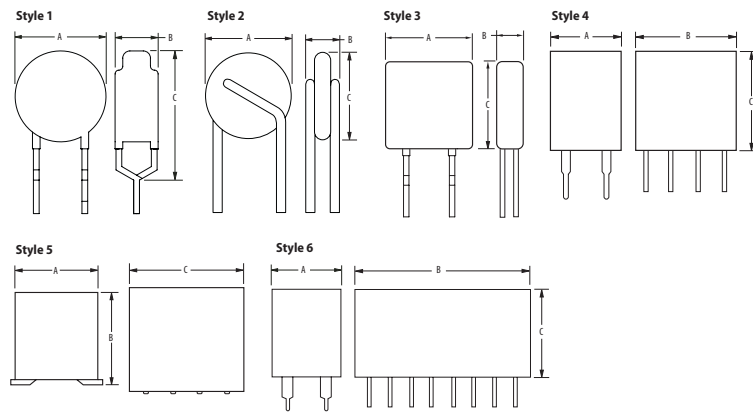
Model	I _{hold} Amperes at 23 °C	V max. Volts	I max. Amps	Initial Resistance		Dimensions mm/(in)			Style
				Ohms at 23 °C		A Max.	B Max.	C Max.	
				Min.	Max.				
MF-SM013/250-2	0.13	60	3.0	6.5	20.0	9.4 (0.370)	3.7 (0.146)	7.4 (0.291)	4
MF-SM013/250-A-2	0.13	60	3.0	6.5	20.0	9.4 (0.370)	3.7 (0.146)	7.4 (0.291)	4
MF-SM013/250-B-2	0.13	60	3.0	9.0	20.0	9.4 (0.370)	3.7 (0.146)	7.4 (0.291)	4
MF-SM013/250-C-2	0.13	60	3.0	7.0	20.0	9.4 (0.370)	3.7 (0.146)	7.4 (0.291)	4

MF-SM013/250V Series Surface Mount

60 Volts
250 Vrms short duration interrupt
0.13 Amps Hold Current

Model	I _{hold} Amperes at 23 °C	V max. Volts	I max. Amps	Initial Resistance		Dimensions mm/(in)			Style
				Ohms at 23 °C		A Max.	B Max.	C Max.	
				Min.	Max.				
MF-SM013/250V	0.13	250	3.0	6.5	20.0	6.6 (0.260)	7.4 (0.291)	3.2 (0.126)	5

Ceramic PTC Products



Features

- Ceramic PTCs for telecom overcurrent protection
- Wide range of form factors for most applications
- Aids telecom compliance with:
 - ITU-T K.20/21/45
 - Telcordia GR-1089-CORE
 - UL 60950, 3rd Ed.
- Narrow and matched resistance tolerances

Applications

- Used as secondary overcurrent protection devices in:
- Customer Premise Equipment (CPE)
 - Central Office Equipment (CO)
 - Access Equipment

CMF-RL Series Radial Leaded 230 Volts ±0.5 Ohms Packaging Resistance Matching

Model	Induction Voltage Withstand VAC	Rated Resistance (RN)		Hold Current Amps at 25 °C	Trip Current Amps at 25 °C	Dimensions mm/(in)			Style
		Ohms	Tolerance			A Max.	B Max.	C Nom.	
CMF-RL10	650	10	±20 %	0.14	0.3	9.5 (0.374)	4.5 (0.177)	13.5 (0.531)	1
CMF-RL10-10	650	10	±10 %	0.14	0.3	9.5 (0.374)	4.5 (0.177)	13.5 (0.531)	1
CMF-RL25U	650	35	±20 %	0.060	0.15	5.2 (0.205)	3.5 (0.138)	5.2 (0.205)	2
CMF-RL35	650	35	±20 %	0.075	0.15	9.8 (0.386)	5.0 (0.197)	13.5 (0.531)	1
CMF-RL35-10	650	35	±10 %	0.075	0.15	9.8 (0.386)	5.0 (0.197)	13.5 (0.531)	1
CMF-RL35SA	650	35	±10 %	0.075	0.15	7.5 (0.295)	5.6 (0.220)	13.0 (0.512)	1
CMF-RL35SA-10	650	35	±10 %	0.075	0.15	7.5 (0.295)	5.6 (0.220)	13.0 (0.512)	1
CMF-RL50	650	50	±20 %	0.065	0.15	9.8 (0.386)	5.0 (0.197)	13.5 (0.531)	1
CMF-RL50-10	650	50	±10 %	0.065	0.15	9.8 (0.386)	5.0 (0.197)	13.5 (0.531)	1
CMF-RL50A	650	50	±20 %	0.05	0.10	7.5 (0.295)	5.6 (0.220)	13.0 (0.512)	1
CMF-RL50A-10	650	50	±10 %	0.05	0.10	7.5 (0.295)	5.6 (0.220)	13.0 (0.512)	1
CMF-RL55	650	55	±20 %	0.065	0.15	9.8 (0.386)	5.0 (0.197)	13.5 (0.531)	1
CMF-RL55-10	650	55	±10 %	0.065	0.15	9.8 (0.386)	5.0 (0.197)	13.5 (0.531)	1
CMF-RL55A	650	55	±20 %	0.05	0.10	7.5 (0.295)	5.6 (0.220)	13.0 (0.512)	1
CMF-RL55A-10	650	55	±10 %	0.05	0.10	7.5 (0.295)	5.6 (0.220)	13.0 (0.512)	1

CMF-RLC Series Ceramic Housing Through-hole/Ceramic Case ±0.5 Ohms Packaging Resistance Matching

Model	Induction Voltage Withstand VAC	Rated Resistance (RN)		Hold Current Amps at 25 °C	Trip Current Amps at 25 °C	Dimensions mm/(in)			Style
		Ohms	Tolerance			A Max.	B Max.	C Nom.	
CMF-RLC50	650	50	±20 %	0.065	0.15	9.2 (0.362)	4.7 (0.185)	9.6 (0.378)	3
CMF-RLC50-10	650	50	±10 %	0.065	0.15	9.2 (0.362)	4.7 (0.185)	9.6 (0.378)	3

CMF-SD Series 230 V Rated ±0.5 Ohms Resistance Twin Pack/SMD Matching in Housing

Model	Induction Voltage Withstand VAC	Rated Resistance (RN)		Hold Current Amps at 25 °C	Trip Current Amps at 25 °C	Dimensions mm/(in)			Style
		Ohms	Tolerance			A Max.	B Max.	C Nom.	
CMF-SD25	600	25	±20 %	0.13	0.26	9.0 (0.354)	10.8 (0.425)	10.2 (0.402)	5
CMF-SD25-10	600	25	±10 %	0.13	0.26	9.0 (0.354)	10.8 (0.425)	10.2 (0.402)	5
CMF-SD25A	600	25	±20 %	0.13	0.26	7.15 (0.281)	8.5 (0.335)	8.1 (0.319)	5
CMF-SD25A-10	600	25	±10 %	0.13	0.26	7.15 (0.281)	8.5 (0.335)	8.1 (0.319)	5
CMF-SD35	600	35	±20 %	0.10	0.20	9.0 (0.354)	10.8 (0.425)	10.2 (0.402)	5
CMF-SD35-10	600	35	±10 %	0.10	0.20	9.0 (0.354)	10.8 (0.425)	10.2 (0.402)	5
CMF-SD35A	600	35	±20 %	0.10	0.20	7.15 (0.281)	8.5 (0.335)	8.1 (0.319)	5
CMF-SD35A-10	600	35	±10 %	0.10	0.20	7.15 (0.281)	8.5 (0.335)	8.1 (0.319)	5
CMF-SD50	600	50	±20 %	0.09	0.19	9.0 (0.354)	10.8 (0.425)	10.2 (0.402)	5
CMF-SD50-10	600	50	±10 %	0.09	0.19	9.0 (0.354)	10.8 (0.425)	10.2 (0.402)	5
CMF-SD50A	600	50	±20 %	0.09	0.19	7.15 (0.281)	8.5 (0.335)	8.1 (0.319)	5
CMF-SD50A-10	600	50	±10 %	0.09	0.19	7.15 (0.281)	8.5 (0.335)	8.1 (0.319)	5

CMF-RD Series 230 Volts ±0.5 Ohms Packaging Resistance Matching Twin Pack/Through-hole

Model	Induction Voltage Withstand VAC	Rated Resistance (RN)		Hold Current Amps at 25 °C	Trip Current Amps at 25 °C	Dimensions mm/(in)			Style
		Ohms	Tolerance			A Max.	B Max.	C Nom.	
CMF-RD50	600	50	±20 %	0.09	0.19	9.0 (0.354)	10.2 (0.402)	9.5 (0.446)	4
CMF-RD50-10	600	50	±10 %	0.09	0.19	9.0 (0.354)	10.2 (0.402)	9.5 (0.446)	4

CMF-RQ Series Four CPTCs in One Package ±0.5 Ohms Resistance Quad Pack/Through-hole Matching in Housing

Model	Induction Voltage Withstand VAC	Rated Resistance (RN)		Hold Current Amps at 25 °C	Trip Current Amps at 25 °C	Dimensions mm/(in)			Style
		Ohms	Tolerance			A Max.	B Max.	C Nom.	
CMF-RQ50	600	50	±20 %	0.09	0.19	10.0 (0.393)	21.0 (0.826)	11.0 (0.433)	6
CMF-RQ50-10	600	50	±10 %	0.09	0.19	10.0 (0.393)	21.0 (0.826)	11.0 (0.433)	6

How To Order

MF-RX 012/250 U - A 05 - 2

Bourns® Multifuse® Product Designator

Series

- D = Disk Configuration
- LR = Axial Leaded Strap
- LS = Axial Leaded Strap
- MSMF = Surface Mount
- NSMF = Surface Mount
- PSMF = Surface Mount
- R = Radial Leaded
- RG = Radial Leaded
- RHT = High Temp. Radial Mount
- RX = Radial Leaded
- S = Axial Leaded Strap
- SM = Surface Mount
- SMDF = Surface Mount
- SMHT = High Temp. Surface Mount
- SVS = Axial Leaded Strap
- USMF = Surface Mount
- VS = Axial Leaded Strap
- VSN = Axial Leaded Strap

Hold Current, I_{hold}

Voltage Options:

Max. Interrupt Voltage, V

Construction Options:

- N = Narrow Device Option (3.6 mm)*
- S = Slotted Lead Option (one side)*
- SS = Slotted Lead Option (two sides)*
- U = Uncoated
- T = Pretripped **

Resistance Sorted**

(see individual data sheets)

Resistance Bins of 0.5 Ω **

05 = 0.5 Ω

Packaging Options

- 0 = Bulk Packaging
- 2 = Tape and Reel
- AP = Ammo-Pak

*Axial Leaded Strap products only.

**Telecom Radial Leaded products only.

***Radial Leaded products only.

Agency File Numbers



UL File Number.....E 174545S



CSA File NumberCA 110338



TÜV File NumberR2057213

Definitions

Agency Approvals

Bourns® PPTCs are certified under UL, CSA, IEC and TÜV registration programs.

Current, Hold (I_{hold})

The maximum current a PPTC device can pass without interruption.

Current, Maximum (I_{max})

The maximum fault current a PPTC device can withstand without damage at the rated voltage.

Current, Trip (I_{trip})

The minimum current that will switch a PPTC from the low resistance to the high resistance state.

Fault Current

The peak current that flows through a PPTC or wire during a short circuit or arc back.

Positive Temperature Coefficient (PTC)

A characteristic of the PPTC device that describes the large increase in resistance as the device reaches its switching (trip) temperature.

Resistance, Post Trip (R_{1max})

The maximum resistance one hour after a PPTC device has been tripped and power has been removed.

Resistance, Post Reflow (R_{1max})

The maximum resistance one hour after a PPTC surface mount device has been reflow soldered.

Voltage, Maximum (V_{max})

The maximum voltage a PPTC device can withstand without damage at the rated current.

Product Selection Worksheet

1. What is the normal circuit operating current (I_{hold})
2. What is the maximum circuit voltage (V_{max})
3. What is the maximum fault current (I_{max})
4. What is the preferred form factor

Note: Other factors including thermal derating and time to trip characteristics may be important application considerations. Please refer to the full Bourns® data sheet of each product at www.bourns.com/multifuse.



Worldwide Sales Offices

Country	Phone	Fax
Benelux:	+41 (0)41 768 5555	+41 (0)41 768 5510
Brazil:	+55 11 5505 0601	+55 11 5505 4370
China:	+86 21 64821250	+86 21 64821249
France:	+33 (0)2 5473 5151	+33 (0)2 5473 5156
Germany:	+49 (0)69 800 78212	+49 (0)69 800 78299
Ireland/UK:	+44 (0)1276 691087	+44 (0)1276 691088
Italy:	+41 (0)41 768 5555	+41 (0)41 768 5510
Japan:	+81 49 269 3204	+81 49 269 3297
Malaysia (KL Office):	+60 3 71183138	+60 3 71183139
Malaysia (Penang Office):	+60 4 6581771	+60 4 6582771
Singapore:	+65 63487227	+65 63481272
Switzerland:	+41 (0)41 768 5555	+41 (0)41 768 5510
Taiwan:	+886 2 25624117	+886 2 25624116
UK/Ireland:	+44 (0)1276 691087	+44 (0)1276 691088
USA:	+1-951-781-5500	+1-951-781-5006

Non-Listed European Countries:

+41 (0)41 768 5555 +41 (0)41 768 5510

Technical Assistance

Region	Phone	Fax
Asia-Pacific:	+886 2 25624117	+886 2 25624116
Europe:	+41 (0)41 768 5555	+41 (0)41 768 5510
Americas:	+1-951-781-5500	+1-951-781-5700

www.bourns.com

Bourns® products are available through an extensive global network of representatives and distributors.

To obtain technical applications assistance, a quotation, or to place an order, contact a Bourns representative in your area.

Specifications subject to change without notice. Actual performance in specific customer applications may differ due to the influence of other variables. Customers should verify actual device performance in their specific applications.



"Bourns" and "Multifuse" are registered trademarks of Bourns, Inc. in the U.S. and other countries.

COPYRIGHT© 2008, BOURNS, INC. • LITHO IN U.S.A. • WAG • 03/08 • 10M/MF0714