

24-Bit, 192-kHz Sampling, 8-Channel, Enhanced Multilevel, Delta-Sigma Digital-to-Analog Converter

FEATURES

- 24-Bit Resolution
- Analog Performance:
 - Dynamic Range:
 - 100 dB, Typical (PCM1608Y)
 - 105 dB, Typical (PCM1608KY)
 - SNR:
 - 100 dB, Typical (PCM1608Y)
 - 105 dB, Typical (PCM1608KY)
 - THD+N:
 - 0.003%, Typical (PCM1608Y)
 - 0.002%, Typical (PCM1608KY)
 - Full-Scale Output: 3.1 Vp-p, Typical
- 4×/8× Oversampling Interpolation Filter:
 - Stop-Band Attenuation: –55 dB
 - Pass-Band Ripple: ±0.03 dB
- Sampling Frequency:
 - 5 kHz to 200 kHz (Channels 1, 2, 7, and 8)
 - 5 kHz to 100 kHz (Channels 3, 4, 5, and 6)
- Accepts 16-, 18-, 20-, and 24-Bit Audio Data
- Data Formats: Standard, I²S, and Left-Justified
- System Clock: 128 f_S, 192 f_S, 256 f_S, 384 f_S, 512 f_S, or 768 f_S
- User-Programmable Functions:
 - Digital Attenuation: 0 dB to –63 dB, 0.5 dB/Step
 - Soft Mute
 - Zero Flags Can Be Used As General-Purpose Logic Output
 - Digital De-Emphasis
 - Digital Filter Rolloff: Sharp or Slow

- Dual-Supply Operation:
 - 5-V Analog
 - 3.3-V Digital
- 5-V Tolerant Digital Logic Inputs
- Package: LQFP-48

APPLICATIONS

- Integrated A/V Receivers
- DVD Movie and Audio Players
- HDTV Receivers
- Car Audio Systems
- DVD Add-On Cards for High-End PCs
- Digital Audio Workstations
- Other Multichannel Audio Systems

DESCRIPTION

The PCM1608 is a CMOS, monolithic integrated circuit that features eight 24-bit audio digital-to-analog converters (DACs) and support circuitry in a small LQFP-48 package. The DACs use Texas Instruments' enhanced multilevel, delta-sigma architecture that employs fourth-order noise shaping and 8-level amplitude quantization to achieve excellent signal-to-noise performance and a high tolerance to clock jitter.

The PCM1608 accepts industry-standard audio data formats with 16- to 24-bit audio data. Sampling rates up to 200 kHz (channels 1, 2, 7, and 8) or 100 kHz (channels 3, 4, 5, and 6) are supported. A full set of user-programmable functions is accessible through a 4-wire serial control port that supports register write and read functions.



Please be aware that an important notice concerning availability, standard warranty, and use in critical applications of Texas Instruments semiconductor products and disclaimers thereto appears at the end of this data sheet.

FilterPro is a trademark of Texas Instruments.

System Two, Audio Precision are trademarks of Audio Precision, Inc.

All trademarks are the property of their respective owners.



This integrated circuit can be damaged by ESD. Texas Instruments recommends that all integrated circuits be handled with appropriate precautions. Failure to observe proper handling and installation procedures can cause damage.

ESD damage can range from subtle performance degradation to complete device failure. Precision integrated circuits may be more susceptible to damage because very small parametric changes could cause the device not to meet its published specifications.

ABSOLUTE MAXIMUM RATINGS⁽¹⁾

over operating free-air temperature range (unless otherwise noted)

V_{DD}	Power supply voltage	-0.3 V to 4 V
V_{CC}		-0.3 V to 6.5 V
V_{CC}, V_{DD}	Supply voltage difference	$V_{CC} - V_{DD} < 3 \text{ V}$
	Ground voltage differences	$\pm 0.1 \text{ V}$
	Digital input voltage	-0.3 V to 6.5 V
	Input current (except power supply pins)	$\pm 10 \text{ mA}$
	Operating temperature under bias	-40°C to 125°C
	Storage temperature	-55°C to 150°C
	Junction temperature	150°C
	Lead temperature (soldering)	260°C, 5 s
	Package temperature (IR reflow, peak)	235°C

(1) Stresses beyond those listed under "absolute maximum ratings" may cause permanent damage to the device. These are stress ratings only, and functional operation of the device at these or any other conditions beyond those indicated under "recommended operating conditions" is not implied. Exposure to absolute-maximum-rated conditions for extended periods may affect device reliability.

RECOMMENDED OPERATING CONDITIONS

over operating free-air temperature range

		MIN	NOM	MAX	UNIT
Digital supply voltage, V_{DD}		3	3.3	3.6	V
Analog supply voltage, V_{CC}		4.5	5	5.5	V
Digital input logic family		TTL			
Digital input clock frequency	System clock	8.192		36.864	MHz
	Sampling clock, V_{OUT1}, V_{OUT2}	32		192	kHz
	Sampling clock, $V_{OUT3}, V_{OUT4}, V_{OUT5}, V_{OUT6}$	32		96	
Analog output load resistance		5			k Ω
Analog output load capacitance				50	pF
Digital output load capacitance				20	pF
Operating free-air temperature, T_A		-25		85	°C

ELECTRICAL CHARACTERISTICS

All specifications at $T_A = 25^\circ\text{C}$, $V_{CC} = 5\text{ V}$, $V_{DD} = 3.3\text{ V}$, system clock = $384 f_S$ ($f_S = 44.1\text{ kHz}$), and 24-bit data, unless otherwise noted

PARAMETER		TEST CONDITIONS	MIN	TYP	MAX	UNIT	
RESOLUTION			24			Bits	
DATA FORMAT							
Audio data interface formats			Standard, I ² S, left-justified				
Audio data bit length			16-, 18-, 20-, 24-bit, selectable				
Audio data format			MSB-first, binary 2s complement				
f_S	Sampling frequency	$V_{OUT1}, V_{OUT2}, V_{OUT7}, V_{OUT8}$	5		200	kHz	
		$V_{OUT3}, V_{OUT4}, V_{OUT5}, V_{OUT6}$	5		100		
System clock frequency			128 f_S , 192 f_S , 256 f_S , 384 f_S , 512 f_S , 768 f_S				
DIGITAL INPUT/OUTPUT							
Logic family			TTL-compatible				
V_{IH}	Input logic level		2		0.8	Vdc	
V_{IL}							
$I_{IH}^{(1)}$	Input logic current	$V_{IN} = V_{DD}$			10	μA	
$I_{IL}^{(1)}$		$V_{IN} = 0\text{ V}$			-10		
$I_{IH}^{(2)}$		$V_{IN} = V_{DD}$		65			100
$I_{IL}^{(2)}$		$V_{IN} = 0\text{ V}$					-10
V_{OH}	Output logic level	$I_{OH} = -4\text{ mA}$	2.4		1	Vdc	
V_{OL}		$I_{OL} = 4\text{ mA}$					
DYNAMIC PERFORMANCE ⁽³⁾⁽⁴⁾							
PCM1608Y							
THD+N	Total harmonic distortion + noise	$V_{OUT} = 0\text{ dB}, f_S = 44.1\text{ kHz}$		0.003%	0.01%		
		$V_{OUT} = 0\text{ dB}, f_S = 96\text{ kHz}$		0.005%			
		$V_{OUT} = 0\text{ dB}, f_S = 192\text{ kHz}$		0.006%			
		$V_{OUT} = -60\text{ dB}, f_S = 44.1\text{ kHz}$		1.25%			
		$V_{OUT} = -60\text{ dB}, f_S = 96\text{ kHz}$		1.4%			
		$V_{OUT} = -60\text{ dB}, f_S = 192\text{ kHz}$		1.65%			
Dynamic range		EIAJ, A-weighted, $f_S = 44.1\text{ kHz}$	94	100		dB	
		A-weighted, $f_S = 96\text{ kHz}$		99			
		A-weighted, $f_S = 192\text{ kHz}$		98			
SNR	Signal-to-noise ratio	EIAJ, A-weighted, $f_S = 44.1\text{ kHz}$	94	100		dB	
		A-weighted, $f_S = 96\text{ kHz}$		99			
		A-weighted, $f_S = 192\text{ kHz}$		98			
Channel separation		$f_S = 44.1\text{ kHz}$	91	98		dB	
		$f_S = 96\text{ kHz}$		97			
		$f_S = 192\text{ kHz}$		96			
Level linearity error		$V_{OUT} = -90\text{ dB}$		± 0.5		dB	

(1) Pins 31, 38, 40, 41, 45–47 (DATA4, SCKI, BCK, LRCK, DATA1, DATA2, DATA3)

(2) Pins 34–37 (MDI, MC, ML, RST)

(3) Analog performance specifications are tested using a System Two™ Cascade audio measurement system by Audio Precision™ with 400-Hz HPF on, 30-kHz LPF on, average mode with 20-kHz bandwidth limiting. The load connected to the analog output is 5 k Ω or larger, via capacitive loading.

(4) Conditions in 192-kHz operation are: system clock = 128 f_S , DAC3 through DAC6 disabled in register 8, and oversampling rate = 64 f_S in register 12.

ELECTRICAL CHARACTERISTICS (continued)

All specifications at $T_A = 25^\circ\text{C}$, $V_{CC} = 5\text{ V}$, $V_{DD} = 3.3\text{ V}$, system clock = $384 f_S$ ($f_S = 44.1\text{ kHz}$), and 24-bit data, unless otherwise noted

PARAMETER		TEST CONDITIONS	MIN	TYP	MAX	UNIT
PCM1608KY						
THD+N	Total harmonic distortion + noise	$V_{OUT} = 0\text{ dB}$, $f_S = 44.1\text{ kHz}$		0.002%	0.008%	
		$V_{OUT} = 0\text{ dB}$, $f_S = 96\text{ kHz}$		0.004%		
		$V_{OUT} = 0\text{ dB}$, $f_S = 192\text{ kHz}$		0.005%		
		$V_{OUT} = -60\text{ dB}$, $f_S = 44.1\text{ kHz}$		0.7%		
		$V_{OUT} = -60\text{ dB}$, $f_S = 96\text{ kHz}$		0.9%		
		$V_{OUT} = -60\text{ dB}$, $f_S = 192\text{ kHz}$		1%		
Dynamic range		EIAJ, A-weighted, $f_S = 44.1\text{ kHz}$	98	105		dB
		A-weighted, $f_S = 96\text{ kHz}$		103		
		A-weighted, $f_S = 192\text{ kHz}$		102		
SNR	Signal-to-noise ratio	EIAJ, A-weighted, $f_S = 44.1\text{ kHz}$	98	105		dB
		A-weighted, $f_S = 96\text{ kHz}$		103		
		A-weighted, $f_S = 192\text{ kHz}$		102		
Channel separation		$f_S = 44.1\text{ kHz}$	94	103		dB
		$f_S = 96\text{ kHz}$		101		
		$f_S = 192\text{ kHz}$		100		
Level linearity error		$V_{OUT} = -90\text{ dB}$		± 0.5		dB
DC ACCURACY						
Gain error				± 1	± 6	% of FSR
Gain mismatch, channel-to-channel				± 1	± 3	% of FSR
Bipolar zero error		$V_{OUT} = 0.5 V_{CC}$ at bipolar zero		± 30	± 60	mV
ANALOG OUTPUT						
Output voltage		Full scale (-0 dB)		$0.62 V_{CC}$		Vp-p
Center voltage				$0.5 V_{CC}$		Vdc
Load impedance		AC load		5		k Ω
DIGITAL FILTER PERFORMANCE						
Group delay time				$20/f_S$		
De-emphasis error				± 0.1		dB
Filter Characteristics 1, Sharp Rolloff						
Pass band		$\pm 0.03\text{ dB}$			$0.454 f_S$	
Pass band		-3 dB			$0.487 f_S$	
Stop band			$0.546 f_S$			
Pass-band ripple					± 0.03	dB
Stop-band attenuation		Stop band = $0.546 f_S$		-50		dB
Stop-band attenuation		Stop band = $0.567 f_S$		-55		dB
Filter Characteristics 2, Slow Rolloff						
Pass band		$\pm 0.5\text{ dB}$			$0.198 f_S$	
Pass band		-3 dB			$0.39 f_S$	
Stop band			$0.884 f_S$			
Pass-band ripple					± 0.5	dB
Stop-band attenuation		Stop band = $0.884 f_S$		-40		dB
ANALOG FILTER PERFORMANCE						
Frequency response		$f = 20\text{ kHz}$		-0.03		dB
		$f = 44\text{ kHz}$		-0.2		

ELECTRICAL CHARACTERISTICS (continued)

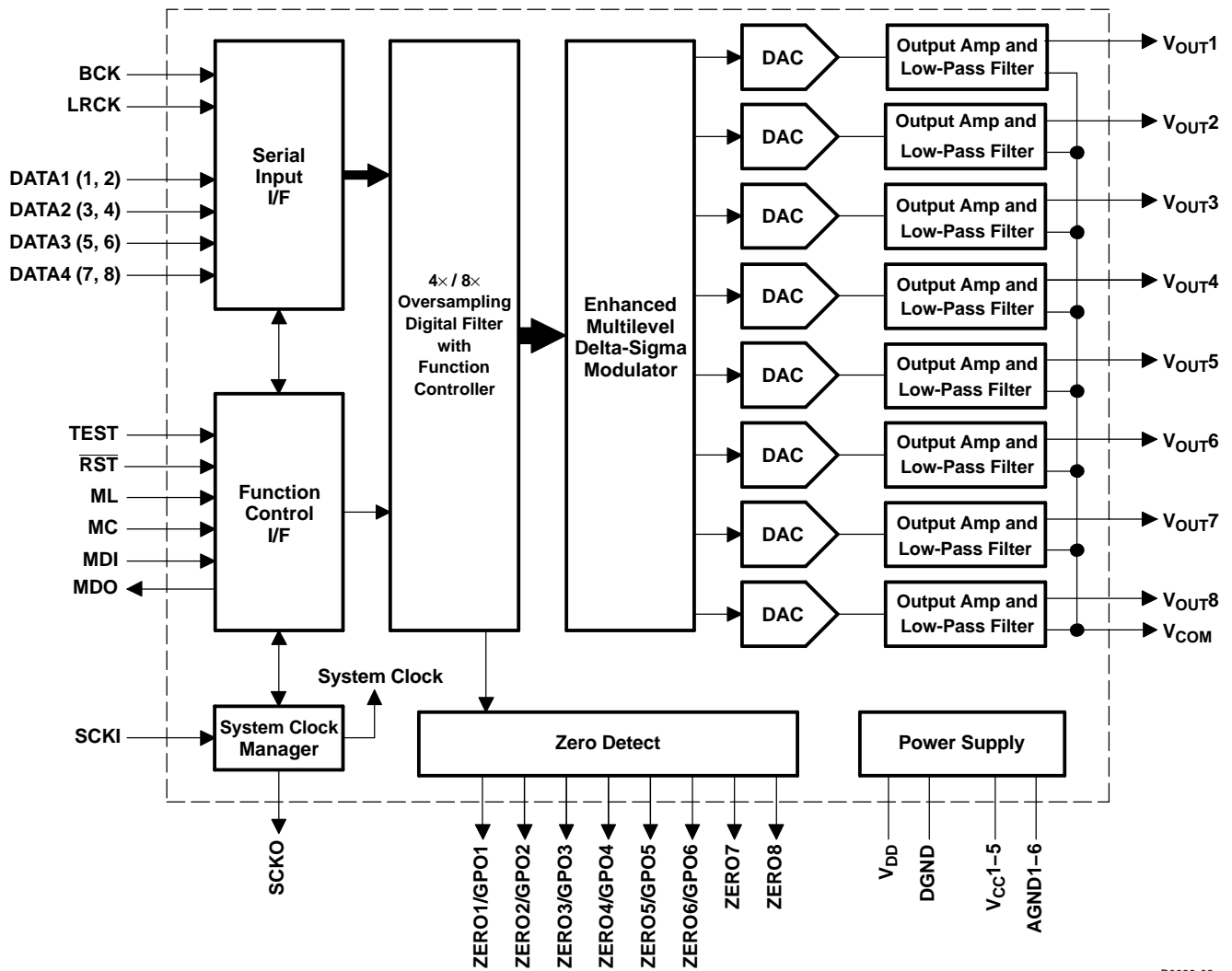
All specifications at $T_A = 25^\circ\text{C}$, $V_{CC} = 5\text{ V}$, $V_{DD} = 3.3\text{ V}$, system clock = $384 f_S$ ($f_S = 44.1\text{ kHz}$), and 24-bit data, unless otherwise noted

PARAMETER		TEST CONDITIONS	MIN	TYP	MAX	UNIT
POWER-SUPPLY REQUIREMENTS ⁽⁵⁾						
V_{DD}	Voltage range		3	3.3	3.6	Vdc
V_{CC}			4.5	5	5.5	
$I_{DD}^{(6)}$	Supply current	$f_S = 44.1\text{ kHz}$		18	25	mA
		$f_S = 96\text{ kHz}$		40		
		$f_S = 192\text{ kHz}$		40		
I_{CC}		$f_S = 44.1\text{ kHz}$		33	46	
		$f_S = 96\text{ kHz}$		36		
		$f_S = 192\text{ kHz}$		36		
Power dissipation		$f_S = 44.1\text{ kHz}$		224	313	mW
		$f_S = 96\text{ kHz}$		312		
		$f_S = 192\text{ kHz}$		312		
TEMPERATURE RANGE						
T_A	Operation temperature		-25		85	$^\circ\text{C}$
θ_{JA}	Thermal resistance			100		$^\circ\text{C/W}$

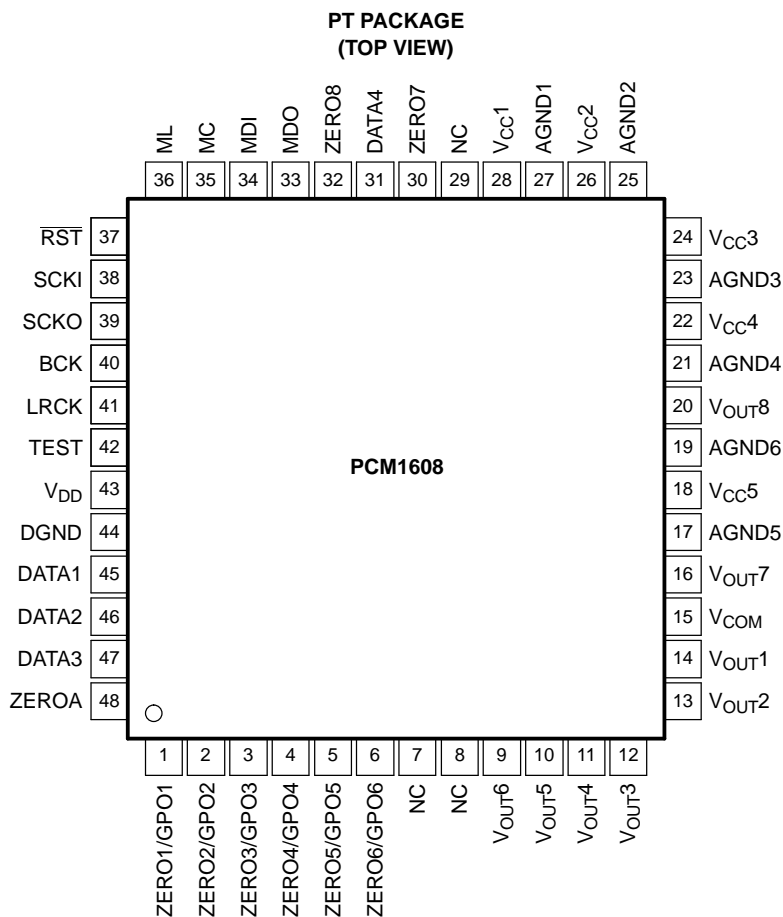
(5) Conditions in 192-kHz operation are: system clock = $128 f_S$, DAC3 through DAC6 disabled in register 8, and oversampling rate = $64 f_S$ in register 12.

(6) SCKO is disabled.

FUNCTIONAL BLOCK DIAGRAM



B0033-03



P0028-02

TERMINAL FUNCTIONS

TERMINAL		I/O	DESCRIPTION
NAME	NO.		
AGND1	27	–	Analog ground
AGND2	25	–	Analog ground
AGND3	23	–	Analog ground
AGND4	21	–	Analog ground
AGND5	17	–	Analog ground
AGND6	19	–	Analog ground
BCK	40	I	Shift clock input for serial audio data. Clock must be one of 32 f_s , 48 f_s , or 64 f_s . ⁽¹⁾
DATA1	45	I	Serial audio data input for V_{OUT1} and V_{OUT2} ⁽¹⁾
DATA2	46	I	Serial audio data input for V_{OUT3} and V_{OUT4} ⁽¹⁾
DATA3	47	I	Serial audio data input for V_{OUT5} and V_{OUT6} ⁽¹⁾
DATA4	31	I	Serial audio data input for V_{OUT7} and V_{OUT8} ⁽¹⁾
DGND	44	–	Digital ground
LRCK	41	I	Left and right clock input. This clock is equal to the sampling rate, f_s . ⁽¹⁾
MC	35	I	Shift clock for serial control port ⁽²⁾
MDI	34	I	Serial data input for serial control port ⁽²⁾
MDO	33	O	Serial data output for serial control port ⁽³⁾

(1) Schmitt-trigger input, 5-V tolerant

(2) Schmitt-trigger input with internal pulldown, 5-V tolerant

(3) 3-state output

TERMINAL FUNCTIONS (continued)

TERMINAL		I/O	DESCRIPTION
NAME	NO.		
ML	36	I	Latch enable for serial control port ⁽²⁾
NC	7, 8, 29	–	No connection
$\overline{\text{RST}}$	37	I	System reset, active-low ⁽²⁾
SCKI	38	I	System clock input. Input frequency is one of 128 f _S , 192 f _S , 256 f _S , 384 f _S , 512 f _S , or 768 f _S . ⁽¹⁾
SCKO	39	O	Buffered clock output. Output frequency is one of 128 f _S , 192 f _S , 256 f _S , 384 f _S , 512 f _S , or 768 f _S , or one-half of 128 f _S , 192 f _S , 256 f _S , 384 f _S , 512 f _S , or 768 f _S .
TEST	42	–	Test pin. This pin should be connected to DGND. ⁽²⁾
V _{CC1}	28	–	Analog power supply, 5-V
V _{CC2}	26	–	Analog power supply, 5-V
V _{CC3}	24	–	Analog power supply, 5-V
V _{CC4}	22	–	Analog power supply, 5-V
V _{CC5}	18	–	Analog power supply, 5-V
V _{COM}	15	O	Common voltage output. This pin should be bypassed with a 10- μ F capacitor to AGND.
V _{DD}	43	–	Digital power supply, 3.3-V
V _{OUT1}	14	O	Voltage output of audio signal corresponding to Lch on DATA1. Up to 192 kHz.
V _{OUT2}	13	O	Voltage output of audio signal corresponding to Rch on DATA1. Up to 192 kHz.
V _{OUT3}	12	O	Voltage output of audio signal corresponding to Lch on DATA2. Up to 96 kHz.
V _{OUT4}	11	O	Voltage output of audio signal corresponding to Rch on DATA2. Up to 96 kHz.
V _{OUT5}	10	O	Voltage output of audio signal corresponding to Lch on DATA3. Up to 96 kHz.
V _{OUT6}	9	O	Voltage output of audio signal corresponding to Rch on DATA3. Up to 96 kHz.
V _{OUT7}	16	O	Voltage output of audio signal corresponding to Lch on DATA4. Up to 192 kHz.
V _{OUT8}	20	O	Voltage output of audio signal corresponding to Rch on DATA4. Up to 192 kHz.
ZERO1/GPO1	1	O	Zero-data flag for V _{OUT1} . Can also be used as GPO pin.
ZERO2/GPO2	2	O	Zero-data flag for V _{OUT2} . Can also be used as GPO pin.
ZERO3/GPO3	3	O	Zero-data flag for V _{OUT3} . Can also be used as GPO pin.
ZERO4/GPO4	4	O	Zero-data flag for V _{OUT4} . Can also be used as GPO pin.
ZERO5/GPO5	5	O	Zero-data flag for V _{OUT5} . Can also be used as GPO pin.
ZERO6/GPO6	6	O	Zero-data flag for V _{OUT6} . Can also be used as GPO pin.
ZERO7	30	O	Zero-data flag for V _{OUT7}
ZERO8	32	O	Zero-data flag for V _{OUT8}
ZEROA	48	O	Zero-data flag. Logical AND of ZERO1 through ZERO6

TYPICAL PERFORMANCE CURVES

All specifications at $T_A = 25^\circ\text{C}$, $V_{CC} = 5\text{ V}$, $V_{DD} = 3.3\text{ V}$, $f_S = 44.1\text{ kHz}$, system clock = $384 f_S$, and 24-bit input data, unless otherwise noted

Digital Filter (De-Emphasis Off)

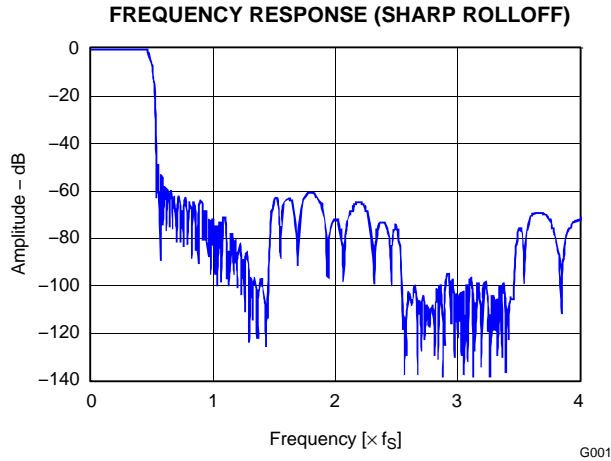


Figure 1.

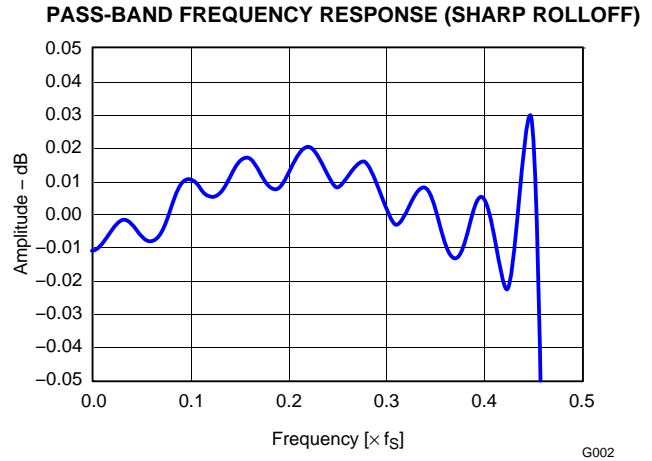


Figure 2.

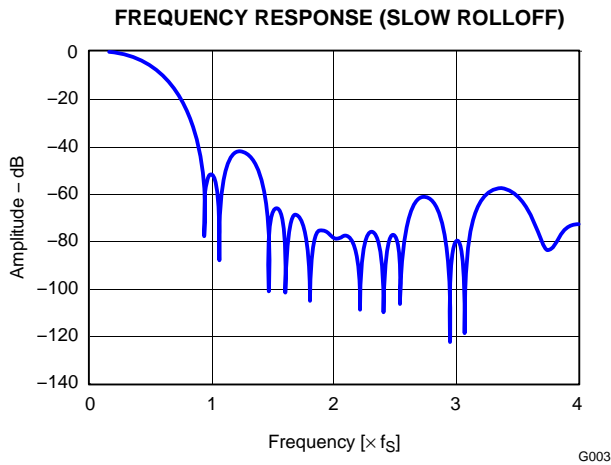


Figure 3.

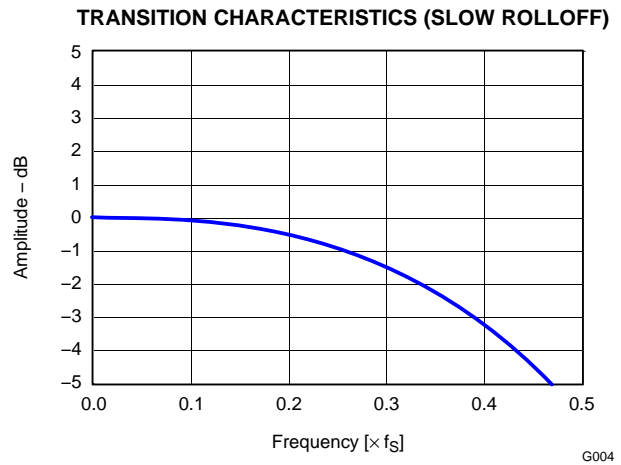


Figure 4.

TYPICAL PERFORMANCE CURVES (continued)

All specifications at $T_A = 25^\circ\text{C}$, $V_{CC} = 5\text{ V}$, $V_{DD} = 3.3\text{ V}$, $f_S = 44.1\text{ kHz}$, system clock = $384 f_S$, and 24-bit input data, unless otherwise noted

Digital Filter (De-Emphasis Curves)

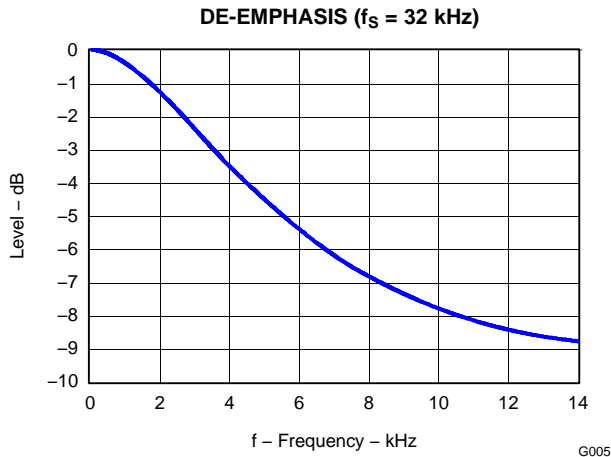


Figure 5.

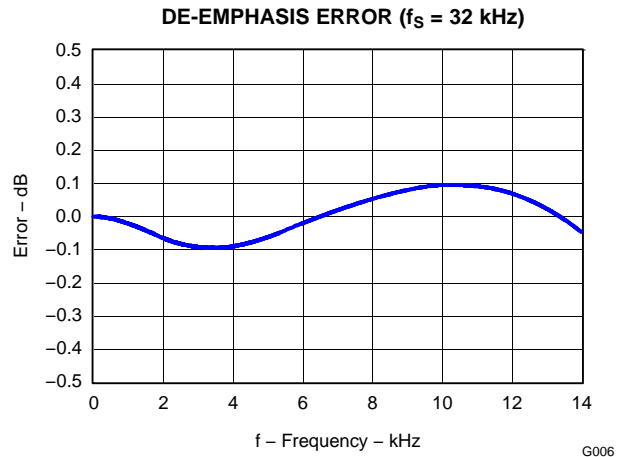


Figure 6.

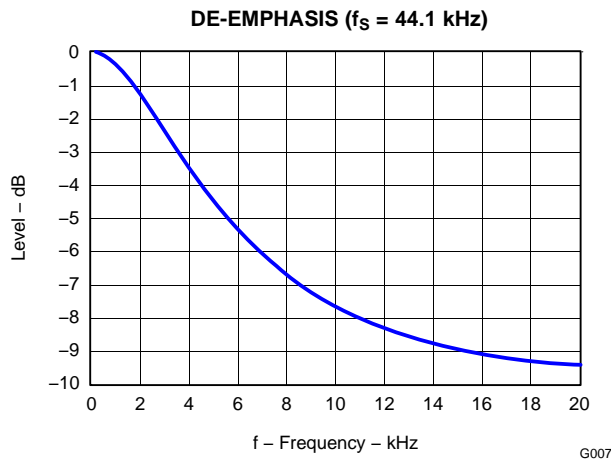


Figure 7.

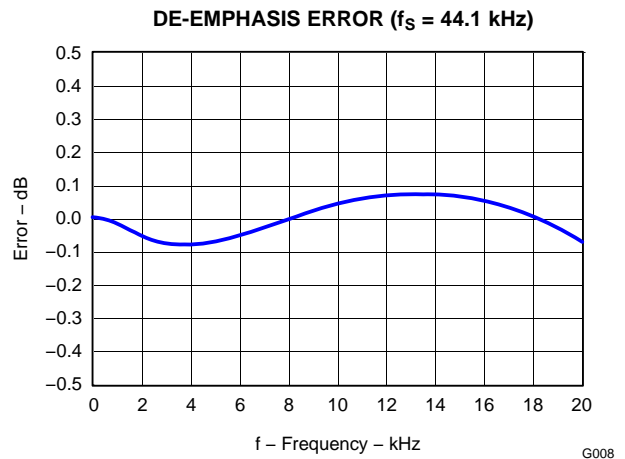


Figure 8.

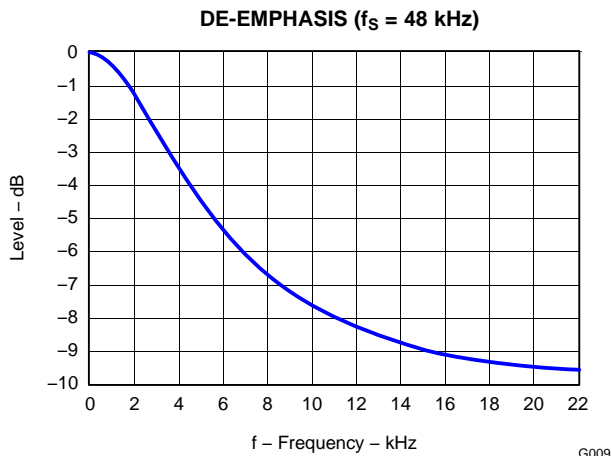


Figure 9.

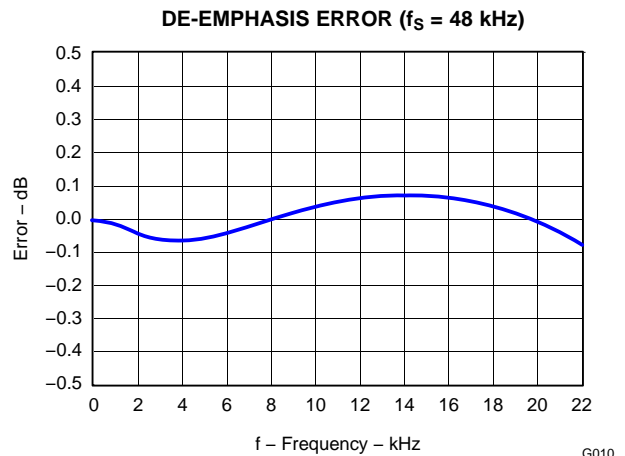


Figure 10.

TYPICAL PERFORMANCE CURVES (continued)

ANALOG DYNAMIC PERFORMANCE

All specifications at $T_A = 25^\circ\text{C}$, $V_{CC} = 5\text{ V}$, $V_{DD} = 3.3\text{ V}$, and 24-bit input data, unless otherwise noted. Conditions in 192-kHz operation are system clock = $128 f_s$, DAC3 through DAC6 disabled in register 8, and oversampling rate = $64 f_s$ (set by OVER bit in register 12).

Supply-Voltage Characteristics

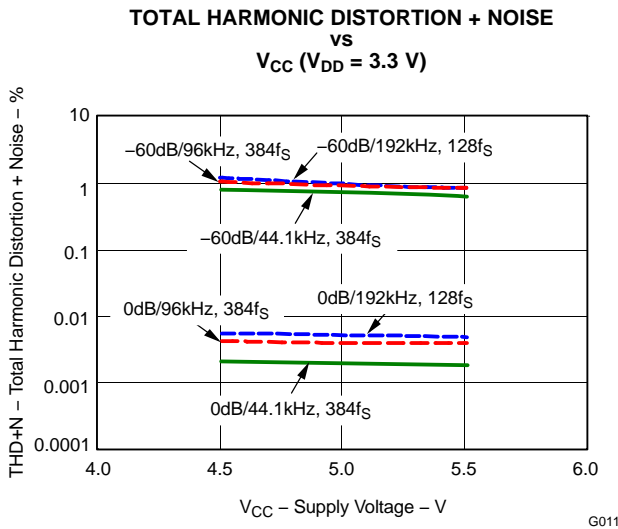


Figure 11.

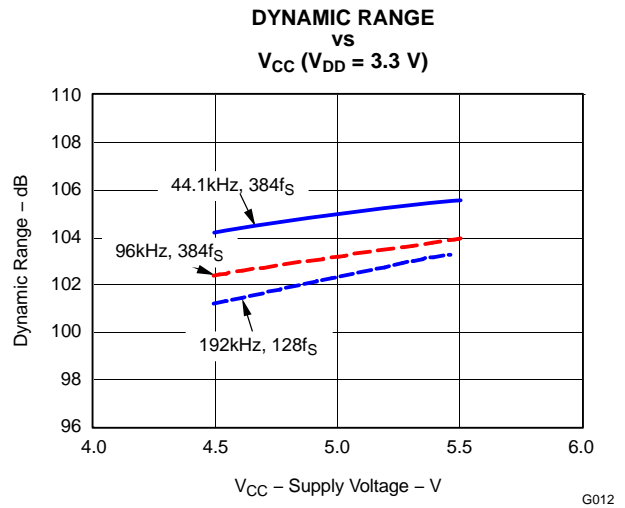


Figure 12.

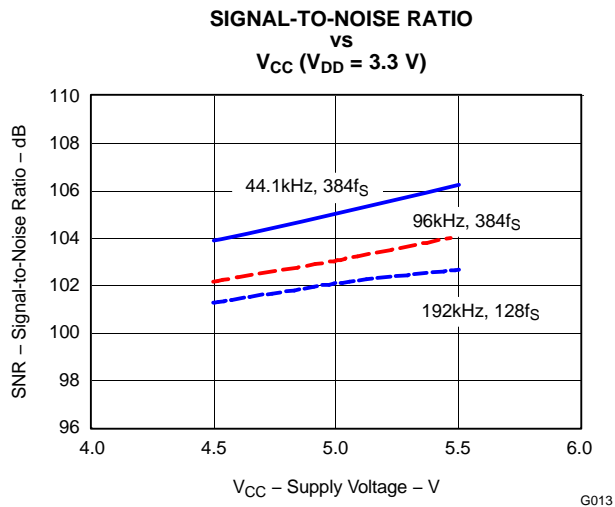


Figure 13.

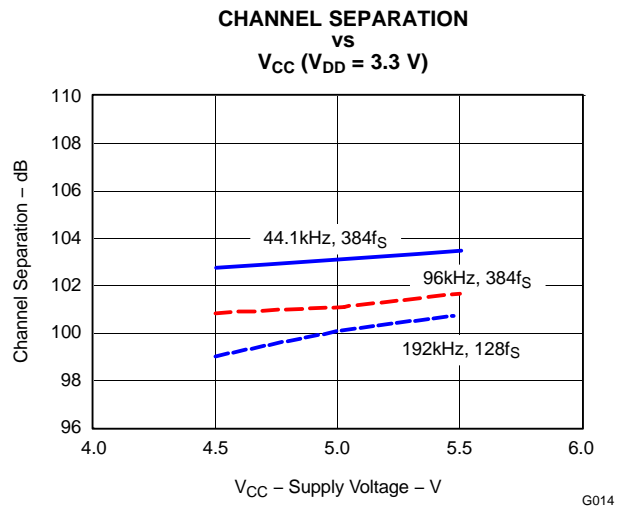


Figure 14.

TYPICAL PERFORMANCE CURVES (continued)

ANALOG DYNAMIC PERFORMANCE (continued)

All specifications at $T_A = 25^\circ\text{C}$, $V_{CC} = 5\text{ V}$, $V_{DD} = 3.3\text{ V}$, and 24-bit input data, unless otherwise noted. Conditions in 192-kHz operation are system clock = $128 f_s$, DAC3 through DAC6 disabled in register 8, and oversampling rate = $64 f_s$ (set by OVER bit in register 12).

Temperature Characteristics

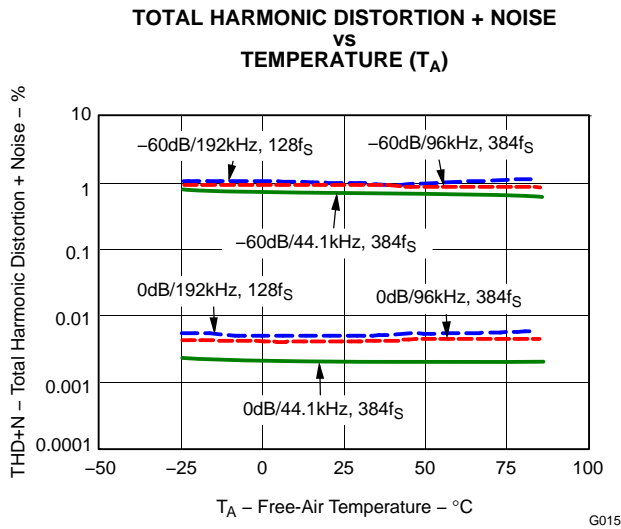


Figure 15.

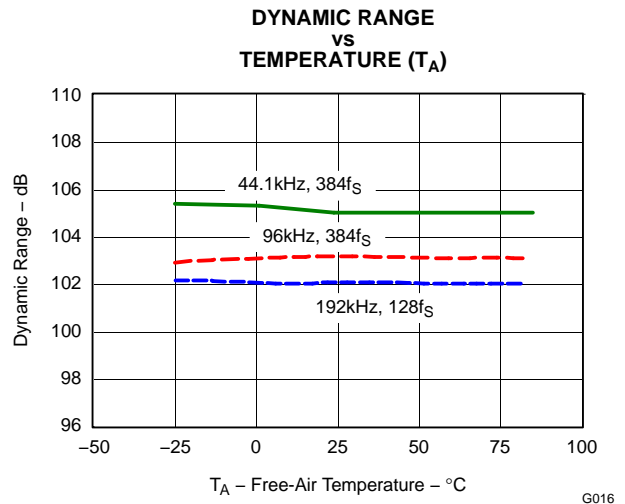


Figure 16.

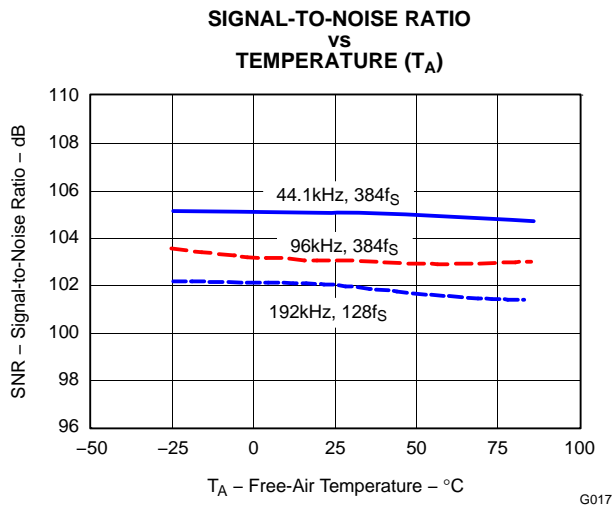


Figure 17.

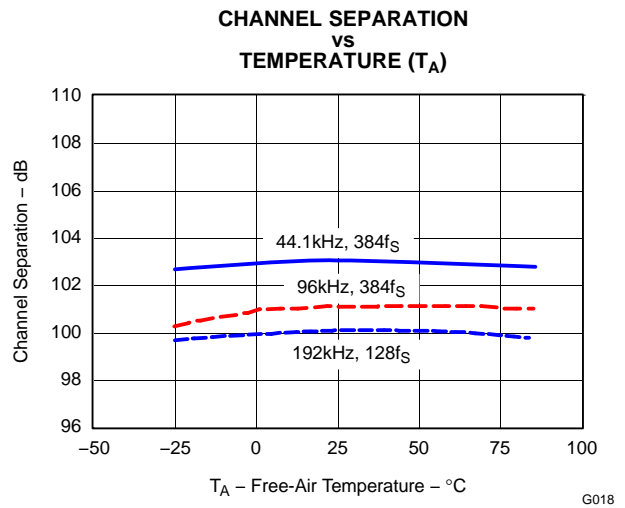


Figure 18.

SYSTEM CLOCK AND RESET FUNCTIONS

SYSTEM CLOCK INPUT

The PCM1608 requires a system clock for operating the digital interpolation filters and multilevel delta-sigma modulators. The system clock is applied at the SCKI input (pin 38). Table 1 shows examples of system clock frequencies for common audio sampling rates.

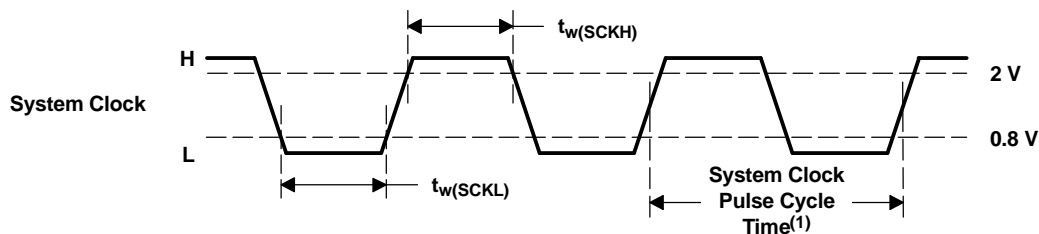
Figure 19 shows the timing requirements for the system clock input. For optimal performance, it is important to use a clock source with low phase jitter and noise. The PLL170x multiclock generator from Texas Instruments is an excellent choice for providing the PCM1608 system clock.

The 192-kHz sampling frequency operation is available on DATA1 for V_{OUT1} and V_{OUT2} and on DATA4 for V_{OUT7} and V_{OUT8} . It is recommended that V_{OUT3} , V_{OUT4} , V_{OUT5} , and V_{OUT6} be disabled when operating with $f_S = 192$ kHz. This can be done by setting the DAC3, DAC4, DAC5, and DAC6 bits of register 8 to a logic-1 state.

Table 1. System Clock Rates for Common Audio Sampling Frequencies

SAMPLING FREQUENCY (kHz)	SYSTEM CLOCK FREQUENCY (f_{SCLK}) (MHz)					
	$128 f_S$	$192 f_S$	$256 f_S$	$384 f_S$	$512 f_S$	$768 f_S$
8	(1)	(1)	2.048	3.072	4.096	6.144
16	(1)	(1)	4.096	6.144	8.192	12.288
32	(1)	(1)	8.192	12.288	16.384	24.576
44.1	(1)	(1)	11.2896	16.9344	22.5792	33.8688
48	(1)	(1)	12.288	18.432	24.576	36.864
96	(1)	(1)	24.576	36.864	49.152	(1)
192	24.576	36.864	(1)	(1)	(1)	(1)

(1) This system clock is not supported for the given sampling frequency.



T0005A08

SYMBOL	PARAMETER	MIN	MAX	UNIT
$t_w(SCKH)$	System clock pulse duration, HIGH	7		ns
$t_w(SCKL)$	System clock pulse duration, LOW	7		ns

(1) $1/128 f_S$, $1/256 f_S$, $1/384 f_S$, $1/512 f_S$, and $1/768 f_S$.

Figure 19. System Clock Timing

SYSTEM CLOCK OUTPUT

A buffered version of the system clock input is available at the SCKO output (pin 39). SCKO can operate at either full (f_{SCKI}) or half ($f_{SCKI}/2$) rate. The SCKO output frequency can be programmed using the CLKD bit of register 9. The SCKO output pin can also be enabled or disabled using the CLKE bit of register 9. If the SCKO output is not required, it is recommended to disable it using the CLKE bit. The default is SCKO enabled.

POWER-ON AND EXTERNAL RESET FUNCTIONS

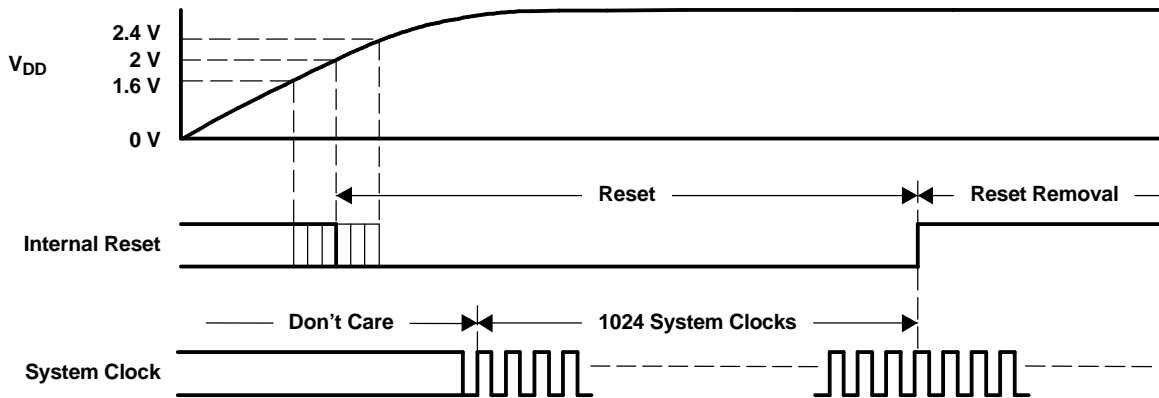
The PCM1608 includes a power-on-reset function, as shown in Figure 20. With the system clock active, and $V_{DD} > 2\text{ V}$ (typical, 1.6 V to 2.4 V), the power-on-reset function is enabled. The initialization sequence requires 1024 system clocks from the time $V_{DD} > 2\text{ V}$. After the initialization period, the PCM1608 is set to its reset default state, as described in the *Mode Control Registers* section of this data sheet.

The PCM1608 also includes an external reset capability using the $\overline{\text{RST}}$ input (pin 37). This allows an external controller or master reset circuit to force the PCM1608 to initialize to its reset default state. For normal operation, $\overline{\text{RST}}$ should be set to a logic-1.

The external reset operation and timing is shown in Figure 21. The $\overline{\text{RST}}$ pin is set to logic-0 for a minimum of 20 ns. After the initialization sequence is completed, the PCM1608 is set to its reset default state, as described in the *Mode Control Registers* section of this data sheet.

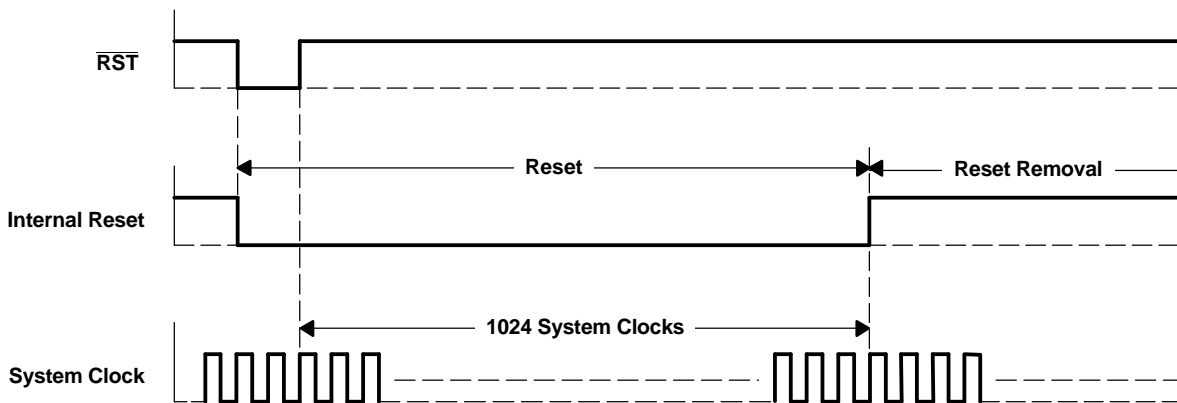
During the reset period (1024 system clocks), the analog outputs are forced to the bipolar zero level (or $V_{CC}/2$). After the reset period, the internal registers are initialized in the next $1/f_S$ period and, if SCKI, BCK, and LRCK are provided continuously, the PCM1608 provides proper analog output with the group delay time given in the *Electrical Characteristics* section of this data sheet.

The external reset is especially useful in applications where there is a delay between PCM1608 power-up and system-clock activation. In this case, the $\overline{\text{RST}}$ pin should be held at a logic-0 level until the system clock has been activated.



T0014-08

Figure 20. Power-On-Reset Timing



T0015-06

Figure 21. External Reset Timing

AUDIO SERIAL INTERFACE

The audio serial interface for the PCM1608 consists of a 5-wire synchronous serial port. It includes LRCK (pin 41), BCK (pin 40), DATA1 (pin 45), DATA2 (pin 46), DATA3 (pin 47), and DATA4 (pin 31). BCK is the serial audio bit clock, and is used to clock the serial data present on DATA1, DATA2, DATA3, and DATA4 into the audio interface serial shift register. Serial data is clocked into the PCM1608 on the rising edge of BCK. LRCK is the serial audio left/right word clock. It is used to latch serial data into the serial audio interface internal registers.

Both LRCK and BCK must be synchronous to the system clock. Ideally, it is recommended that LRCK and BCK be derived from the system clock input, SCKI. LRCK is operated at the sampling frequency (f_s). BCK can be operated at 32, 48, or 64 times the sampling frequency (I²S format does not support BCK = 32 f_s).

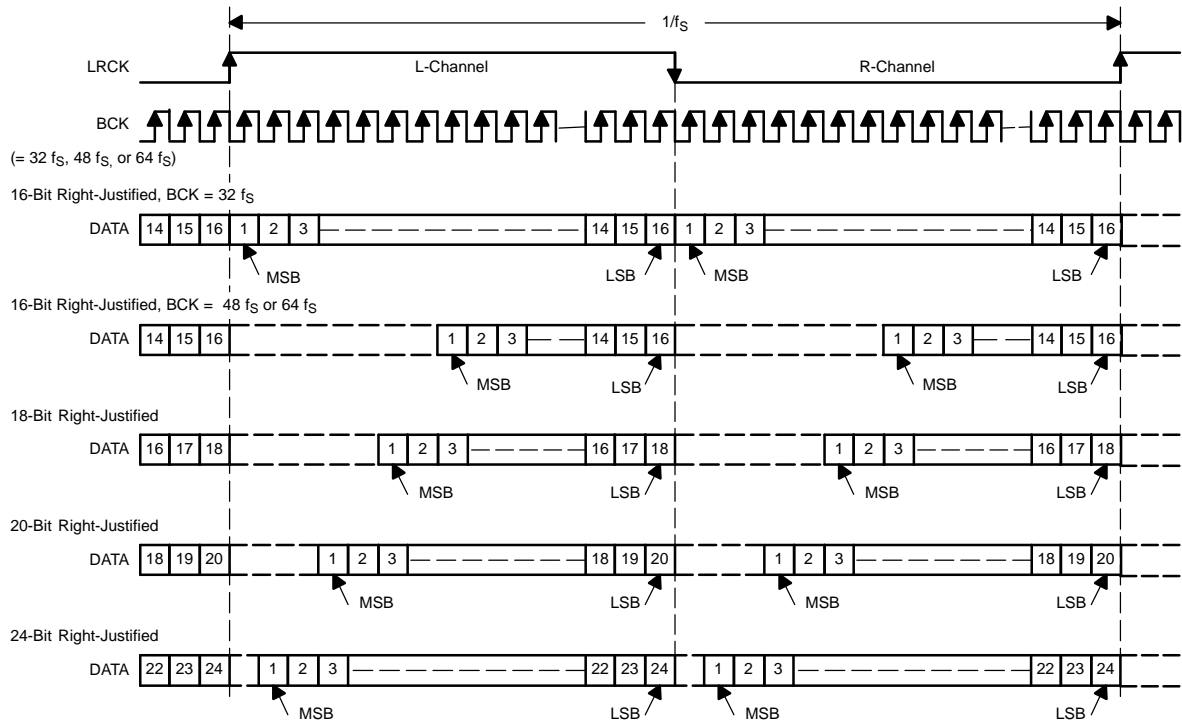
Internal operation of the PCM1608 is synchronized with LRCK. Accordingly, internal operation of the device is suspended when the sampling rate clock (LRCK) is changed, or when SCKI and/or BCK is interrupted at least for a 3-bit clock cycle. If SCKI, BCK, and LRCK are provided continuously after this suspended state, the internal operation is resynchronized automatically within a period of less than $3/f_s$. During this resynchronization period and for a $3/f_s$ time thereafter, the analog outputs are forced to the bipolar zero level, $V_{CC}/2$. External resetting is not required.

AUDIO DATA FORMATS AND TIMING

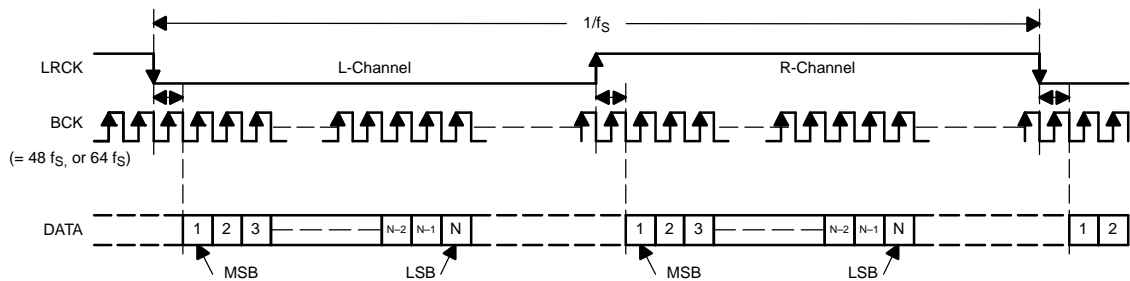
The PCM1608 supports industry-standard audio data formats, including standard, I²S, and left-justified (see [Figure 22](#)). Data formats are selected using the format bits, FMT[2:0], in register 9. The default data format is 24-bit standard. All formats require binary 2s complement, MSB-first audio data. See [Figure 23](#) for a detailed timing diagram of the serial audio interface.

DATA1, DATA2, DATA3, and DATA4 each carry two audio channels, designated as the left and right channels. The left-channel data always precedes the right-channel data in the serial data stream for all data formats. [Table 2](#) shows the mapping of the digital input data to the analog output pins.

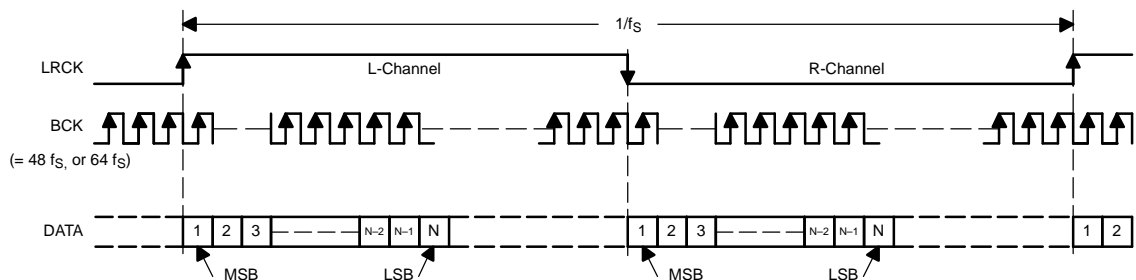
(1) Standard Data Format; L-Channel = HIGH, R-Channel = LOW



(2) I²S Data Format; L-Channel = LOW, R-Channel = HIGH

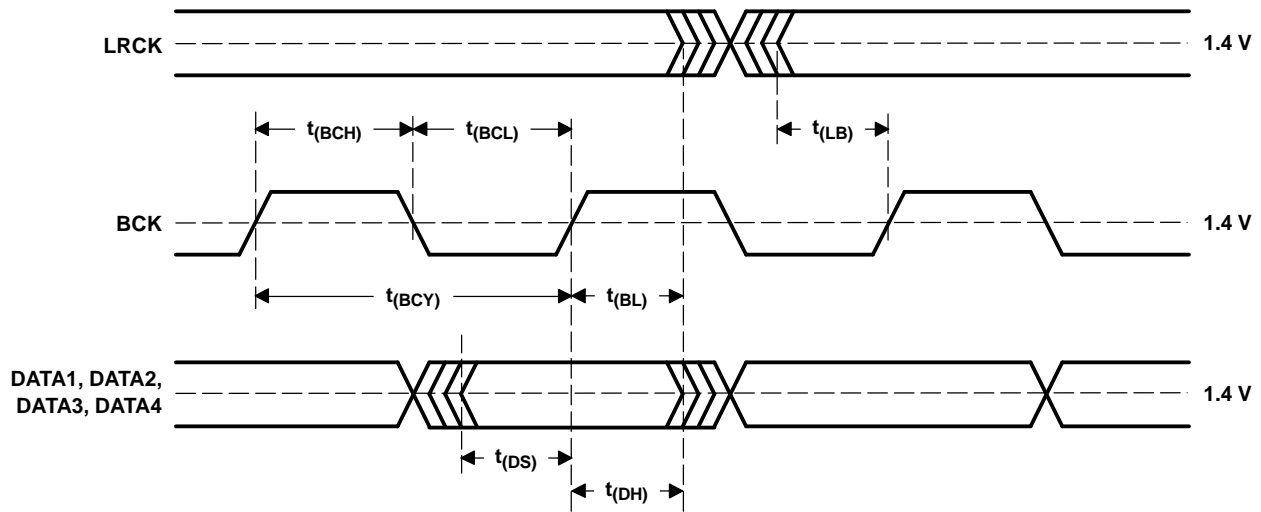


(3) Left-Justified Data Format; L-Channel = HIGH, R-Channel = LOW



T0009-05

Figure 22. Audio Data Input Formats



T0010-07

SYMBOL	PARAMETER	MIN	MAX	UNITS
$t_{(BCY)}$	BCK pulse cycle time	$1/(64 f_S)^{(1)}$		
$t_{(BCH)}$	BCK high-level time	35		ns
$t_{(BCL)}$	BCK low-level time	35		ns
$t_{(BL)}$	BCK rising edge to LRCK edge	10		ns
$t_{(LB)}$	LRCK falling edge to BCK rising edge	10		ns
$t_{(DS)}$	DATA setup time	10		ns
$t_{(DH)}$	DATA hold time	10		ns

(1) f_S is the sampling frequency (e.g., 44.1 kHz, 48 kHz, 96 kHz, etc.)

Figure 23. Audio Interface Timing

Table 2. Audio Input Data to Analog Output Mapping

DATA INPUT	CHANNEL	ANALOG OUTPUT
DATA1	Left	$V_{OUT1}^{(1)}$
DATA1	Right	$V_{OUT2}^{(1)}$
DATA2	Left	$V_{OUT3}^{(2)}$
DATA2	Right	$V_{OUT4}^{(2)}$
DATA3	Left	$V_{OUT5}^{(2)}$
DATA3	Right	$V_{OUT6}^{(2)}$
DATA4	Left	$V_{OUT7}^{(1)}$
DATA4	Right	$V_{OUT8}^{(1)}$

(1) Up to 192 kHz

(2) Up to 96 kHz, forced to bipolar zero when $f_S = 192$ kHz.

SERIAL CONTROL INTERFACE

The serial control interface is a 4-wire synchronous serial port that operates asynchronously to the serial audio interface. The serial control interface is used to program and read the on-chip mode registers. The control interface includes MDO (pin 33), MDI (pin 34), MC (pin 35), and ML (pin 36). MDO is the serial data output, used to read back the values of the mode registers; MDI is the serial data input, used to program the mode registers; MC is the serial bit clock, used to shift data in and out of the control port; and ML is the control port latch clock.

REGISTER WRITE OPERATION

All write operations for the serial control port use 16-bit data words. Figure 24 shows the control data word format. The most significant bit is the read/write (R/\overline{W}) bit. When set to 0, this bit indicates a write operation. Seven bits, labeled $IDX[6:0]$, set the register index (or address) for the write operation. The least significant eight bits, $D[7:0]$, contain the data to be written to the register specified by $IDX[6:0]$.

Figure 25 shows the functional timing diagram for writing to the serial control port. ML is held at a logic-1 state until a register is to be written. To start the register write cycle, ML is set to logic-0. Sixteen clocks are then provided on MC, corresponding to the 16 bits of the control data word on MDI. After the sixteenth clock cycle has completed, ML is set to logic-1 to latch the data into the indexed mode control register.



Figure 24. Control Data Word Format for MDI

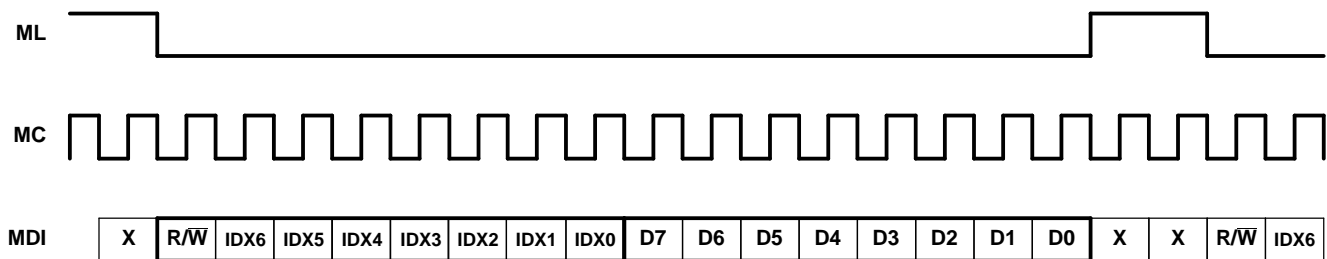
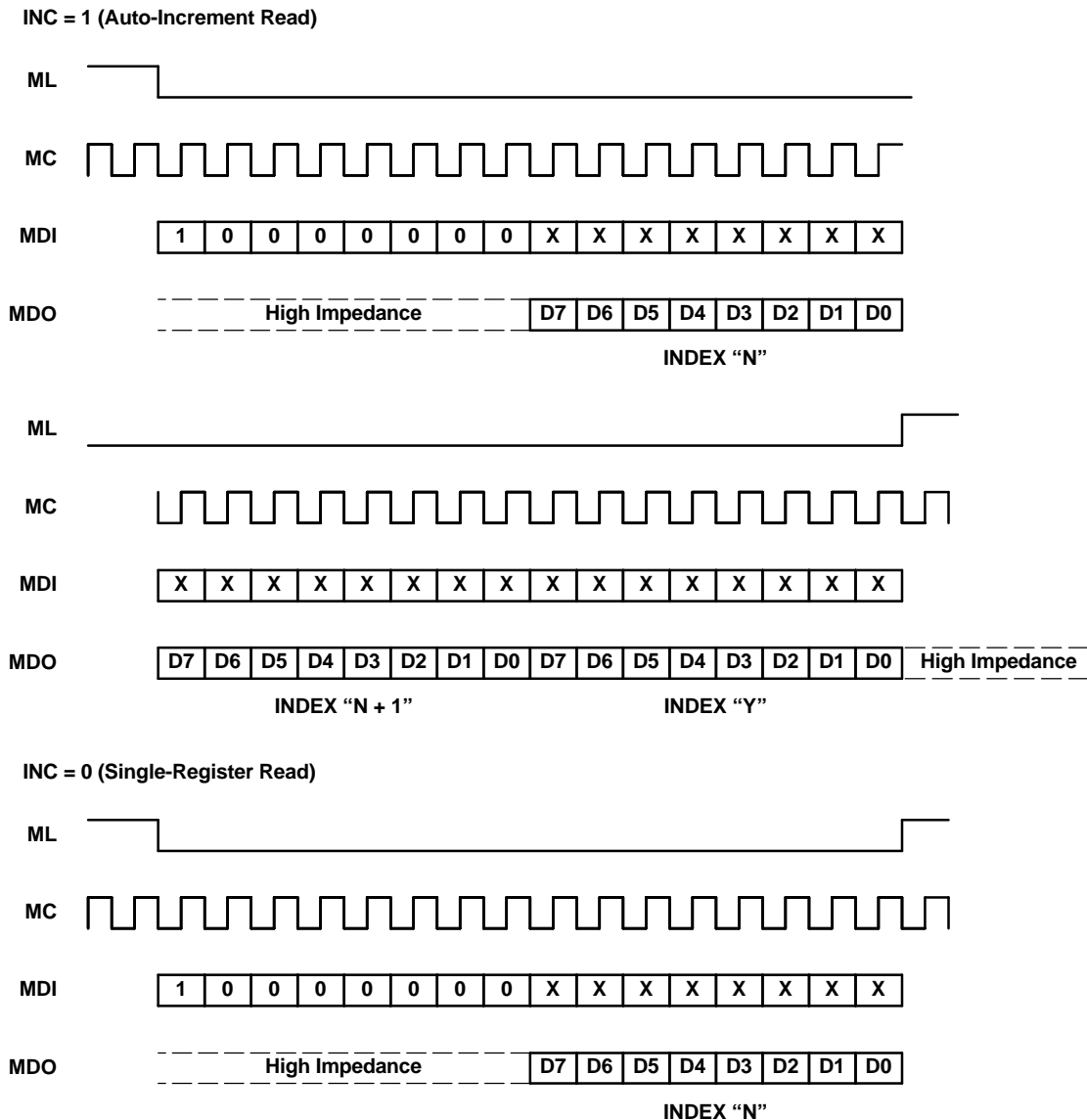


Figure 25. Write Operation Timing

SINGLE REGISTER READ OPERATION

Read operations use the 16-bit control word format shown in Figure 24. For read operations, the R/\overline{W} bit is set to 1. Read operations ignore the index bits, $IDX[6:0]$, of the control data word. Instead, the $REG[6:0]$ bits in control register 11 are used to set the index of the register that is to be read during the read operation. Bits $IDX[6:0]$ should be set to 00h for read operations.

The details of the read operation are shown in Figure 26. First, control register 11 must be written with the index of the register to be read back. Additionally, the INC bit must be set to logic-0 in order to disable the auto-increment read function. The read cycle is then initiated by setting ML to logic-0 and setting the R/\overline{W} bit of the control data word to logic-1, indicating a read operation. MDO remains in a high-impedance state until the last eight bits of the 16-bit read cycle, which correspond to the eight data bits of the register indexed by the $REG[6:0]$ bits of control register 11. The read cycle is completed when ML is set to 1, immediately after the MC clock cycle for the least-significant bit of the indexed control register has completed.



T0075-01

NOTES: X = Don't care

Y = Last register to be read

In single-register read (INC = 0), the index which indicates the register to be read in read operation can be set by REG[6:0] in register 11. For example, setting REG[6:0] = 000 1001b means reading from register 9.

In auto-increment read (INC = 1), the index REG[6:0] indicates the first register to be read. For example, setting REG[6:0] = 000 1001b means reading registers from 9 to Y. Y is determined by the low-to-high transition of ML in serial mode control.

Figure 26. Read Operation Timing

AUTO-INCREMENT READ OPERATION

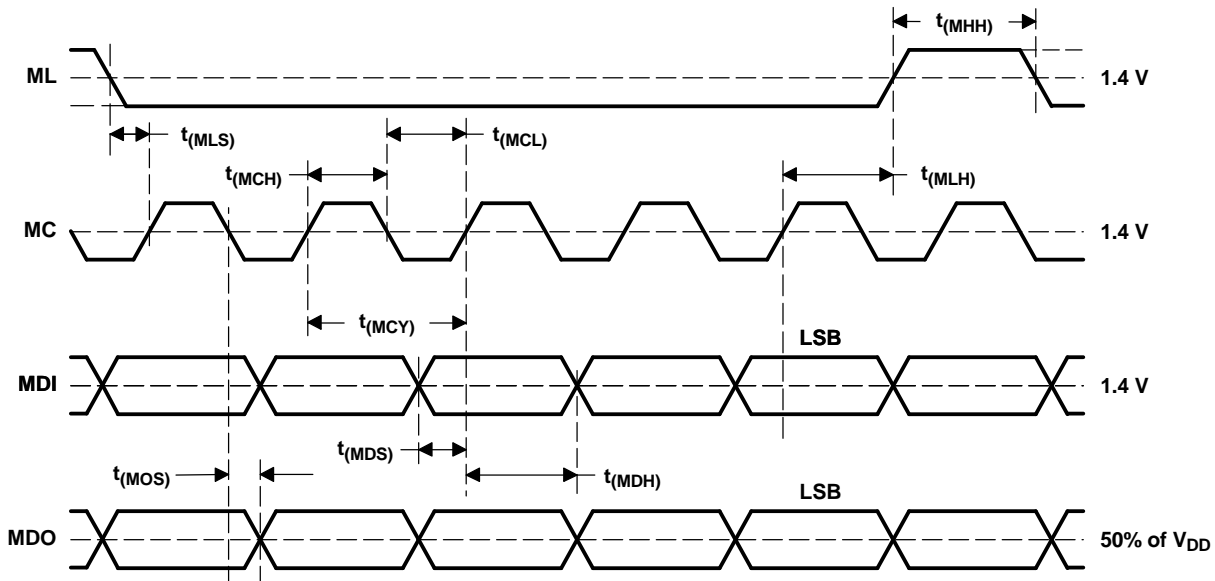
The auto-increment read function allows for multiple registers to be read sequentially. The auto-increment read function is enabled by setting the INC bit of control register 11 to 1. The sequence always starts with the register indexed by the REG[6:0] bits in control register 11, and ends by the ML setting to 1 after MC clock cycle for the least-significant bit of last register.

Figure 26 shows the timing of the auto-increment read operation. The operation begins by writing control register 11, setting INC to 1, and setting REG[6:0] to the first register to be read in the sequence. The actual read operation starts on the next HIGH-to-LOW transition of the ML pin.

The read cycle starts by setting the R/\overline{W} bit of the control word to 1, and setting all of the IDX[6:0] bits to 0. All subsequent bits input on MDI are ignored while ML is set to 0. For the first eight clocks of the read cycle, MDO is set to the high-impedance state. This is followed by a sequence of 8-bit words, each corresponding to the data contained in control registers N through Y, where N is defined by the REG[6:0] bits in control register 11, and where Y is the last register to be read. The read cycle is completed when ML is set to 1, immediately after the MC clock cycle for the least-significant bit of the last register has completed. If ML is held low and the MC clock continues beyond the last physical register (register 19), the read operation returns to control register 1 and subsequent control registers, continuing until ML is set to 1.

CONTROL INTERFACE TIMING REQUIREMENTS

Figure 27 shows a detailed timing diagram for the serial control interface. Pay special attention to the setup and hold times, as well as $t_{(MLS)}$ and $t_{(MLH)}$, which define minimum delays between the edges of the ML and MC clocks. These timing parameters are critical for proper control-port operation.



T0013-05

SYMBOL	PARAMETER	MIN	MAX	UNITS
$t_{(MCY)}$	MC pulse cycle time	100		ns
$t_{(MCL)}$	MC low-level time	50		ns
$t_{(MCH)}$	MC high-level time	50		ns
$t_{(MHH)}$	ML high-level time	300		ns
$t_{(MLS)}$	ML falling edge to MC rising edge	20		ns
$t_{(MLH)}$	ML hold time ⁽¹⁾	20		ns
$t_{(MDH)}$	MDI hold time	15		ns
$t_{(MDS)}$	MDL setup time	20		ns
$t_{(MOS)}$	MC falling edge to MDO stable		30	ns

(1) MC rising edge for LSB to ML rising edge.

Figure 27. Control Interface Timing

MODE CONTROL REGISTERS

User-Programmable Mode Controls

The PCM1608 includes a number of user-programmable functions that are accessed via control registers. The registers are programmed using the serial control interface that is previously discussed in this data sheet. [Table 3](#) lists the available mode control functions, along with their reset default conditions and associated register index.

Table 3. User-Programmable Mode Controls

FUNCTION	RESET DEFAULT	CONTROL REGISTER	BIT(S), INDEX
Digital attenuation control, 0 dB to –63 dB in 0.5-dB steps	0 dB, no attenuation	1 through 6, 16, 17	AT1[7:0], AT2[7:0], AT3[7:0], AT4[7:0], AT5[7:0], AT6[7:0], AT7[7:0], AT8[7:0]
Soft mute control	Mute disabled	7, 18	MUT[8:1]
DAC1–DAC8 operation control	DAC1–DAC8 enabled	8, 19	DAC[8:1]
Audio data format control	24-bit standard format	9	FMT[2:0]
Digital filter rolloff control	Sharp rolloff	9	FLT
SCKO frequency selection	Full rate (= f_{SCKI})	9	CLKD
SCKO output enable	SCKO enabled	9	CLKE
De-emphasis all-channel function control	De-emphasis, all channels disabled	10	DMC
De-emphasis all-channel sample rate selection	44.1 kHz	10	DMF[1:0]
Output phase select	Normal phase	10	DREV
Zero-flag polarity select	High	10	ZREV
Read-register index control	REG[6:0] = 01h	11	REG[6:0]
Read auto-increment control	Auto-increment disabled	11	INC
General-purpose output enable	Zero-flag enabled	12	GPOE
General-purpose output bits (GPO1–GPO6)	Disabled	12	GPO[6:1]
Oversampling rate control	64x	12	OVER

Reserved Registers

Registers 00h and 0Dh through 0Fh are reserved for factory use. To ensure proper operation, the user should not write to or read from these registers.

Register Map

The mode control register map is shown in Table 4. Each register includes an R/W bit that determines whether a register read ($R/\overline{W} = 1$) or write ($R/\overline{W} = 0$) operation is performed. Each register also includes an index (or address) indicated by the IDX[6:0] bits.

Table 4. Mode Control Register Map

IDX (B14–B8)	REGISTER	B15	B14	B13	B12	B11	B10	B9	B8	B7	B6	B5	B4	B3	B2	B1	B0
01h	1	R/W	IDX6	IDX5	IDX4	IDX3	IDX2	IDX1	IDX0	AT17	AT16	AT15	AT14	AT13	AT12	AT11	AT10
02h	2	R/W	IDX6	IDX5	IDX4	IDX3	IDX2	IDX1	IDX0	AT27	AT26	AT25	AT24	AT23	AT22	AT21	AT20
03h	3	R/W	IDX6	IDX5	IDX4	IDX3	IDX2	IDX1	IDX0	AT37	AT36	AT35	AT34	AT33	AT32	AT31	AT30
04h	4	R/W	IDX6	IDX5	IDX4	IDX3	IDX2	IDX1	IDX0	AT47	AT46	AT45	AT44	AT43	AT42	AT41	AT40
05h	5	R/W	IDX6	IDX5	IDX4	IDX3	IDX2	IDX1	IDX0	AT57	AT56	AT55	AT54	AT53	AT52	AT51	AT50
06h	6	R/W	IDX6	IDX5	IDX4	IDX3	IDX2	IDX1	IDX0	AT67	AT66	AT65	AT64	AT63	AT62	AT61	AT60
07h	7	R/W	IDX6	IDX5	IDX4	IDX3	IDX2	IDX1	IDX0	RSV ⁽¹⁾	RSV ⁽¹⁾	MUT6	MUT5	MUT4	MUT3	MUT2	MUT1
08h	8	R/W	IDX6	IDX5	IDX4	IDX3	IDX2	IDX1	IDX0	RSV ⁽¹⁾	RSV ⁽¹⁾	DAC6	DAC5	DAC4	DAC3	DAC2	DAC1
09h	9	R/W	IDX6	IDX5	IDX4	IDX3	IDX2	IDX1	IDX0	RSV ⁽¹⁾	RSV ⁽¹⁾	FLT	CLKD	CLKE	FMT2	FMT1	FMT0
0Ah	10	R/W	IDX6	IDX5	IDX4	IDX3	IDX2	IDX1	IDX0	RSV ⁽¹⁾	ZREV	DREV	DMF1	DMF0	DMC	DMC	DMC
0Bh	11	R/W	IDX6	IDX5	IDX4	IDX3	IDX2	IDX1	IDX0	INC	REG6	REG5	REG4	REG3	REG2	REG1	REG0
0Ch	12	R/W	IDX6	IDX5	IDX4	IDX3	IDX2	IDX1	IDX0	OVER	GPOE	GPO6	GPO5	GPO4	GPO3	GPO2	GPO1
10h	16	R/W	IDX6	IDX5	IDX4	IDX3	IDX2	IDX1	IDX0	AT77	AT76	AT75	AT74	AT73	AT72	AT71	AT70
11h	17	R/W	IDX6	IDX5	IDX4	IDX3	IDX2	IDX1	IDX0	AT87	AT86	AT85	AT84	AT83	AT82	AT81	AT80
12h	18	R/W	IDX6	IDX5	IDX4	IDX3	IDX2	IDX1	IDX0	RSV ⁽¹⁾	RSV ⁽¹⁾	RSV ⁽¹⁾	RSV ⁽¹⁾	RSV ⁽¹⁾	RSV ⁽¹⁾	MUT8	MUT7
13h	19	R/W	IDX6	IDX5	IDX4	IDX3	IDX2	IDX1	IDX0	RSV ⁽¹⁾	RSV ⁽¹⁾	RSV ⁽¹⁾	RSV ⁽¹⁾	RSV ⁽¹⁾	RSV ⁽¹⁾	DAC8	DAC7

(1) Reserved for test operation. It should be set to 0 during normal operation.

REGISTER DEFINITIONS

	B15	B14	B13	B12	B11	B10	B9	B8	B7	B6	B5	B4	B3	B2	B1	B0
REGISTER 1	R/W	IDX6	IDX5	IDX4	IDX3	IDX2	IDX1	IDX0	AT17	AT16	AT15	AT14	AT13	AT12	AT11	AT10
REGISTER 2	R/W	IDX6	IDX5	IDX4	IDX3	IDX2	IDX1	IDX0	AT27	AT26	AT25	AT24	AT23	AT22	AT21	AT20
REGISTER 3	R/W	IDX6	IDX5	IDX4	IDX3	IDX2	IDX1	IDX0	AT37	AT36	AT35	AT34	AT33	AT32	AT31	AT30
REGISTER 4	R/W	IDX6	IDX5	IDX4	IDX3	IDX2	IDX1	IDX0	AT47	AT46	AT45	AT44	AT43	AT42	AT41	AT40
REGISTER 5	R/W	IDX6	IDX5	IDX4	IDX3	IDX2	IDX1	IDX0	AT57	AT56	AT55	AT54	AT53	AT52	AT51	AT50
REGISTER 6	R/W	IDX6	IDX5	IDX4	IDX3	IDX2	IDX1	IDX0	AT67	AT66	AT65	AT64	AT63	AT62	AT61	AT60
REGISTER 16	R/W	IDX6	IDX5	IDX4	IDX3	IDX2	IDX1	IDX0	AT77	AT76	AT75	AT74	AT73	AT72	AT71	AT70
REGISTER 17	R/W	IDX6	IDX5	IDX4	IDX3	IDX2	IDX1	IDX0	AT87	AT86	AT85	AT84	AT83	AT82	AT81	AT80

R/W – Read/Write Mode Select

When $R/\overline{W} = 0$, a write operation is performed.

When $R/\overline{W} = 1$, a read operation is performed.

Default value: 0

ATx[7:0] – Digital Attenuation Level Setting

where x = 1 through 8, corresponding to the DAC output V_{OUTx} .

These bits are read/write.

Default value: 1111 1111b

Each DAC output, V_{OUT1} through V_{OUT8} , includes a digital attenuator function. The attenuation level can be set from 0 dB to –63 dB in 0.5-dB steps. Changes in attenuation levels are made by incrementing or decrementing by one step (0.5 dB) for every $8/f_s$ time interval until the programmed attenuator setting is reached. Alternatively, the attenuation level can be set to infinite attenuation, or mute.

The attenuation level is calculated using the following formula:

$$\text{Attenuation level (dB)} = 0.5 (\text{ATx}[7:0]_{\text{DEC}} - 255)$$

where $\text{ATx}[7:0]_{\text{DEC}} = 0$ through 255.

For $\text{ATx}[7:0]_{\text{DEC}} = 0$ through 128, the attenuator is set to infinite attenuation.

The following table shows attenuation levels for various settings.

ATx[7:0]	DECIMAL VALUE	ATTENUATOR LEVEL SETTING
1111 1111b	255	0 dB, no attenuation (default)
1111 1110b	254	–0.5 dB
1111 1101b	253	–1 dB
:	:	:
1000 0011b	131	–62 dB
1000 0010b	130	–62.5 dB
1000 0001b	129	–63 dB
1000 0000b	128	Mute
:	:	:
0000 0000b	0	Mute

	B15	B14	B13	B12	B11	B10	B9	B8	B7	B6	B5	B4	B3	B2	B1	B0
REGISTER 7	R/W	IDX6	IDX5	IDX4	IDX3	IDX2	IDX1	IDX0	RSV	RSV	MUT6	MUT5	MUT4	MUT3	MUT2	MUT1
REGISTER 18	R/W	IDX6	IDX5	IDX4	IDX3	IDX2	IDX1	IDX0	RSV	RSV	RSV	RSV	RSV	RSV	MUT8	MUT7

R/W – Read/Write Mode Select

When $R/\overline{W} = 0$, a write operation is performed.

When $R/\overline{W} = 1$, a read operation is performed.

Default value: 0

MUTx – Soft Mute Control

Where x = 1 through 8, corresponding to the DAC output V_{OUTx} .

These bits are read/write.

Default value: 0

MUTx = 0	Mute disabled (default)
MUTx = 1	Mute enabled

The mute bits, MUT1 through MUT8, are used to enable or disable the soft mute function for the corresponding DAC outputs, V_{OUT1} through V_{OUT8} . The soft mute function is incorporated into the digital attenuators. When mute is disabled ($MUTx = 0$), the attenuator and DAC operate normally. When mute is enabled by setting $MUTx = 1$, the digital attenuator for the corresponding output is decreased from the current setting to the infinite attenuation setting, one attenuator step (0.5 dB) at a time. This provides a quiet, pop-free muting of the DAC output. On returning from soft mute, by setting $MUTx = 0$, the attenuator is increased one step at a time to the previously programmed attenuation level.

	B15	B14	B13	B12	B11	B10	B9	B8	B7	B6	B5	B4	B3	B2	B1	B0
REGISTER 8	R/W	IDX6	IDX5	IDX4	IDX3	IDX2	IDX1	IDX0	RSV	RSV	DAC6	DAC5	DAC4	DAC3	DAC2	DAC1
REGISTER 19	R/W	IDX6	IDX5	IDX4	IDX3	IDX2	IDX1	IDX0	RSV	RSV	RSV	RSV	RSV	RSV	DAC8	DAC7

R/W – Read/Write Mode Select

When $R/\overline{W} = 0$, a write operation is performed.

When $R/\overline{W} = 1$, a read operation is performed.

Default value: 0

DACx – DAC Operation Control

Where x = 1 through 8, corresponding to the DAC output V_{OUTx} .

These bits are read/write.

Default value: 0

DACx = 0	DAC operation enabled (default)
DACx = 1	DAC operation disabled

The DAC operation controls are used to enable and disable the DAC outputs, V_{OUT1} through V_{OUT8} . When $DACx = 0$, the output amplifier input is connected to the DAC output. When $DACx = 1$, the output amplifier input is switched to the dc common-mode voltage (V_{COM}), equal to $V_{CC}/2$.

	B15	B14	B13	B12	B11	B10	B9	B8	B7	B6	B5	B4	B3	B2	B1	B0
REGISTER 9	R/W	IDX6	IDX5	IDX4	IDX3	IDX2	IDX1	IDX0	RSV	RSV	FLT	CLKD	CLKE	FMT2	FMT1	FMT0

R/W – Read/Write Mode Select

When $R/\overline{W} = 0$, a write operation is performed.

When $R/\overline{W} = 1$, a read operation is performed.

Default value: 0

FLT – Digital Filter Rolloff Control

This bit is read/write.

Default value: 0

FLT = 0	Sharp rolloff (default)
FLT = 1	Slow rolloff

The FLT bit allows users to select the digital filter rolloff that is best suited to their application. Two filter rolloff selections are available: sharp or slow. The filter responses for these selections are shown in the *Typical Performance Curves* section of this data sheet.

CLKD – SCKO Frequency Selection

This bit is read/write.

Default value: 0

CLKD = 0	Full-rate, $f_{SCKO} = f_{SCKI}$ (default)
CLKD = 1	Half-rate, $f_{SCKO} = f_{SCKI}/2$

The CLKD bit is used to determine the clock frequency at the system clock output pin, SCKO.

CLKE – SCKO Output Enable

This bit is read/write.

Default value: 0

CLKE = 0	SCKO enabled (default)
CLKE = 1	SCKO disabled

The CLKE bit is used to enable or disable the system clock output pin, SCKO. When SCKO is enabled, it outputs either a full- or half-rate clock, based on the setting of the CLKD bit. When SCKO is disabled, it is set to a LOW level.

FMT[2:0] – Audio Interface Data Format

These bits are read/write.

Default value: 000b

FMT[2:0]	Audio Data Format Selection
000	24-bit standard format, right-justified data (default)
001	20-bit standard format, right-justified data
010	18-bit standard format, right-justified data
011	16-bit standard format, right-justified data
100	I ² S format, 16- to 24-bit
101	Left-justified format, 16- to 24-bit
110	Reserved
111	Reserved

The FMT[2:0] bits are used to select the data format for the serial audio interface.

	B15	B14	B13	B12	B11	B10	B9	B8	B7	B6	B5	B4	B3	B2	B1	B0
REGISTER 10	R/W	IDX6	IDX5	IDX4	IDX3	IDX2	IDX1	IDX0	RSV	ZREV	DREV	DMF1	DMF0	DMC	DMC	DMC

R/W – Read/Write Mode Select

When $R/\overline{W} = 0$, a write operation is performed.

When $R/\overline{W} = 1$, a read operation is performed.

Default value: 0

ZREV – Zero-Flag Polarity Select

Default value: 0

ZREV = 0	Zero-flag pins HIGH at a zero detect (default)
ZREV = 1	Zero-flag pins LOW at a zero detect

The ZREV bit allows the user to select the polarity of zero-flag pins.

DREV – Output Phase Select

Default value: 0

DREV = 0	Normal output (default)
DREV = 1	Inverted output

The DREV bit allows the user to select the phase of analog output signal.

DMF[1:0] – Sampling Frequency Selection for the De-Emphasis Function

These bits are read/write.

Default value: 00b

DMF[1:0]	De-Emphasis Sample Rate Selection
00	44.1 kHz (default)
01	48 kHz
10	32 kHz
11	Reserved

The DMF[1:0] bits are used to select the sampling frequency used for the digital de-emphasis function when it is enabled. The de-emphasis curves are shown in the *Typical Performance Curves* section of this data sheet. The preceding table shows the available sampling frequencies.

DMC – Digital De-Emphasis, All-Channel Function Control

This bit is read/write.

Default value: 0

DMC = 0	De-emphasis disabled for all channels (default)
DMC = 1	De-emphasis enabled for all channels

The DMC bits are used to enable or disable the de-emphasis function for all channels. The three DMC bits are ORed together. Setting any one DMC bit, any combination of two DMC bits, or all three DMC bits to 1 enables digital de-emphasis for all channels. Setting all three DMC bits to 0 disables digital de-emphasis for all channels.

	B15	B14	B13	B12	B11	B10	B9	B8	B7	B6	B5	B4	B3	B2	B1	B0
REGISTER 11	R/W	IDX6	IDX5	IDX4	IDX3	IDX2	IDX1	IDX0	INC	REG6	REG5	REG4	REG3	REG2	REG1	REG0

R/W – Read/Write Mode Select

When $R/\overline{W} = 0$, a write operation is performed.

When $R/\overline{W} = 1$, a read operation is performed.

Default value: 0

INC – Auto-Increment Read Control

This bit is read/write.

Default value: 0

INC = 0	Auto-increment read disabled (default)
INC = 1	Auto-increment read enabled

The INC bit is used to enable or disable the auto-increment read feature of the serial control interface. See the *Serial Control Interface* section of this data sheet for details regarding auto-increment read operation.

REG[6:0] – Read Register Index

These bits are read/write.

Default value: 01h

The REG[6:0] bits are used to set the index of the register to be read when performing the single-register read operation. In the case of an auto-increment read operation, the REG[6:0] bits indicate the index of the last register to be read in the auto-increment read sequence. For example, if registers 1 through 6 are to be read during an auto-increment read operation, the REG[6:0] bits would be set to 06h. See the *Serial Control Interface* section of this data sheet for details regarding the single-register and auto-increment read operations.

	B15	B14	B13	B12	B11	B10	B9	B8	B7	B6	B5	B4	B3	B2	B1	B0
REGISTER 12	R/W	IDX6	IDX5	IDX4	IDX3	IDX2	IDX1	IDX0	OVER	GPOE	GPO6	GPO5	GPO4	GPO3	GPO2	GPO1

R/W – Read/Write Mode Select

When R/W = 0, a write operation is performed.

When R/W = 1, a read operation is performed.

Default value: 0

OVER – Oversampling Rate Control

This bit is read/write.

Default value: 0

System clock rate = 256 f_S, 384 f_S, 512 f_S, or 768 f_S:

OVER = 0	64× oversampling (default)
OVER = 1	128× oversampling

System clock rate = 128 f_S or 192 f_S:

OVER = 0	32× oversampling (default)
OVER = 1	64× oversampling

The OVER bit is used to control the oversampling rate of the delta-sigma DACs. The OVER = 1 setting is recommended when the oversampling rate is 192 kHz (system clock rate is 128 f_S or 192 f_S).

GPOE – General-Purpose Output Enable

This bit is read/write.

Default value: 0

GPOE = 0	General-purpose outputs disabled (default) Pins default to zero-flag function (ZERO1 through ZERO6).
GPOE = 1	General-purpose outputs enabled Data written to GPO1 through GPO6 appears at the corresponding pins.

GPOx – General-Purpose Logic Output

Where: x = 1 through 6, corresponding pins GPO1 through GPO6.

These bits are read/write.

Default value: 0

GPOx = 0	Set GPOx to 0 (default)
GPOx = 1	Set GPOx to 1

The general-purpose output pins, GPO1 through GPO6, are enabled by setting GPOE = 1. These pins are used as general-purpose outputs for controlling user-defined logic functions. When general-purpose outputs are disabled (GPOE = 0), they default to the zero-flag function, ZERO1 through ZERO6.

ANALOG OUTPUTS

The PCM1608 includes eight independent output channels, V_{OUT1} through V_{OUT8} . These are unbalanced outputs, each capable of driving 3.1 Vp-p typical into a 5-k Ω ac load with $V_{CC} = 5$ V. The internal output amplifiers for V_{OUT1} through V_{OUT8} are dc-biased to the common-mode (or bipolar zero) voltage, equal to $V_{CC}/2$.

The output amplifiers include an RC continuous-time filter, which helps to reduce the out-of-band noise energy present at the DAC outputs due to the noise-shaping characteristics of the PCM1608 delta-sigma DACs. The frequency response of this filter is shown in Figure 28. By itself, this filter is not enough to attenuate the out-of-band noise to an acceptable level for most applications. An external low-pass filter is required to provide sufficient out-of-band noise rejection. Further discussion of DAC post-filter circuits is provided in the *Application Information* section of this data sheet.

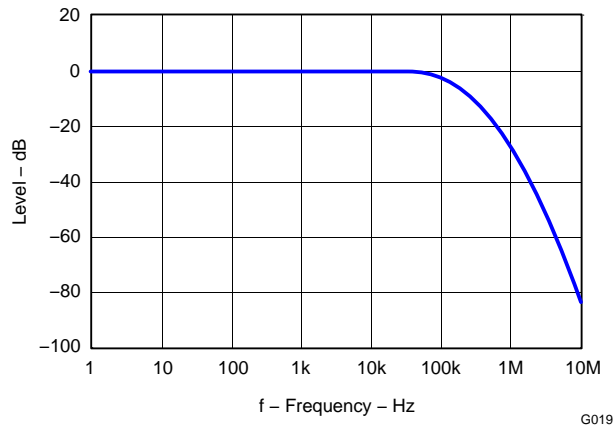


Figure 28. Output-Filter Frequency Response

V_{COM} OUTPUT

One unbuffered, common-mode voltage output pin, V_{COM} (pin 15), is brought out for decoupling purposes. This pin is nominally biased to a dc voltage level equal to $V_{CC}/2$. If this pin is to be used to bias external circuitry, a voltage follower is required for buffering purposes. Figure 29 shows an example of using the V_{COM} pin for external biasing applications.

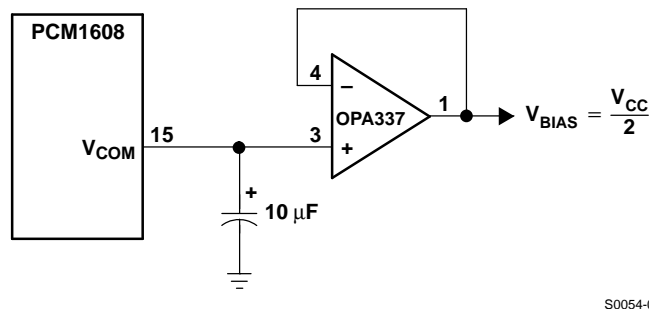


Figure 29. Biasing External Circuits Using the V_{COM} Pin

ZERO FLAG

Zero-Detect Condition

Zero detection for each output channel is independent from the others. If the data for a given channel remains at a 0 level for 1024 sample periods (or LRCK clock periods), a zero-detect condition exists for that channel.

Zero Output Flags

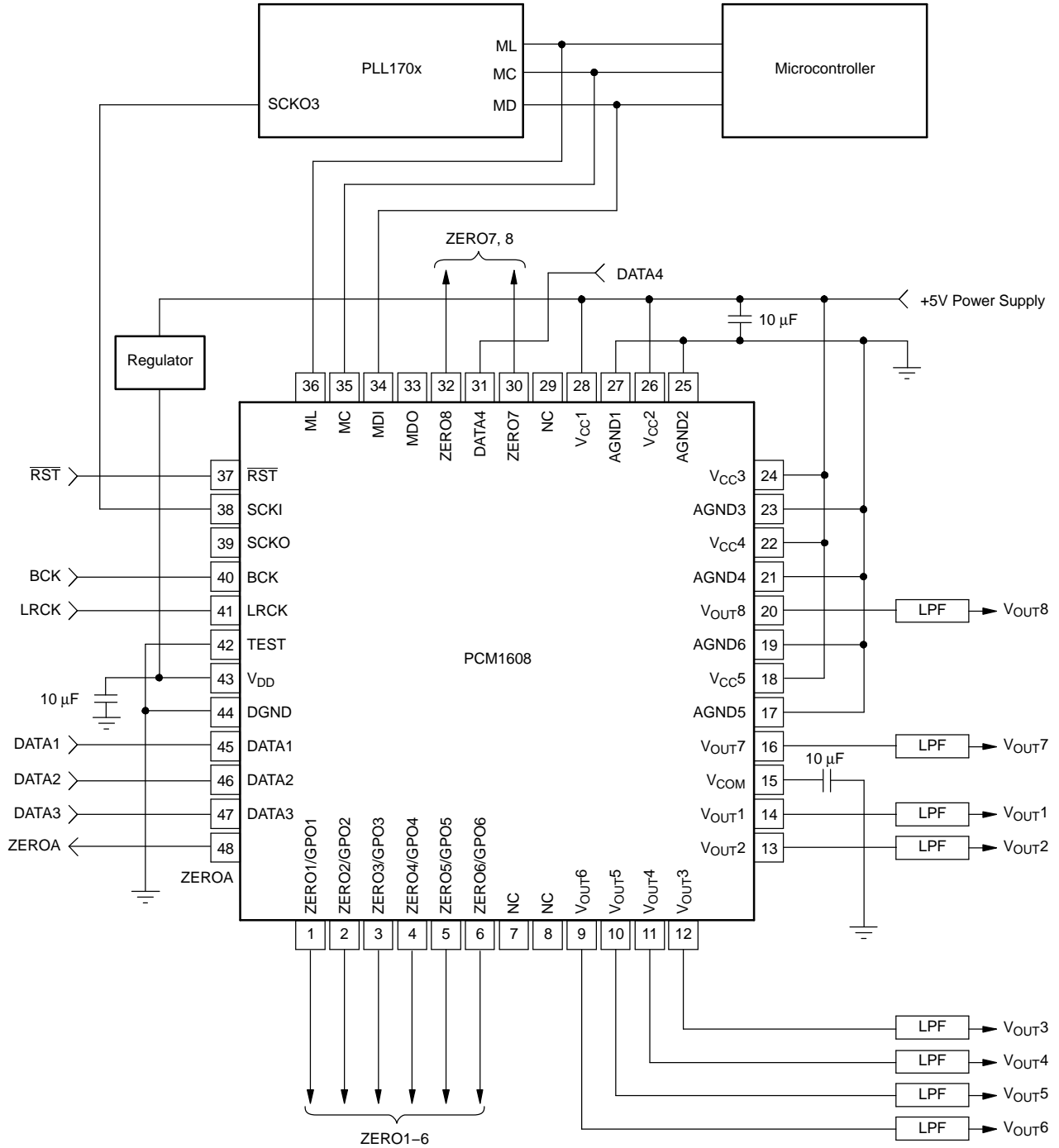
Given that a zero-detect condition exists for one or more channels, the zero-flag pins for those channels are set to a logic-1 state. Each channel, ZERO1 through ZERO6 (pins 1 through 6), ZERO7 (pin 30), and ZERO8 (pin 32), has zero-flag pins. In addition, all eight zero flags are logically ANDed together, and the result is provided at the ZEROA pin (pin 48), which is set to a logic-1 state when all channels indicate a zero-detect condition. The zero-flag pins can be used to operate external mute circuits. ZERO1 through ZERO6 can be used as status indicators for a microcontroller, audio signal processor, or other digitally controlled function.

The active polarity of the zero-flag output can be inverted by setting to 1 the ZREV bit of control register 10. The reset default is active-high output, or ZREV = 0.

APPLICATION INFORMATION

CONNECTION DIAGRAMS

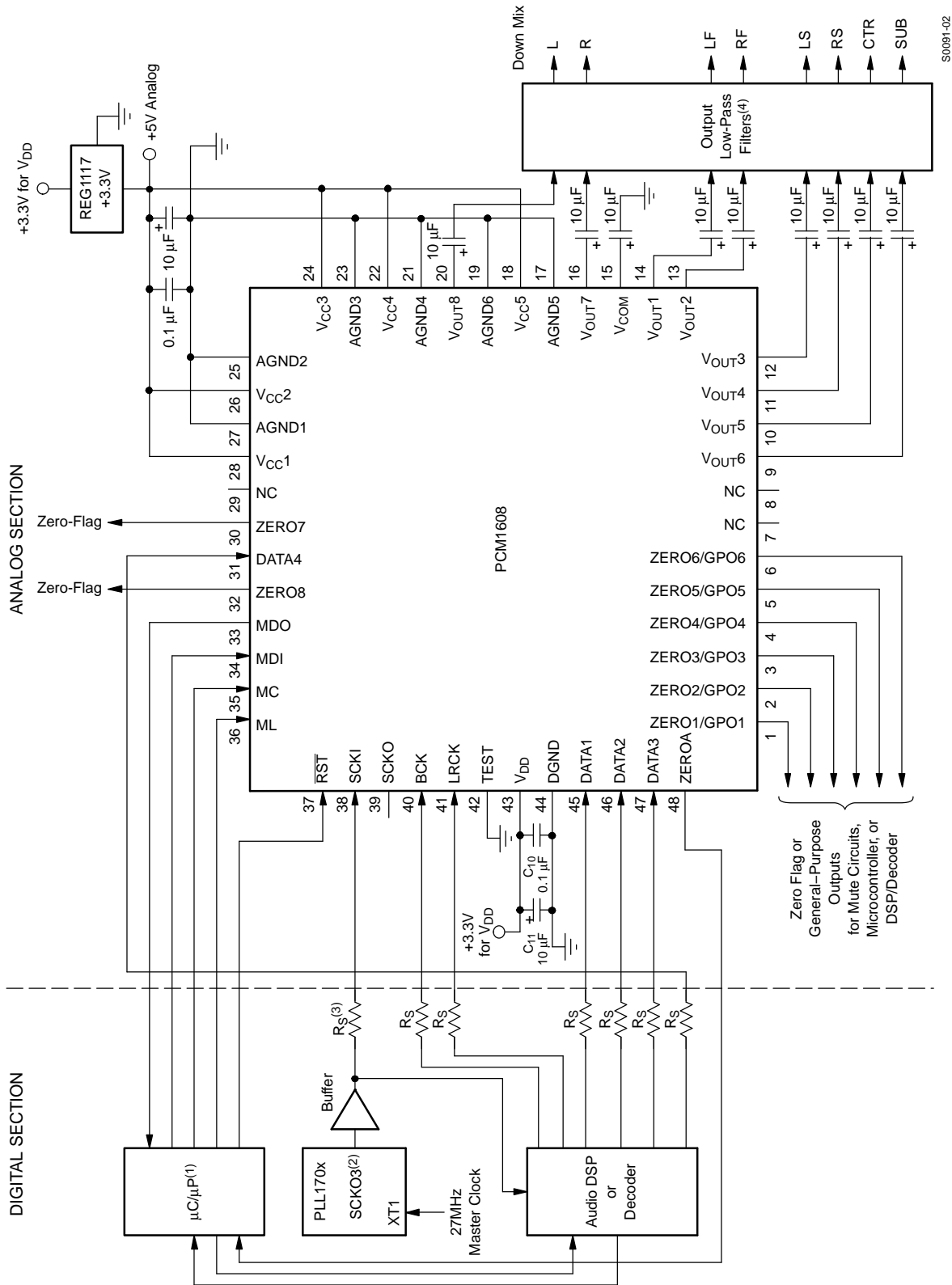
A basic connection diagram with the necessary power-supply bypassing and decoupling components is shown in Figure 30. Texas Instruments recommends using the component values shown in Figure 30 for all designs.



S0090-02

Figure 30. Basic Connection Diagram

APPLICATION INFORMATION (continued)



- (1) Serial control and reset functions can be provided by DSP/decoder GPIO pins.
- (2) Actual clock output used is determined by the application.

APPLICATION INFORMATION (continued)

- (3) $R_S = 22\ \Omega$ to $100\ \Omega$.
- (4) See the *Application Information* section of this data sheet for more information.

Figure 31. Typical Application Diagram

A typical application diagram is shown in [Figure 31](#). The REG1117-3.3 from Texas Instruments is used to generate 3.3 V for V_{DD} from the 5-V analog power supply. The PLL170x from Texas Instruments is used to generate the system clock input at SCKI, as well as generating the clock for the audio signal processor.

Series resistors ($22\text{-}\Omega$ to $100\text{-}\Omega$) are recommended for SCKI, LRCK, BCK, DATA1, DATA2, DATA3, and DATA4. The series resistor combines with the stray PCB and device input capacitance to form a low-pass filter which removes high-frequency noise from the digital signal, thus reducing high-frequency emission.

POWER SUPPLIES AND GROUNDING

The PCM1608 requires a 5-V analog supply and a 3.3-V digital supply. The 5-V supply is used to power the DAC analog and output filter circuitry, whereas the 3.3-V supply is used to power the digital filter and serial interface circuitry. For best performance, the 3.3-V supply should be derived from the 5-V supply using a linear regulator (see [Figure 31](#)).

Two capacitors are required for supply bypassing (see [Figure 30](#)). These capacitors should be located as close as possible to the PCM1608 package. The $10\text{-}\mu\text{F}$ capacitors should be tantalum or aluminum electrolytic, whereas the $0.1\text{-}\mu\text{F}$ capacitors are ceramic (X7R type is recommended for surface-mount applications).

DAC OUTPUT FILTER CIRCUITS

Delta-sigma DACs use noise-shaping techniques to improve in-band signal-to-noise ratio (SNR) performance at the expense of generating increased out-of-band noise above the Nyquist frequency, or $f_S/2$. The out-of-band noise must be low-pass filtered in order to provide optimal converter performance. This is accomplished by a combination of on-chip and external low-pass filtering.

[Figure 32](#) and [Figure 33](#) show the recommended external low-pass active filter circuits for dual- and single-supply applications. These circuits are second-order Butterworth filters using the multiple feedback (MFB) circuit arrangement, which reduces sensitivity to passive component variations over frequency and temperature. For more information regarding MFB active filter design, see the *FilterPro™ MFB and Sallen-Key Low-Pass Filter Design Program* application report ([SBFA001](#)), available from the TI Web site (www.ti.com).

Because the overall system performance is defined by the quality of the DACs and their associated analog output circuitry, high-quality audio operational amplifiers are recommended for the active filters. The OPA2134 and OPA2353 dual operational amplifiers from Texas Instruments are shown in [Figure 32](#) and [Figure 33](#), and are recommended for use with the PCM1608.

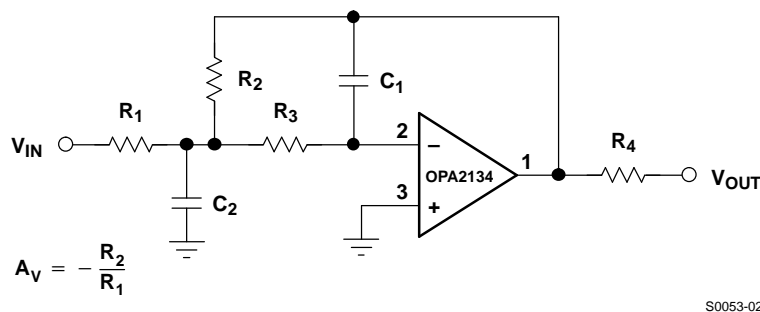
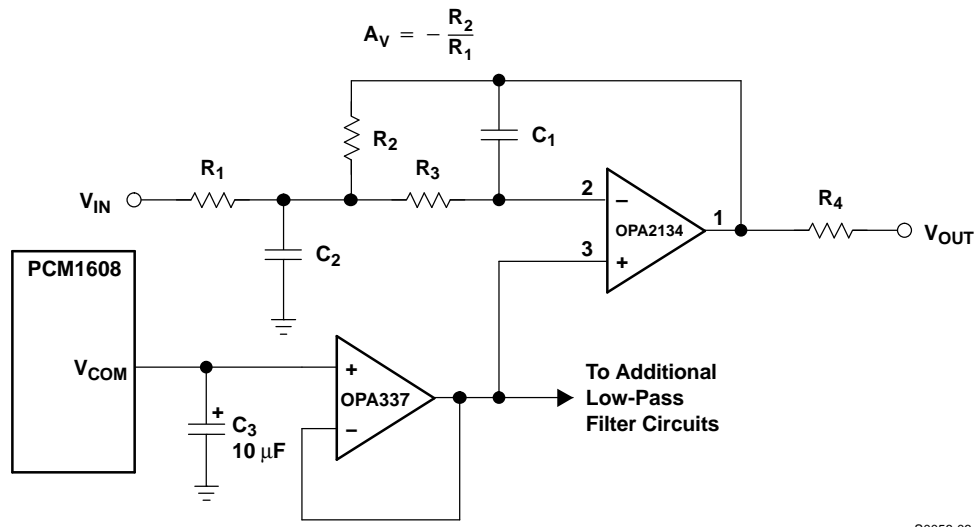


Figure 32. Dual-Supply Filter Circuit

APPLICATION INFORMATION (continued)

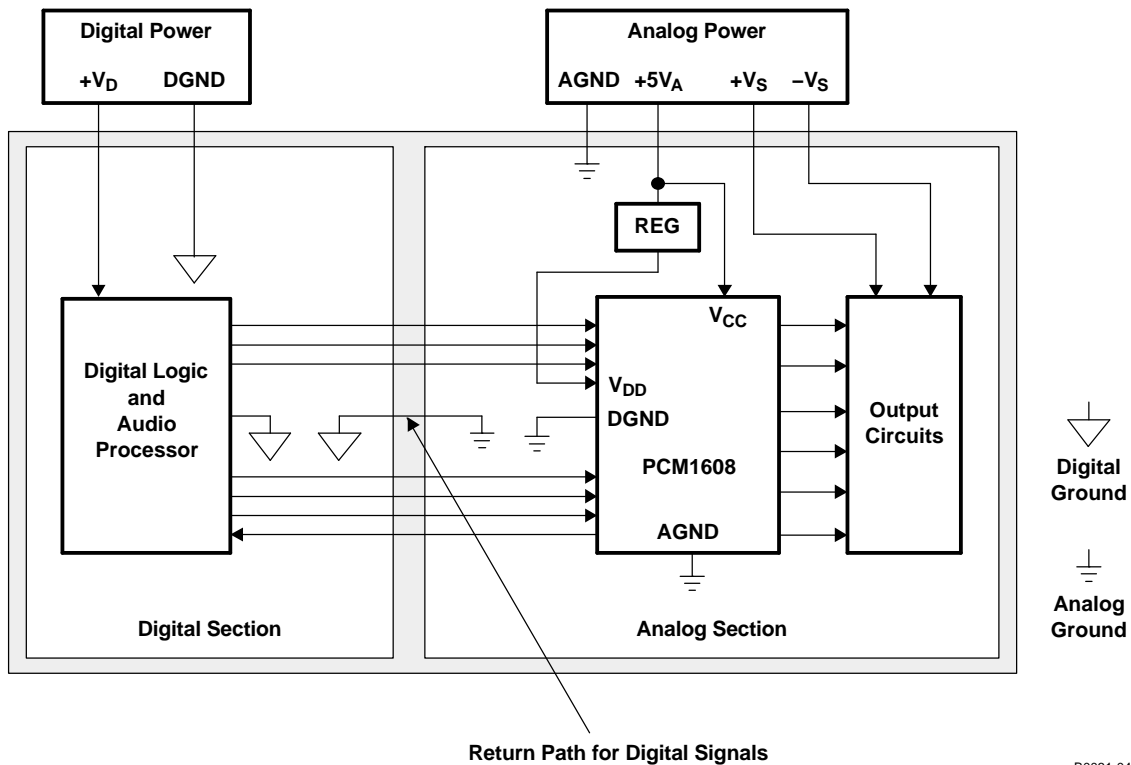


S0056-03

Figure 33. Single-Supply Filter Circuit

PCB LAYOUT GUIDELINES

A typical PCB floor plan for the PCM1608 is shown in [Figure 34](#). A ground plane is recommended, with the analog and digital sections being isolated from one another using a split or cut in the circuit board. The PCM1608 should be oriented with the digital I/O pins facing the ground plane split/cut to allow for short, direct connections to the digital audio interface and control signals originating from the digital section of the board.



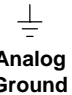
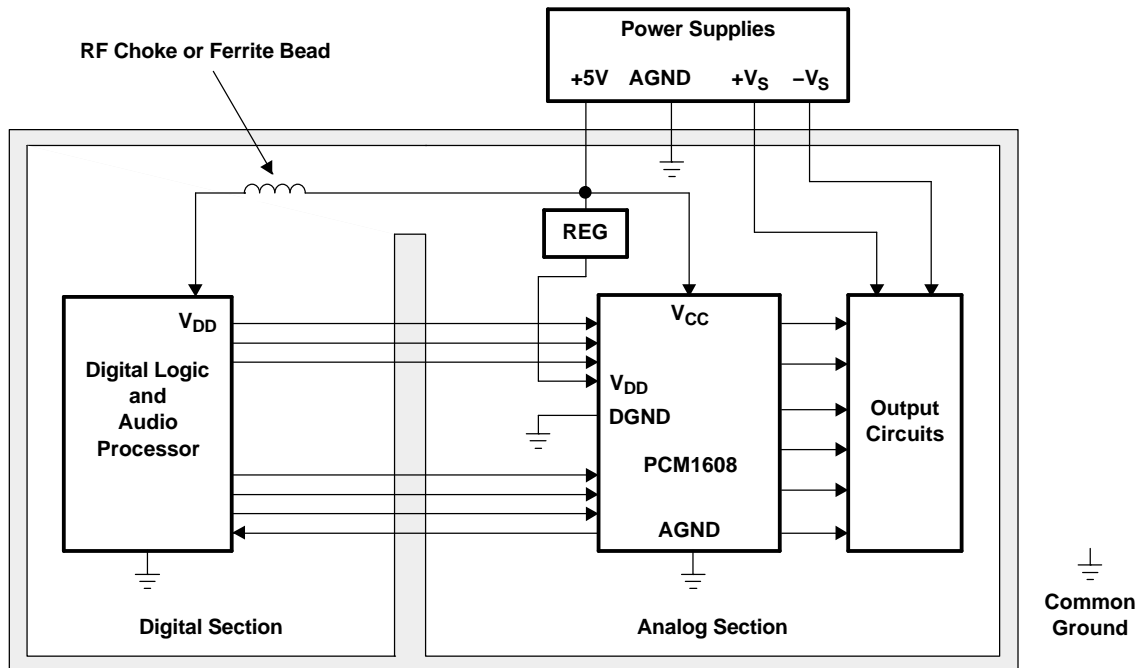
 Digital Ground
 Analog Ground

Figure 34. Recommended PCB Layout

B0031-04

PCB LAYOUT GUIDELINES (continued)

Separate power supplies are recommended for the digital and analog sections of the board. This prevents the switching noise present on the digital supply from contaminating the analog power supply and degrading the dynamic performance of the DACs. In cases where a common 5-V supply must be used for the analog and digital sections, an inductance (RF choke, ferrite bead) should be placed between the analog and digital 5-V supply connections to avoid coupling of the digital switching noise into the analog circuitry. Figure 35 shows the recommended approach for single-supply applications.

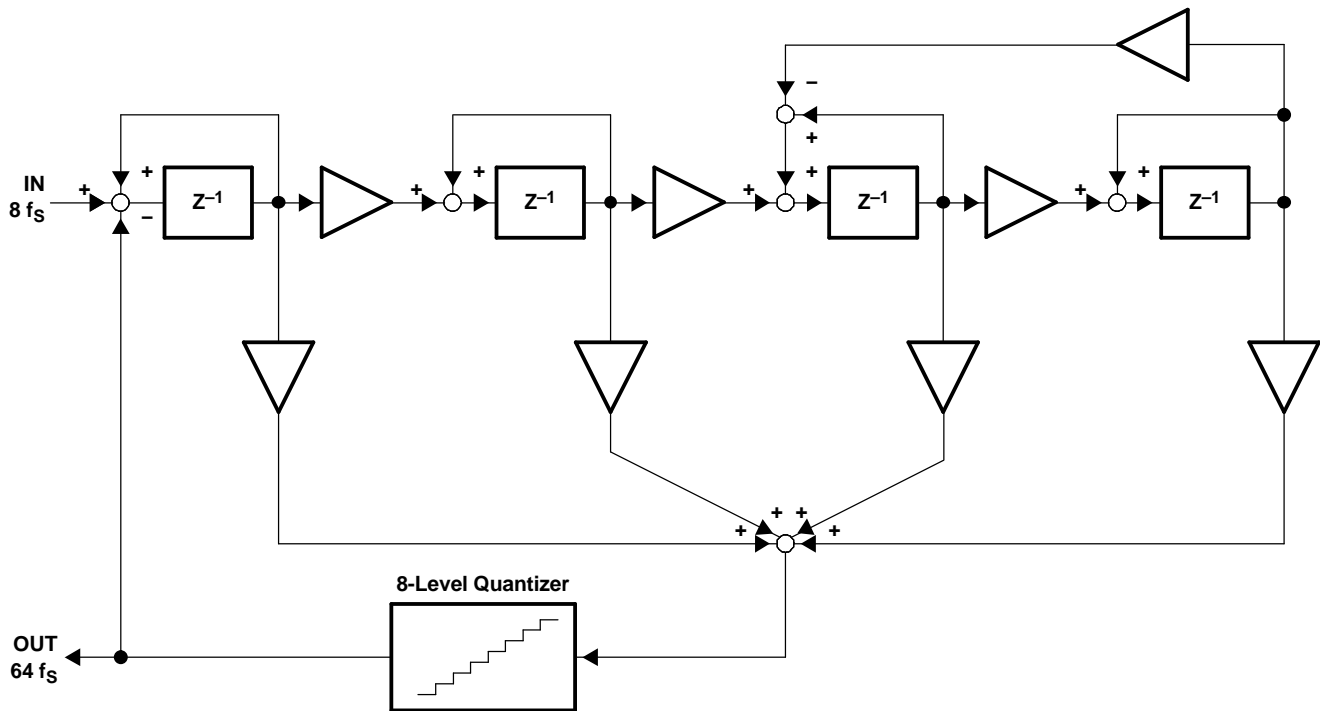


B0032-04

Figure 35. Single-Supply PCB Layout

THEORY OF OPERATION

The DAC section of the PCM1608 is based on a multi-bit delta-sigma architecture. This architecture uses a fourth-order noise shaper and an 8-level amplitude quantizer, followed by an analog low-pass filter. A block diagram of the delta-sigma modulator is shown in Figure 36. This architecture has the advantage of stability and improved jitter tolerance, when compared to traditional 1-bit (2-level) delta-sigma designs.



B0008-03

Figure 36. Eight-Level Delta-Sigma Modulator

The combined oversampling rate of the digital interpolation filter and the delta-sigma modulator is $32 f_s$, $64 f_s$, or $128 f_s$. The total oversampling rate is determined by the desired sampling frequency. If $f_s \leq 96$ kHz, then the OVER bit in register 12 can be set to an oversampling rate of $64 f_s$ or $128 f_s$. If $f_s > 96$ kHz, then the OVER bit can be used to set the oversampling rate to $32 f_s$ or $64 f_s$. Figure 37 shows the out-of-band quantization-noise plots for both the $64\times$ and $128\times$ oversampling scenarios. Notice that the $128\times$ oversampling plot shows significantly improved out-of-band noise performance, allowing for a simplified low-pass filter to be used at the output of the DAC.

THEORY OF OPERATION (continued)

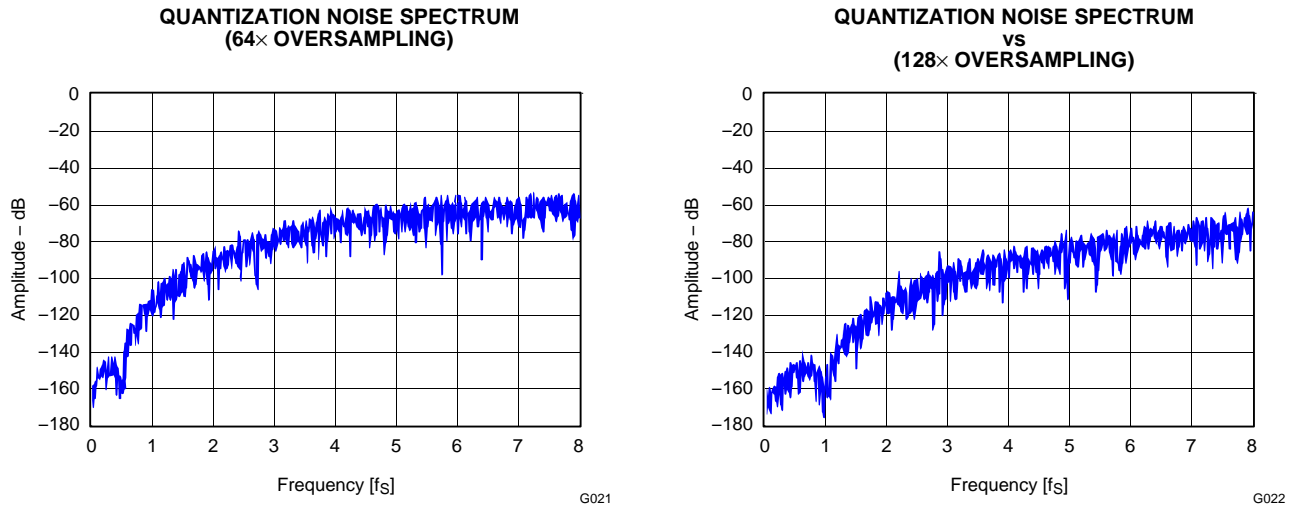


Figure 37. Quantization-Noise Spectrum

Figure 38 illustrates the simulated jitter sensitivity of the PCM1608. To achieve best performance, the system clock jitter should be less than 300 picoseconds. This is easily achieved using a quality clock generation IC, like the PLL170x from Texas Instruments.

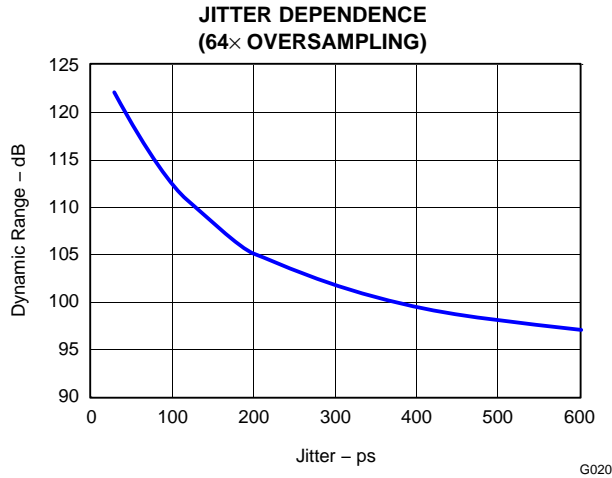


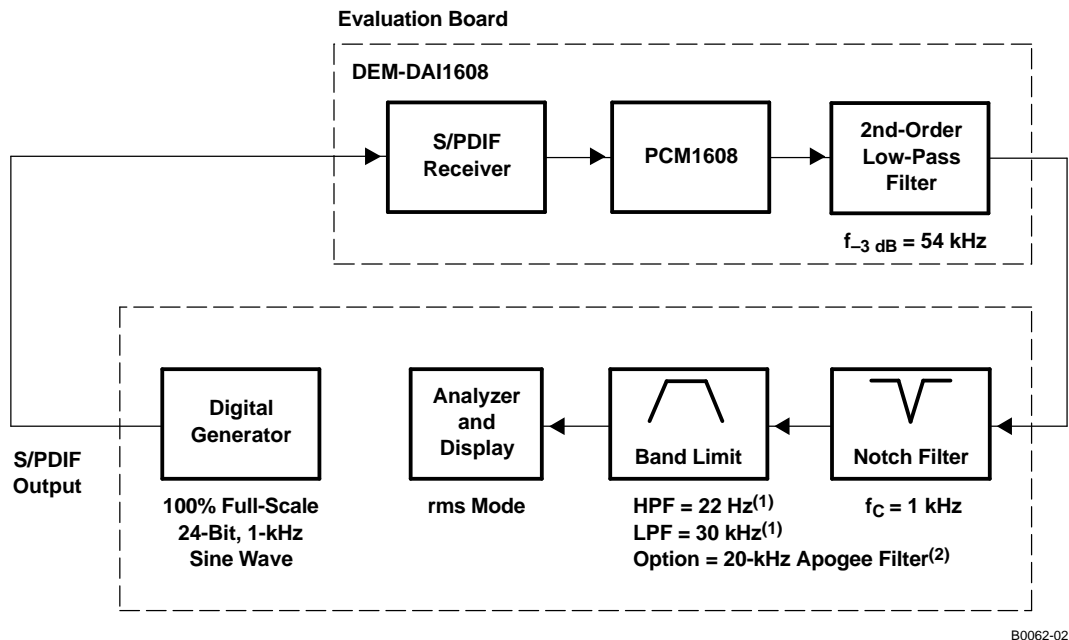
Figure 38. Jitter Sensitivity

KEY PERFORMANCE PARAMETERS AND MEASUREMENT

This section provides information on how to measure key dynamic performance parameters for the PCM1608. In all cases, a System Two Cascade audio measurement system by Audio Precision or equivalent is used to perform the testing.

TOTAL HARMONIC DISTORTION + NOISE

Total harmonic distortion + noise (THD+N) is a significant figure of merit for audio DACs, because it takes into account both harmonic distortion and all noise sources within a specified measurement bandwidth. The true rms value of the distortion and noise is referred to as THD+N. The test setup for THD+N measurements is shown in Figure 39.



- (1) There is little difference in measured THD+N when using the various settings for these filters.
 (2) Required for THD+N test

Figure 39. Test Setup for THD+N Measurements

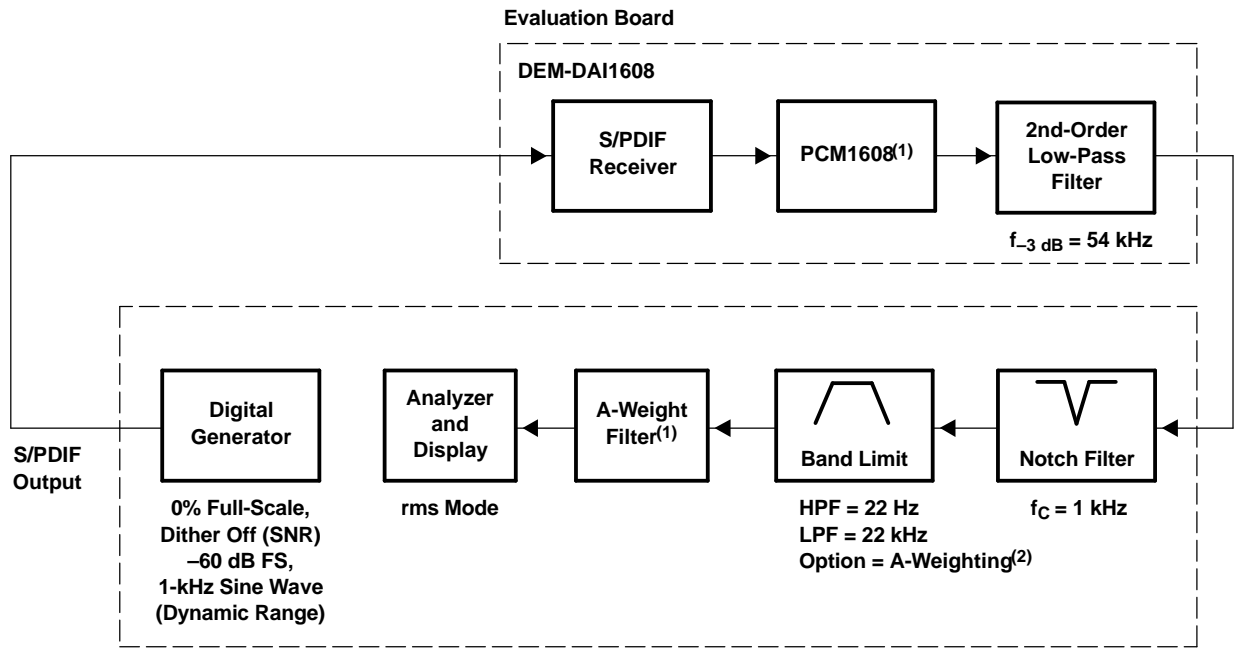
For the PCM1608 DACs, THD+N is measured with a full-scale, 1-kHz digital sine wave as the test stimulus at the input of the DAC. The digital generator is set to a 24-bit audio word length and a sampling frequency of 44.1 kHz or 96 kHz. The digital generator output is taken from the unbalanced S/PDIF connector of the measurement system. The S/PDIF data is transmitted via coaxial cable to the digital audio receiver on the DEM-DAI1602 demonstration board. The receiver is then configured to output 24-bit data in either I²S or left-justified data format. The DAC audio interface format is programmed to match the receiver output format. The analog output is then taken from the DAC post filter and connected to the analog analyzer input of the measurement system. The analog input is band-limited, using filters resident in the analyzer. The resulting THD+N is measured by the analyzer and displayed by the measurement system.

DYNAMIC RANGE

Dynamic range is specified as A-weighted THD+N measured with a –60-dBFS, 1-kHz digital sine wave stimulus at the input of the DAC. This measurement is designed to give a good indication of how the DAC performs, given a low-level input signal.

The measurement setup for the dynamic range measurement is shown in Figure 40, and is similar to the THD+N test setup discussed previously. The differences include the band-limit filter selection, the additional A-weighting filter, and the –60-dBFS input level.

KEY PERFORMANCE PARAMETERS AND MEASUREMENT (continued)



B0063-02

- (1) Infinite-zero-detect mute disabled
- (2) Results without A-weighting are approximately 3 dB worse.

Figure 40. Test Setup for Dynamic Range and SNR Measurements

IDLE-CHANNEL SIGNAL-TO-NOISE RATIO

The SNR test provides a measure of the noise of the DAC. The input to the DAC is in all-0s data, and the DAC infinite-zero-detect mute function must be disabled (default condition at power up for the PCM1608). This ensures that the delta-sigma modulator output is connected to the output amplifier circuit so that idle tones (if present) can be observed at the output. The dither function of the digital signal generator must also be disabled to ensure an all-0s data stream at the input of the DAC.

The measurement setup for SNR is identical to that used for dynamic range, with the exception of the input signal level (see the notes provided in [Figure 40](#)).

Revision History

DATE	REV	PAGE	SECTION	DESCRIPTION
11 JUL 05	B	–	Global	Changed to new format
		2	Absolute Maximum Ratings	Changed values for power supply voltage, digital input voltage, lead temperature, and package temperature, added supply voltage difference, $V_{CC} - V_{DD} < 3 \text{ V}$.
		2	Recommended Operating Conditions	New table added to data sheet
		2	Package/Ordering Information	Table removed from page 2, reformatted, and inserted at end of data sheet.
		11, 12	Typical Performance Curves	In Figure 11 through Figure 18, corrected condition for 192 kHz.
		13	System Clock Input	In text, corrected register number from 9 to 8.
		15	Audio Serial Interface	In text, corrected clock numbers from "one clock cycle" to "3-bit clock cycle".
		16, 17	Audio Data Formats and Timing	In Figure 22, Audio Data Input Formats, removed $32\text{-}f_S$ availability from left-justified format, corrected relative relation between BCK and DATA. In Figure 23, Audio Interface Timing, corrected specification for BCK pulse cycle time, changed transition voltage.
		19, 20	Serial Control Interface	In Figure 26, Read Operation Timing, corrected index numbers for INC = 1 (auto-increment read) , corrected description of notes. In text, auto-increment read operation, corrected wrong descriptions and numbers so that it describes right operation along with Figure 26. In Figure 27, Control Interface Timing, corrected transition voltage.
		22	Mode Control Registers	In text, Reserved Registers, added description as reserved registers for register 00h and 0Dh to 0Fh. In table 4, Mode Control Register Map, removed row for register 00h.
24 MAY 01	A			Changes unknown
15 DEC 00	*	–	–	Original version

PACKAGING INFORMATION

Orderable Device	Status ⁽¹⁾	Package Type	Package Drawing	Pins	Package Qty	Eco Plan ⁽²⁾	Lead/Ball Finish	MSL Peak Temp ⁽³⁾
PCM1608KY	ACTIVE	LQFP	PT	48	250	Green (RoHS & no Sb/Br)	CU NIPDAU	Level-1-260C-UNLIM
PCM1608KY/2K	ACTIVE	LQFP	PT	48	2000	Green (RoHS & no Sb/Br)	CU NIPDAU	Level-1-260C-UNLIM
PCM1608KY/2KG4	ACTIVE	LQFP	PT	48	2000	Green (RoHS & no Sb/Br)	CU NIPDAU	Level-1-260C-UNLIM
PCM1608KYG4	ACTIVE	LQFP	PT	48	250	Green (RoHS & no Sb/Br)	CU NIPDAU	Level-1-260C-UNLIM
PCM1608Y	ACTIVE	LQFP	PT	48	250	Green (RoHS & no Sb/Br)	CU NIPDAU	Level-1-260C-UNLIM
PCM1608Y/2K	ACTIVE	LQFP	PT	48	2000	Green (RoHS & no Sb/Br)	CU NIPDAU	Level-1-260C-UNLIM
PCM1608Y/2KG4	ACTIVE	LQFP	PT	48	2000	Green (RoHS & no Sb/Br)	CU NIPDAU	Level-1-260C-UNLIM
PCM1608YG4	ACTIVE	LQFP	PT	48	250	Green (RoHS & no Sb/Br)	CU NIPDAU	Level-1-260C-UNLIM

⁽¹⁾ The marketing status values are defined as follows:

ACTIVE: Product device recommended for new designs.

LIFEBUY: TI has announced that the device will be discontinued, and a lifetime-buy period is in effect.

NRND: Not recommended for new designs. Device is in production to support existing customers, but TI does not recommend using this part in a new design.

PREVIEW: Device has been announced but is not in production. Samples may or may not be available.

OBSOLETE: TI has discontinued the production of the device.

⁽²⁾ Eco Plan - The planned eco-friendly classification: Pb-Free (RoHS), Pb-Free (RoHS Exempt), or Green (RoHS & no Sb/Br) - please check <http://www.ti.com/productcontent> for the latest availability information and additional product content details.

TBD: The Pb-Free/Green conversion plan has not been defined.

Pb-Free (RoHS): TI's terms "Lead-Free" or "Pb-Free" mean semiconductor products that are compatible with the current RoHS requirements for all 6 substances, including the requirement that lead not exceed 0.1% by weight in homogeneous materials. Where designed to be soldered at high temperatures, TI Pb-Free products are suitable for use in specified lead-free processes.

Pb-Free (RoHS Exempt): This component has a RoHS exemption for either 1) lead-based flip-chip solder bumps used between the die and package, or 2) lead-based die adhesive used between the die and leadframe. The component is otherwise considered Pb-Free (RoHS compatible) as defined above.

Green (RoHS & no Sb/Br): TI defines "Green" to mean Pb-Free (RoHS compatible), and free of Bromine (Br) and Antimony (Sb) based flame retardants (Br or Sb do not exceed 0.1% by weight in homogeneous material)

⁽³⁾ MSL, Peak Temp. -- The Moisture Sensitivity Level rating according to the JEDEC industry standard classifications, and peak solder temperature.

Important Information and Disclaimer: The information provided on this page represents TI's knowledge and belief as of the date that it is provided. TI bases its knowledge and belief on information provided by third parties, and makes no representation or warranty as to the accuracy of such information. Efforts are underway to better integrate information from third parties. TI has taken and continues to take reasonable steps to provide representative and accurate information but may not have conducted destructive testing or chemical analysis on incoming materials and chemicals. TI and TI suppliers consider certain information to be proprietary, and thus CAS numbers and other limited information may not be available for release.

In no event shall TI's liability arising out of such information exceed the total purchase price of the TI part(s) at issue in this document sold by TI to Customer on an annual basis.

TAPE AND REEL INFORMATION



QUADRANT ASSIGNMENTS FOR PIN 1 ORIENTATION IN TAPE



*All dimensions are nominal

Device	Package Type	Package Drawing	Pins	SPQ	Reel Diameter (mm)	Reel Width W1 (mm)	A0 (mm)	B0 (mm)	K0 (mm)	P1 (mm)	W (mm)	Pin1 Quadrant
PCM1608KY/2K	LQFP	PT	48	2000	330.0	16.4	9.6	9.6	1.9	12.0	16.0	Q1
PCM1608Y/2K	LQFP	PT	48	2000	330.0	16.4	9.6	9.6	1.9	12.0	16.0	Q1

TAPE AND REEL BOX DIMENSIONS

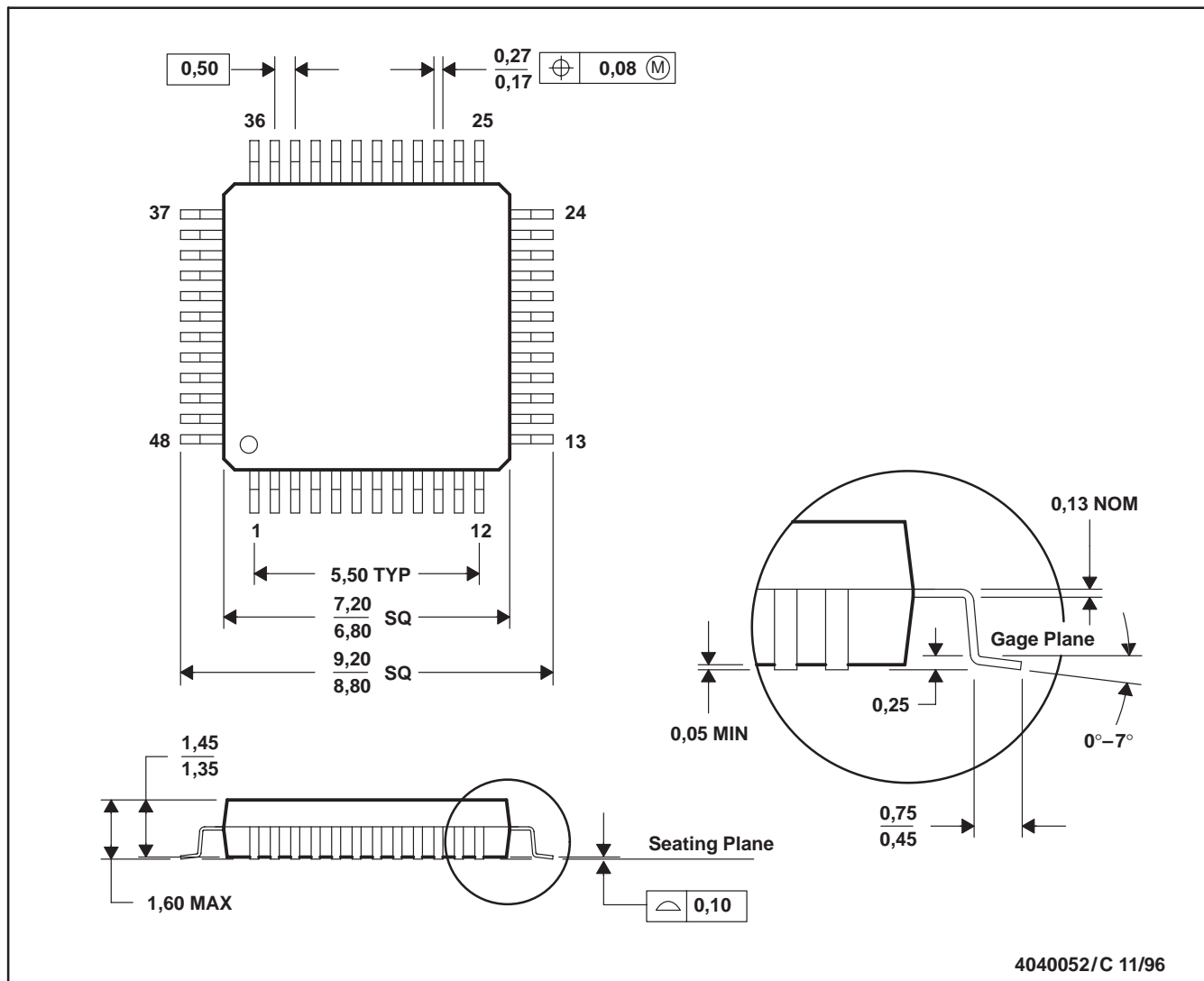


*All dimensions are nominal

Device	Package Type	Package Drawing	Pins	SPQ	Length (mm)	Width (mm)	Height (mm)
PCM1608KY/2K	LQFP	PT	48	2000	346.0	346.0	33.0
PCM1608Y/2K	LQFP	PT	48	2000	346.0	346.0	33.0

PT (S-PQFP-G48)

PLASTIC QUAD FLATPACK



- NOTES: A. All linear dimensions are in millimeters.
 B. This drawing is subject to change without notice.
 C. Falls within JEDEC MS-026
 D. This may also be a thermally enhanced plastic package with leads connected to the die pads.

IMPORTANT NOTICE

Texas Instruments Incorporated and its subsidiaries (TI) reserve the right to make corrections, modifications, enhancements, improvements, and other changes to its products and services at any time and to discontinue any product or service without notice. Customers should obtain the latest relevant information before placing orders and should verify that such information is current and complete. All products are sold subject to TI's terms and conditions of sale supplied at the time of order acknowledgment.

TI warrants performance of its hardware products to the specifications applicable at the time of sale in accordance with TI's standard warranty. Testing and other quality control techniques are used to the extent TI deems necessary to support this warranty. Except where mandated by government requirements, testing of all parameters of each product is not necessarily performed.

TI assumes no liability for applications assistance or customer product design. Customers are responsible for their products and applications using TI components. To minimize the risks associated with customer products and applications, customers should provide adequate design and operating safeguards.

TI does not warrant or represent that any license, either express or implied, is granted under any TI patent right, copyright, mask work right, or other TI intellectual property right relating to any combination, machine, or process in which TI products or services are used. Information published by TI regarding third-party products or services does not constitute a license from TI to use such products or services or a warranty or endorsement thereof. Use of such information may require a license from a third party under the patents or other intellectual property of the third party, or a license from TI under the patents or other intellectual property of TI.

Reproduction of TI information in TI data books or data sheets is permissible only if reproduction is without alteration and is accompanied by all associated warranties, conditions, limitations, and notices. Reproduction of this information with alteration is an unfair and deceptive business practice. TI is not responsible or liable for such altered documentation. Information of third parties may be subject to additional restrictions.

Resale of TI products or services with statements different from or beyond the parameters stated by TI for that product or service voids all express and any implied warranties for the associated TI product or service and is an unfair and deceptive business practice. TI is not responsible or liable for any such statements.

TI products are not authorized for use in safety-critical applications (such as life support) where a failure of the TI product would reasonably be expected to cause severe personal injury or death, unless officers of the parties have executed an agreement specifically governing such use. Buyers represent that they have all necessary expertise in the safety and regulatory ramifications of their applications, and acknowledge and agree that they are solely responsible for all legal, regulatory and safety-related requirements concerning their products and any use of TI products in such safety-critical applications, notwithstanding any applications-related information or support that may be provided by TI. Further, Buyers must fully indemnify TI and its representatives against any damages arising out of the use of TI products in such safety-critical applications.

TI products are neither designed nor intended for use in military/aerospace applications or environments unless the TI products are specifically designated by TI as military-grade or "enhanced plastic." Only products designated by TI as military-grade meet military specifications. Buyers acknowledge and agree that any such use of TI products which TI has not designated as military-grade is solely at the Buyer's risk, and that they are solely responsible for compliance with all legal and regulatory requirements in connection with such use.

TI products are neither designed nor intended for use in automotive applications or environments unless the specific TI products are designated by TI as compliant with ISO/TS 16949 requirements. Buyers acknowledge and agree that, if they use any non-designated products in automotive applications, TI will not be responsible for any failure to meet such requirements.

Following are URLs where you can obtain information on other Texas Instruments products and application solutions:

Products

Amplifiers	amplifier.ti.com
Data Converters	dataconverter.ti.com
DSP	dsp.ti.com
Clocks and Timers	www.ti.com/clocks
Interface	interface.ti.com
Logic	logic.ti.com
Power Mgmt	power.ti.com
Microcontrollers	microcontroller.ti.com
RFID	www.ti-rfid.com
RF/IF and ZigBee® Solutions	www.ti.com/lprf

Applications

Audio	www.ti.com/audio
Automotive	www.ti.com/automotive
Broadband	www.ti.com/broadband
Digital Control	www.ti.com/digitalcontrol
Medical	www.ti.com/medical
Military	www.ti.com/military
Optical Networking	www.ti.com/opticalnetwork
Security	www.ti.com/security
Telephony	www.ti.com/telephony
Video & Imaging	www.ti.com/video
Wireless	www.ti.com/wireless

Mailing Address: Texas Instruments, Post Office Box 655303, Dallas, Texas 75265
Copyright © 2008, Texas Instruments Incorporated