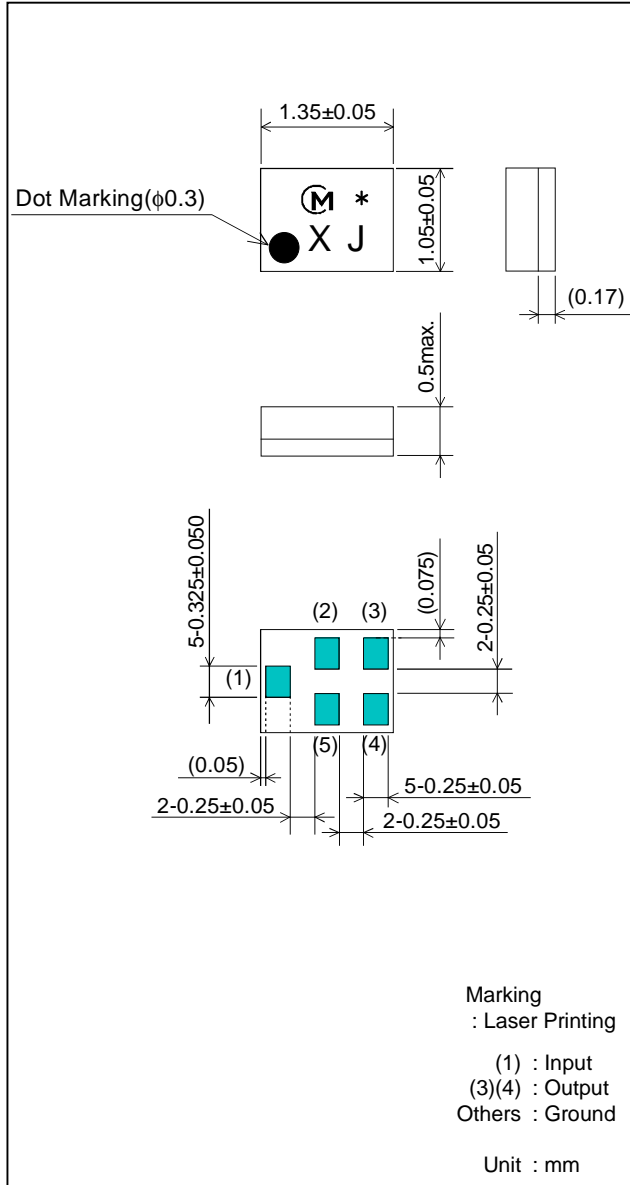


SAW FILTER FOR WLAN/Bluetooth

Murata part number : SAFEA2G45FA0F00

Package Dimensions



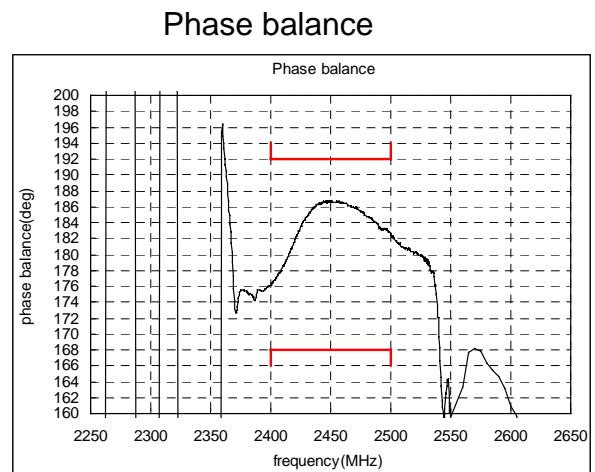
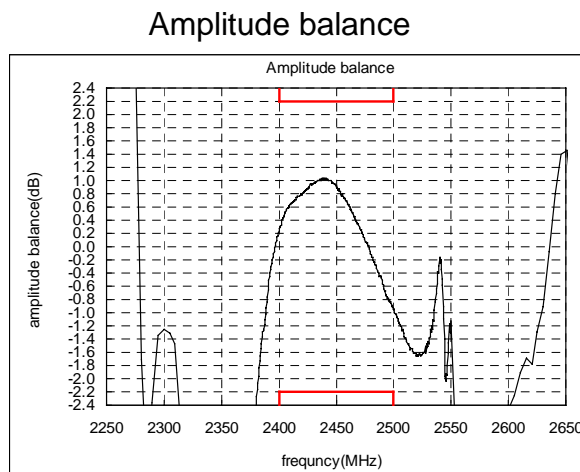
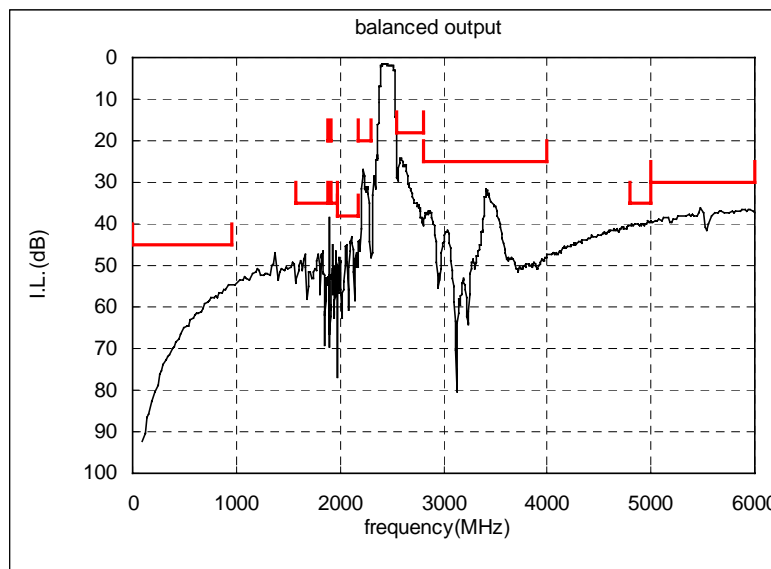
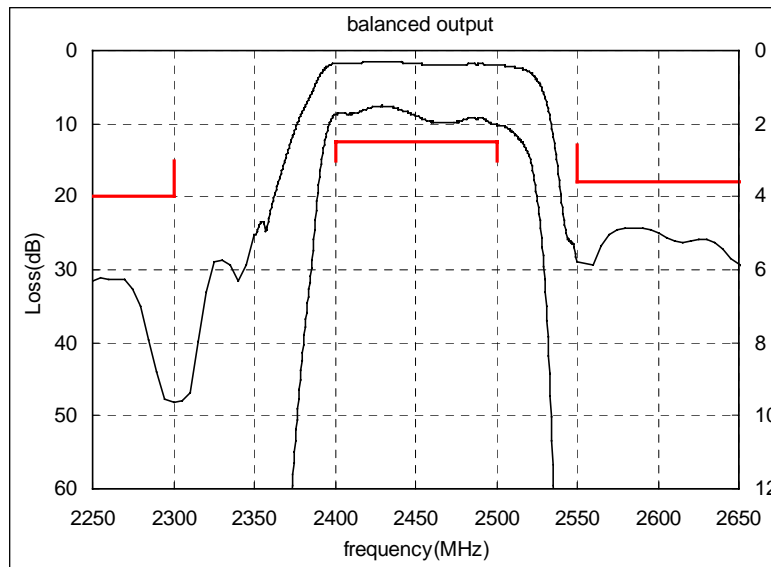
Specification

Item	Specification		
	-30 to 85°C	25 \pm 2°C	typ.
Nominal Center Frequency(fc)	2450MHz		
Insertion Loss (2400 to 2500MHz)	2.5 dB max.	2.2 dB max.	2.0 dB
Absolute Attenuation			
1) 0.1 to 960 MHz	45 dB min.	45 dB min.	52 dB
2) 1570 to 1880 MHz	35 dB min.	35 dB min.	45 dB
3) 1880 to 1910 MHz	20 dB min.	20 dB min.	30 dB
4) 1920 to 1980 MHz	35 dB min.	35 dB min.	49 dB
5) 1980 to 2170 MHz	38 dB min.	38 dB min.	42 dB
6) 2170 to 2300 MHz	20 dB min.	20 dB min.	27 dB
7) 2550 to 2800 MHz	18 dB min.	18 dB min.	23 dB
8) 2800 to 4000 MHz	25 dB min.	25 dB min.	33 dB
9) 4800 to 5000 MHz	35 dB min.	35 dB min.	42 dB
10) 5000 to 6000 MHz	30 dB min.	30 dB min.	40 dB
Ripple Deviation (2400 to 2500MHz)	1.8dB max.	1.5dB max.	0.7 dB
VSWR (2400 to 2500MHz)	2.2 max.	2.0 max.	1.8
Amplitude Balance (2400 to 2500MHz)	\pm 2.2dB max.	\pm 2.2dB max.	+1.0dB
Phase Balance (2400 to 2500MHz)	180 \pm 12deg. max.	180 \pm 12deg. max.	180+5deg.
Input Impedance (nominal)	50 Ω		
Output Impedance (nominal)	100 Ω //10nH		
Input Signal Level	10mW (+10dBm), 8000 hours		

SAW FILTER FOR WLAN/Bluetooth

Murata part number : SAFEA2G45FA0F00

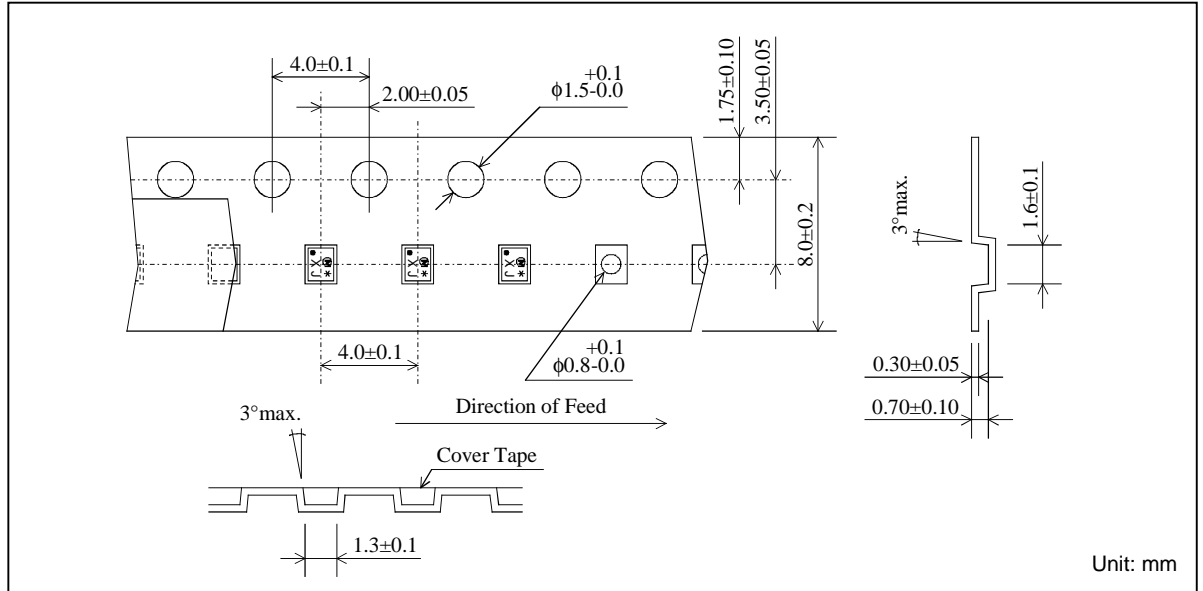
Frequency Performance



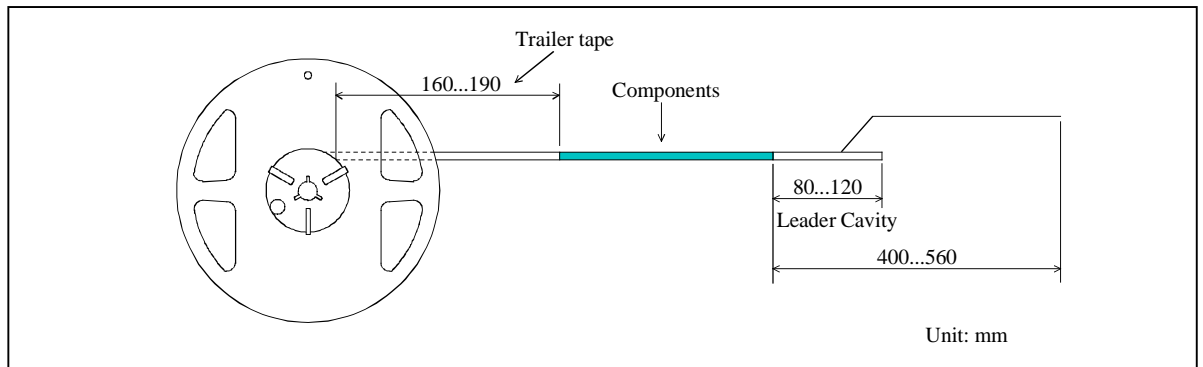
SAW FILTER FOR WLAN/Bluetooth

Murata part number : SAFEA2G45FA0F00

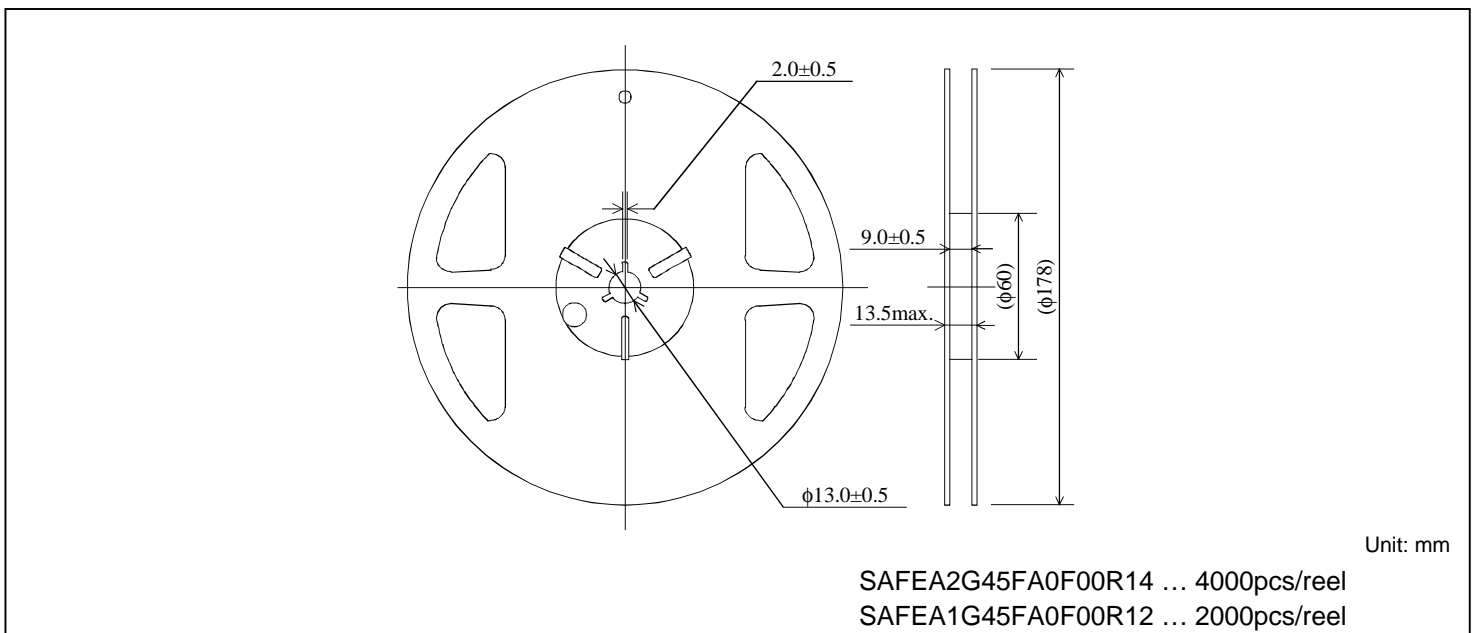
■ Dimensions of Carrier Tape



■ Dimensions of Tape



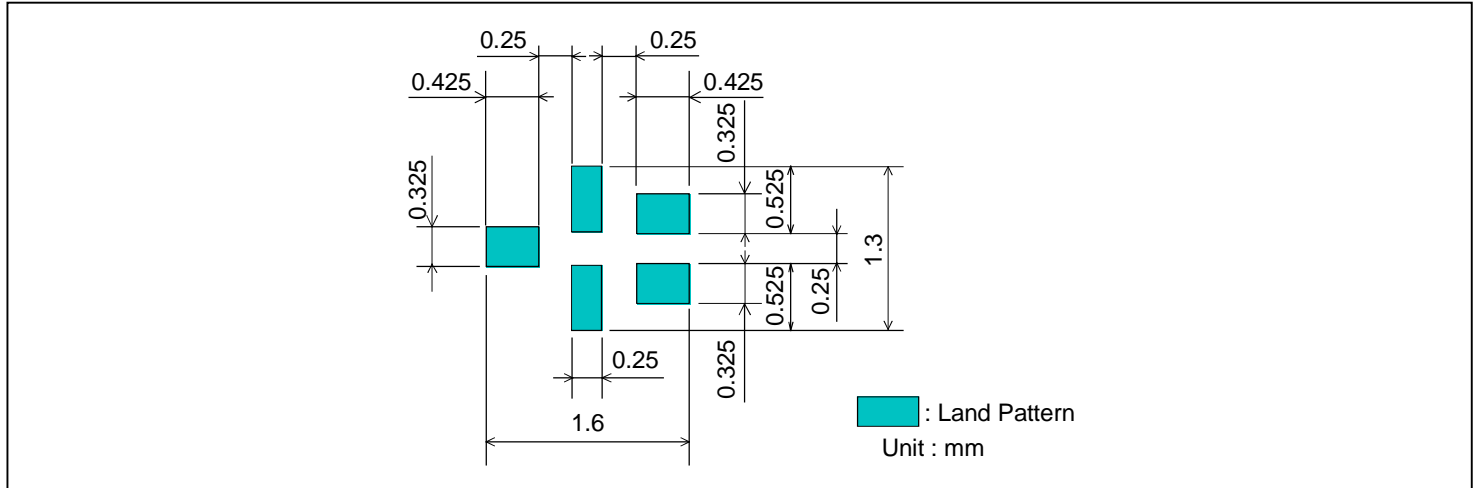
■ Dimensions of Reel



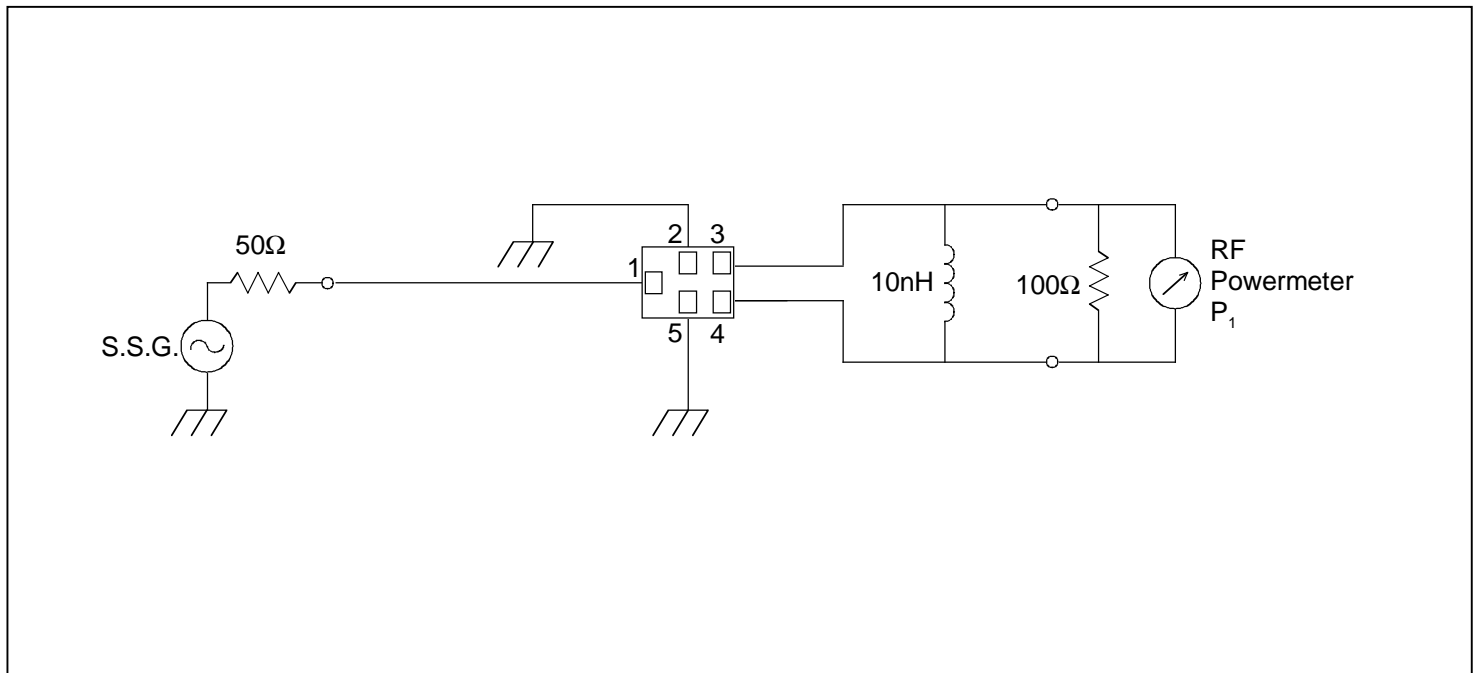
SAW FILTER FOR WLAN/Bluetooth

Murata part number : SAFEA2G45FA0F00

Recommended Land Pattern



Test Circuit



- This PDF Datasheet is downloaded from the website of Murata Manufacturing Co., Ltd. Therefore, it's specifications are subject to change or our products in it may be discontinued without advance notice. Please check with our sales representatives or product engineers before ordering.
- This PDF Datasheet has only typical specifications because there is no space for detailed specifications. Therefore, please approve our product specifications or transact the approval sheet for product specifications before ordering.