

SN54LV393A, SN74LV393A DUAL 4-BIT BINARY COUNTERS

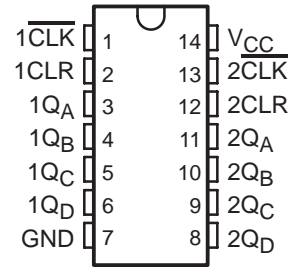
SCLS457D – FEBRUARY 2001 – REVISED APRIL 2005

- 2-V to 5.5-V V_{CC} Operation
- Max t_{pd} of 10 ns at 5 V
- Typical V_{OLP} (Output Ground Bounce) <0.8 V at $V_{CC} = 3.3$ V, $T_A = 25^\circ\text{C}$
- Typical V_{OHV} (Output V_{OH} Undershoot) >2.3 V at $V_{CC} = 3.3$ V, $T_A = 25^\circ\text{C}$
- I_{off} Supports Partial-Power-Down-Mode Operation
- Dual 4-Bit Binary Counters With Individual Clocks
- Direct Clear for Each 4-Bit Counter
- Can Significantly Improve System Densities by Reducing Counter Package Count by 50 Percent
- Latch-Up Performance Exceeds 100 mA Per JESD 78, Class II
- ESD Protection Exceeds JESD 22
 - 2000-V Human-Body Model (A114-A)
 - 200-V Machine Model (A115-A)
 - 1000-V Charged-Device Model (C101)

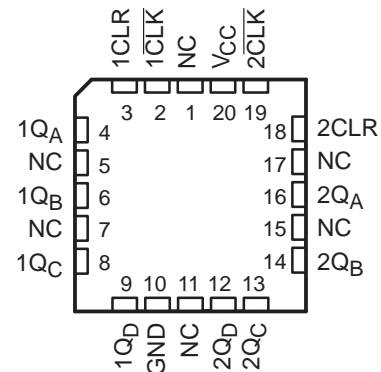
description/ordering information

The 'LV393A devices contain eight flip-flops and additional gating to implement two individual 4-bit counters in a single package. These devices are designed for 2-V to 5.5-V V_{CC} operation.

SN54LV393A . . . J OR W PACKAGE
SN74LV393A . . . D, DB, DGV, NS, OR PW PACKAGE
(TOP VIEW)



SN54LV393A . . . FK PACKAGE
(TOP VIEW)



NC – No internal connection

ORDERING INFORMATION

| T_A | PACKAGE† | | ORDERABLE PART NUMBER | TOP-SIDE MARKING |
|----------------|--------------|----------------|-----------------------|------------------|
| –40°C to 85°C | SOIC – D | Tube of 50 | SN74LV393AD | LV393A |
| | | Reel of 2500 | SN74LV393ADR | |
| | SOP – NS | Reel of 2000 | SN74LV393ANSR | 74LV393A |
| | SSOP – DB | Reel of 2000 | SN74LV393ADBR | LV393A |
| | TSSOP – PW | Tube of 90 | SN74LV393APW | LV393A |
| | | Reel of 2000 | SN74LV393APWR | |
| Reel of 250 | | SN74LV393APWT | | |
| TVSOP – DGV | Reel of 2000 | SN74LV393ADGVR | LV393A | |
| –55°C to 125°C | CDIP – J | Tube of 25 | SNJ54LV393AJ | SNJ54LV393AJ |
| | CFP – W | Tube of 150 | SNJ54LV393AW | SNJ54LV393AW |
| | LCCC – FK | Tube of 55 | SNJ54LV393AFK | SNJ54LV393AFK |

† Package drawings, standard packing quantities, thermal data, symbolization, and PCB design guidelines are available at www.ti.com/sc/package.



Please be aware that an important notice concerning availability, standard warranty, and use in critical applications of Texas Instruments semiconductor products and disclaimers thereto appears at the end of this data sheet.

UNLESS OTHERWISE NOTED this document contains PRODUCTION DATA information current as of publication date. Products conform to specifications per the terms of Texas Instruments standard warranty. Production processing does not necessarily include testing of all parameters.

 **TEXAS
INSTRUMENTS**

POST OFFICE BOX 655303 • DALLAS, TEXAS 75265

Copyright © 2005, Texas Instruments Incorporated

SN54LV393A, SN74LV393A DUAL 4-BIT BINARY COUNTERS

SCLS457D – FEBRUARY 2001 – REVISED APRIL 2005

description/ordering informaton (continued)

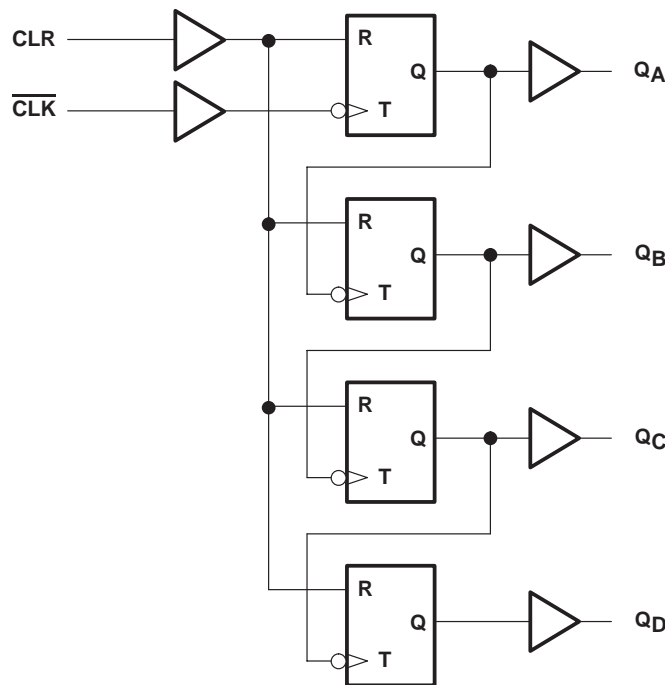
These devices comprise two independent 4-bit binary counters, each having a clear (CLR) and a clock ($\overline{\text{CLK}}$) input. These devices change state on the negative-going transition of the $\overline{\text{CLK}}$ pulse. N-bit binary counters can be implemented with each package, providing the capability of divide by 256. The 'LV393A devices have parallel outputs from each counter stage so that any submultiple of the input count frequency is available for system timing signals.

These devices are fully specified for partial-power-down applications using I_{off} . The I_{off} circuitry disables the outputs, preventing damaging current backflow through the devices when they are powered down.

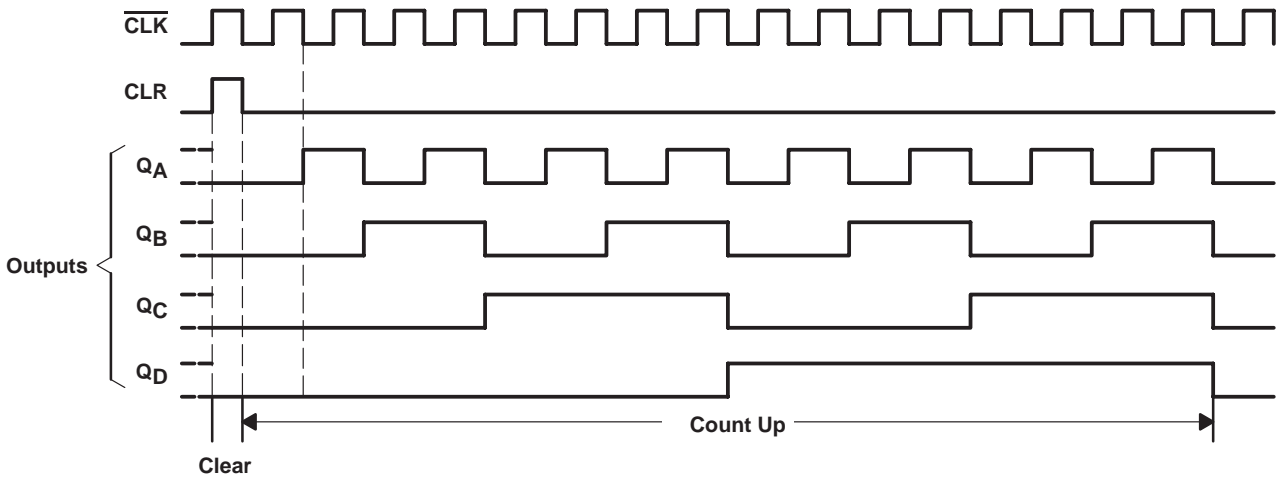
FUNCTION TABLE

| INPUTS | | FUNCTION |
|-------------------------|-----|-----------------------|
| $\overline{\text{CLK}}$ | CLR | |
| ↑ | L | No change |
| ↓ | L | Advance to next stage |
| X | H | All outputs L |

logic diagram, each counter (positive logic)



timing diagram



absolute maximum ratings over operating free-air temperature range (unless otherwise noted)†

| | |
|--|----------------------------|
| Supply voltage range, V_{CC} | -0.5 V to 7 V |
| Input voltage range, V_I (see Note 1) | -0.5 V to 7 V |
| Output voltage range applied in high or low state, V_O (see Notes 1 and 2) | -0.5 V to $V_{CC} + 0.5$ V |
| Output voltage range applied in power-off state, V_O (see Note 1) | -0.5 V to 7 V |
| Input clamp current, I_{IK} ($V_I < 0$) | -20 mA |
| Output clamp current, I_{OK} ($V_O < 0$) | -50 mA |
| Continuous output current, I_O ($V_O = 0$ to V_{CC}) | ± 25 mA |
| Continuous current through V_{CC} or GND | ± 50 mA |
| Package thermal impedance, θ_{JA} (see Note 3): D package | 86°C/W |
| DB package | 96°C/W |
| DGV package | 127°C/W |
| NS package | 76°C/W |
| PW package | 113°C/W |
| Storage temperature range, T_{stg} | -65°C to 150°C |

† Stresses beyond those listed under "absolute maximum ratings" may cause permanent damage to the device. These are stress ratings only, and functional operation of the device at these or any other conditions beyond those indicated under "recommended operating conditions" is not implied. Exposure to absolute-maximum-rated conditions for extended periods may affect device reliability.

- NOTES: 1. The input and output negative-voltage ratings may be exceeded if the input and output current ratings are observed.
 2. This value is limited to 7 V maximum.
 3. The package thermal impedance is calculated in accordance with JESD 51-7.

SN54LV393A, SN74LV393A DUAL 4-BIT BINARY COUNTERS

SCLS457D – FEBRUARY 2001 – REVISED APRIL 2005

recommended operating conditions (see Note 4)

| | | SN54LV393A | | SN74LV393A | | UNIT |
|---------------------|------------------------------------|---|---------------------|---------------------|----------|--------------------|
| | | MIN | MAX | MIN | MAX | |
| V_{CC} | Supply voltage | 2 | 5.5 | 2 | 5.5 | V |
| V_{IH} | High-level input voltage | $V_{CC} = 2\text{ V}$ | 1.5 | 1.5 | | V |
| | | $V_{CC} = 2.3\text{ V to }2.7\text{ V}$ | $V_{CC} \times 0.7$ | $V_{CC} \times 0.7$ | | |
| | | $V_{CC} = 3\text{ V to }3.6\text{ V}$ | $V_{CC} \times 0.7$ | $V_{CC} \times 0.7$ | | |
| | | $V_{CC} = 4.5\text{ V to }5.5\text{ V}$ | $V_{CC} \times 0.7$ | $V_{CC} \times 0.7$ | | |
| V_{IL} | Low-level input voltage | $V_{CC} = 2\text{ V}$ | 0.5 | 0.5 | | V |
| | | $V_{CC} = 2.3\text{ V to }2.7\text{ V}$ | $V_{CC} \times 0.3$ | $V_{CC} \times 0.3$ | | |
| | | $V_{CC} = 3\text{ V to }3.6\text{ V}$ | $V_{CC} \times 0.3$ | $V_{CC} \times 0.3$ | | |
| | | $V_{CC} = 4.5\text{ V to }5.5\text{ V}$ | $V_{CC} \times 0.3$ | $V_{CC} \times 0.3$ | | |
| V_I | Input voltage | 0 | 5.5 | 0 | 5.5 | V |
| V_O | Output voltage | 0 | V_{CC} | 0 | V_{CC} | V |
| I_{OH} | High-level output current | $V_{CC} = 2\text{ V}$ | -50 | -50 | | μA |
| | | $V_{CC} = 2.3\text{ V to }2.7\text{ V}$ | -2 | -2 | | mA |
| | | $V_{CC} = 3\text{ V to }3.6\text{ V}$ | -6 | -6 | | |
| | | $V_{CC} = 4.5\text{ V to }5.5\text{ V}$ | -12 | -12 | | |
| I_{OL} | Low-level output current | $V_{CC} = 2\text{ V}$ | 50 | 50 | | μA |
| | | $V_{CC} = 2.3\text{ V to }2.7\text{ V}$ | 2 | 2 | | mA |
| | | $V_{CC} = 3\text{ V to }3.6\text{ V}$ | 6 | 6 | | |
| | | $V_{CC} = 4.5\text{ V to }5.5\text{ V}$ | 12 | 12 | | |
| $\Delta t/\Delta v$ | Input transition rise or fall rate | $V_{CC} = 2.3\text{ V to }2.7\text{ V}$ | 200 | 200 | | ns/V |
| | | $V_{CC} = 3\text{ V to }3.6\text{ V}$ | 100 | 100 | | |
| | | $V_{CC} = 4.5\text{ V to }5.5\text{ V}$ | 20 | 20 | | |
| T_A | Operating free-air temperature | -55 | 125 | -40 | 85 | $^{\circ}\text{C}$ |

NOTE 4: All unused inputs of the device must be held at V_{CC} or GND to ensure proper device operation. Refer to the TI application report, *Implications of Slow or Floating CMOS Inputs*, literature number SCBA004.

electrical characteristics over recommended operating free-air temperature range (unless otherwise noted)

| PARAMETER | TEST CONDITIONS | V_{CC} | SN54LV393A | | | SN74LV393A | | | UNIT |
|-----------|--|--------------|--------------|-----|-----|--------------|-----|-----|---------------|
| | | | MIN | TYP | MAX | MIN | TYP | MAX | |
| V_{OH} | $I_{OH} = -50\ \mu\text{A}$ | 2 V to 5.5 V | $V_{CC}-0.1$ | | | $V_{CC}-0.1$ | | | V |
| | $I_{OH} = -2\ \text{mA}$ | 2.3 V | 2 | | | 2 | | | |
| | $I_{OH} = -6\ \text{mA}$ | 3 V | 2.48 | | | 2.48 | | | |
| | $I_{OH} = -12\ \text{mA}$ | 4.5 V | 3.8 | | | 3.8 | | | |
| V_{OL} | $I_{OL} = 50\ \mu\text{A}$ | 2 V to 5.5 V | 0.1 | | | 0.1 | | | V |
| | $I_{OL} = 2\ \text{mA}$ | 2.3 V | 0.4 | | | 0.4 | | | |
| | $I_{OL} = 6\ \text{mA}$ | 3 V | 0.44 | | | 0.44 | | | |
| | $I_{OL} = 12\ \text{mA}$ | 4.5 V | 0.55 | | | 0.55 | | | |
| I_I | $V_I = 5.5\text{ V or GND}$ | 0 to 5.5 V | ± 1 | | | ± 1 | | | μA |
| I_{CC} | $V_I = V_{CC}\text{ or GND, } I_O = 0$ | 5.5 V | 20 | | | 20 | | | μA |
| I_{off} | $V_I\text{ or }V_O = 0\text{ to }5.5\text{ V}$ | 0 | 5 | | | 5 | | | μA |
| C_i | $V_I = V_{CC}\text{ or GND}$ | 3.3 V | 1.8 | | | 1.8 | | | pF |

PRODUCT PREVIEW information concerns products in the formative or design phase of development. Characteristic data and other specifications are design goals. Texas Instruments reserves the right to change or discontinue these products without notice.



POST OFFICE BOX 655303 • DALLAS, TEXAS 75265

SN54LV393A, SN74LV393A DUAL 4-BIT BINARY COUNTERS

SCLS457D – FEBRUARY 2001 – REVISED APRIL 2005

timing requirements over recommended operating free-air temperature range, $V_{CC} = 2.5\text{ V} \pm 0.2\text{ V}$ (unless otherwise noted) (see Figure 1)

| | | | $T_A = 25^\circ\text{C}$ | | SN54LV393A | | SN74LV393A | | UNIT |
|----------|----------------|--------------------------|--------------------------|-----|------------|-----|------------|-----|------|
| | | | MIN | MAX | MIN | MAX | MIN | MAX | |
| t_w | Pulse duration | CLK high or low | 5 | | 5 | | 5 | | ns |
| | | CLR high | 5 | | 5 | | 5 | | |
| t_{su} | Setup time | CLR inactive before CLK↓ | 6 | | 6 | | 6 | | ns |

timing requirements over recommended operating free-air temperature range, $V_{CC} = 3.3\text{ V} \pm 0.3\text{ V}$ (unless otherwise noted) (see Figure 1)

| | | | $T_A = 25^\circ\text{C}$ | | SN54LV393A | | SN74LV393A | | UNIT |
|----------|----------------|--------------------------|--------------------------|-----|------------|-----|------------|-----|------|
| | | | MIN | MAX | MIN | MAX | MIN | MAX | |
| t_w | Pulse duration | CLK high or low | 5 | | 5 | | 5 | | ns |
| | | CLR high | 5 | | 5 | | 5 | | |
| t_{su} | Setup time | CLR inactive before CLK↓ | 5 | | 5 | | 5 | | ns |

timing requirements over recommended operating free-air temperature range, $V_{CC} = 5\text{ V} \pm 0.5\text{ V}$ (unless otherwise noted) (see Figure 1)

| | | | $T_A = 25^\circ\text{C}$ | | SN54LV393A | | SN74LV393A | | UNIT |
|----------|----------------|--------------------------|--------------------------|-----|------------|-----|------------|-----|------|
| | | | MIN | MAX | MIN | MAX | MIN | MAX | |
| t_w | Pulse duration | CLK high or low | 5 | | 5 | | 5 | | ns |
| | | CLR high | 5 | | 5 | | 5 | | |
| t_{su} | Setup time | CLR inactive before CLK↓ | 4 | | 4 | | 4 | | ns |

switching characteristics over recommended operating free-air temperature range, $V_{CC} = 2.5\text{ V} \pm 0.2\text{ V}$ (unless otherwise noted) (see Figure 1)

| PARAMETER | FROM (INPUT) | TO (OUTPUT) | LOAD CAPACITANCE | $T_A = 25^\circ\text{C}$ | | | SN54LV393A | | SN74LV393A | | UNIT |
|-----------|--------------|----------------|----------------------|--------------------------|-------|-----|------------|-------|------------|------|------|
| | | | | MIN | TYP | MAX | MIN | MAX | MIN | MAX | |
| f_{max} | | | $C_L = 15\text{ pF}$ | 50* | 90* | | 40* | | 40 | | MHz |
| | | | $C_L = 50\text{ pF}$ | 30 | 70 | | 25 | | 25 | | |
| t_{pd} | CLK | Q _A | $C_L = 15\text{ pF}$ | 7.1* | 17.7* | | 1* | 20.5* | 1 | 20.5 | ns |
| | | Q _B | | 8.5* | 20.3* | | 1* | 23.5* | 1 | 23.5 | |
| | | Q _C | | 10* | 22.5* | | 1* | 26* | 1 | 26 | |
| | | Q _D | | 11.1* | 24.2* | | 1* | 28* | 1 | 28 | |
| t_{PHL} | CLR | Q _n | | 6.7* | 14.8* | | 1* | 17* | 1 | 17 | |
| t_{pd} | CLK | Q _A | $C_L = 50\text{ pF}$ | 9.3 | 21.3 | | 1 | 24.5 | 1 | 24.5 | ns |
| | | Q _B | | 10.9 | 23.9 | | 1 | 27.5 | 1 | 27.5 | |
| | | Q _C | | 12.3 | 26.1 | | 1 | 30 | 1 | 30 | |
| | | Q _D | | 13.4 | 27.8 | | 1 | 32 | 1 | 32 | |
| t_{PHL} | CLR | Q _n | | 9.1 | 17.4 | | 1 | 20 | 1 | 20 | |

* On products compliant to MIL-PRF-38535, this parameter is not production tested.

PRODUCT PREVIEW information concerns products in the formative or design phase of development. Characteristic data and other specifications are design goals. Texas Instruments reserves the right to change or discontinue these products without notice.



POST OFFICE BOX 655303 • DALLAS, TEXAS 75265

SN54LV393A, SN74LV393A DUAL 4-BIT BINARY COUNTERS

SCLS457D – FEBRUARY 2001 – REVISED APRIL 2005

switching characteristics over recommended operation free-air temperature range, $V_{CC} = 3.3 V \pm 0.3 V$ (unless otherwise noted) (see Figure 1)

| PARAMETER | FROM (INPUT) | TO (OUTPUT) | LOAD CAPACITANCE | $T_A = 25^\circ C$ | | | SN54LV393A | | SN74LV393A | | UNIT |
|-----------|-------------------------|-------------|-----------------------|--------------------|-------|-----|------------|-------|------------|------|------|
| | | | | MIN | TYP | MAX | MIN | MAX | MIN | MAX | |
| f_{max} | | | $C_L = 15 \text{ pF}$ | 75* | 130* | | 65* | | 65 | | MHz |
| | | | $C_L = 50 \text{ pF}$ | 45 | 105 | | 35 | | 35 | | |
| t_{pd} | $\overline{\text{CLK}}$ | Q_A | $C_L = 15 \text{ pF}$ | 5.1* | 13.2* | | 1* | 15.5* | 1 | 15.5 | ns |
| | | Q_B | | 6* | 15.8* | | 1* | 18.5* | 1 | 18.5 | |
| | | Q_C | | 7* | 18* | | 1* | 21* | 1 | 21 | |
| | | Q_D | | 7.7* | 19.7* | | 1* | 23* | 1 | 23 | |
| t_{PHL} | CLR | Q_n | | 5.1* | 12.3* | | 1* | 14.5* | 1 | 14.5 | |
| t_{pd} | $\overline{\text{CLK}}$ | Q_A | $C_L = 50 \text{ pF}$ | 6.7 | 16.7 | | 1 | 19 | 1 | 19 | ns |
| | | Q_B | | 7.8 | 19.3 | | 1 | 22 | 1 | 22 | |
| | | Q_C | | 8.7 | 21.5 | | 1 | 24.5 | 1 | 24.5 | |
| | | Q_D | | 9.5 | 23.2 | | 1 | 26.5 | 1 | 26.5 | |
| t_{PHL} | CLR | Q_n | | 6.8 | 15.8 | | 1 | 18 | 1 | 18 | |

* On products compliant to MIL-PRF-38535, this parameter is not production tested.

switching characteristics over recommended operating free-air temperature range, $V_{CC} = 5 V \pm 0.5 V$ (unless otherwise noted) (see Figure 1)

| PARAMETER | FROM (INPUT) | TO (OUTPUT) | LOAD CAPACITANCE | $T_A = 25^\circ C$ | | | SN54LV393A | | SN74LV393A | | UNIT |
|-----------|-------------------------|-------------|-----------------------|--------------------|-------|-----|------------|-------|------------|------|------|
| | | | | MIN | TYP | MAX | MIN | MAX | MIN | MAX | |
| f_{max} | | | $C_L = 15 \text{ pF}$ | 125* | 185* | | 105* | | 105 | | MHz |
| | | | $C_L = 50 \text{ pF}$ | 85 | 150 | | 75 | | 75 | | |
| t_{pd} | $\overline{\text{CLK}}$ | Q_A | $C_L = 15 \text{ pF}$ | 3.7* | 8.5* | | 1* | 10* | 1 | 10 | ns |
| | | Q_B | | 4.3* | 9.8* | | 1* | 11.5* | 1 | 11.5 | |
| | | Q_C | | 4.9* | 11.2* | | 1* | 13* | 1 | 13 | |
| | | Q_D | | 5.3* | 12.5* | | 1* | 14.5* | 1 | 14.5 | |
| t_{PHL} | CLR | Q_n | | 3.9* | 8.1* | | 1* | 9.5* | 1 | 9.5 | |
| t_{pd} | $\overline{\text{CLK}}$ | Q_A | $C_L = 50 \text{ pF}$ | 4.9 | 10.5 | | 1 | 12 | 1 | 12 | ns |
| | | Q_B | | 5.6 | 11.8 | | 1 | 13.5 | 1 | 13.5 | |
| | | Q_C | | 6.2 | 13.2 | | 1 | 15 | 1 | 15 | |
| | | Q_D | | 6.6 | 14.5 | | 1 | 16.5 | 1 | 16.5 | |
| t_{PHL} | CLR | Q_n | | 5.2 | 10.1 | | 1 | 11.5 | 1 | 11.5 | |

* On products compliant to MIL-PRF-38535, this parameter is not production tested.

PRODUCT PREVIEW information concerns products in the formative or design phase of development. Characteristic data and other specifications are design goals. Texas Instruments reserves the right to change or discontinue these products without notice.



SN54LV393A, SN74LV393A DUAL 4-BIT BINARY COUNTERS

SCLS457D – FEBRUARY 2001 – REVISED APRIL 2005

noise characteristics, $V_{CC} = 3.3\text{ V}$, $C_L = 50\text{ pF}$, $T_A = 25^\circ\text{C}$ (see Note 5)

| PARAMETER | SN74LV393A | | | UNIT |
|--|------------|------|------|------|
| | MIN | TYP | MAX | |
| $V_{OL(P)}$ Quiet output, maximum dynamic V_{OL} | | 0.3 | 0.8 | V |
| $V_{OL(V)}$ Quiet output, minimum dynamic V_{OL} | | -0.2 | -0.8 | V |
| $V_{OH(V)}$ Quiet output, minimum dynamic V_{OH} | | 2.8 | | V |
| $V_{IH(D)}$ High-level dynamic input voltage | 2.31 | | | V |
| $V_{IL(D)}$ Low-level dynamic input voltage | | | 0.99 | V |

NOTE 5: Characteristics are for surface-mount packages only.

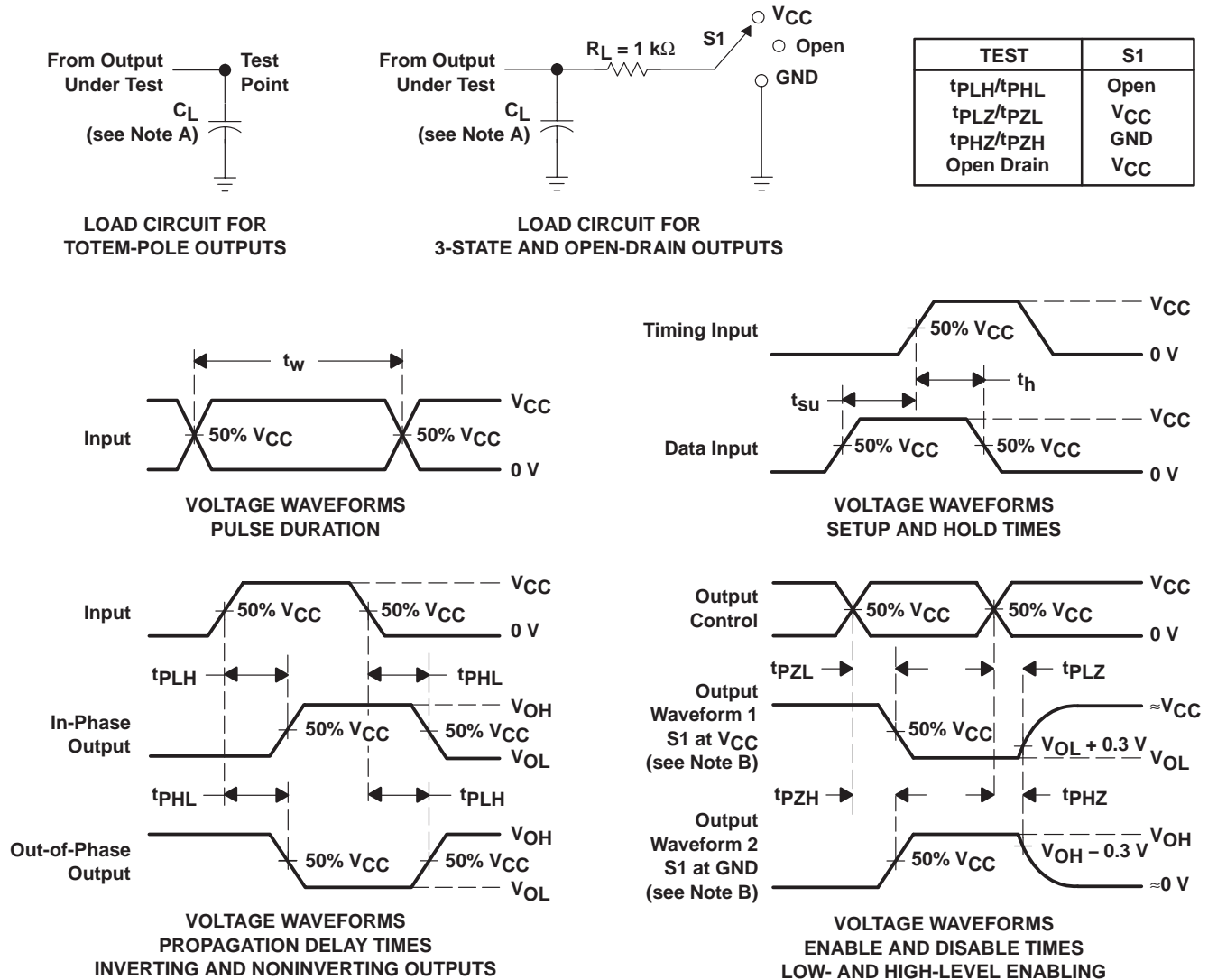
operating characteristics, $T_A = 25^\circ\text{C}$

| PARAMETER | TEST CONDITIONS | V_{CC} | TYP | UNIT |
|--|--|----------|------|------|
| C_{pd} Power dissipation capacitance | $C_L = 50\text{ pF}$, $f = 10\text{ MHz}$ | 3.3 V | 15.2 | pF |
| | | 5 V | 17.3 | |

SN54LV393A, SN74LV393A DUAL 4-BIT BINARY COUNTERS

SCLS457D – FEBRUARY 2001 – REVISED APRIL 2005

PARAMETER MEASUREMENT INFORMATION



- NOTES:
- A. C_L includes probe and jig capacitance.
 - B. Waveform 1 is for an output with internal conditions such that the output is low, except when disabled by the output control. Waveform 2 is for an output with internal conditions such that the output is high, except when disabled by the output control.
 - C. All input pulses are supplied by generators having the following characteristics: PRR ≤ 1 MHz, $Z_O = 50\ \Omega$, $t_r \leq 3$ ns, $t_f \leq 3$ ns.
 - D. The outputs are measured one at a time, with one input transition per measurement.
 - E. t_{PLZ} and t_{PHZ} are the same as t_{dis} .
 - F. t_{PZL} and t_{PZH} are the same as t_{en} .
 - G. t_{PHL} and t_{PLH} are the same as t_{pd} .
 - H. All parameters and waveforms are not applicable to all devices.

Figure 1. Load Circuit and Voltage Waveforms

PACKAGING INFORMATION

| Orderable Device | Status ⁽¹⁾ | Package Type | Package Drawing | Pins | Package Qty | Eco Plan ⁽²⁾ | Lead/Ball Finish | MSL Peak Temp ⁽³⁾ |
|------------------|-----------------------|--------------|-----------------|------|-------------|-------------------------|------------------|------------------------------|
| SN74LV393AD | ACTIVE | SOIC | D | 14 | 50 | Green (RoHS & no Sb/Br) | CU NIPDAU | Level-1-260C-UNLIM |
| SN74LV393ADBR | ACTIVE | SSOP | DB | 14 | 2000 | Green (RoHS & no Sb/Br) | CU NIPDAU | Level-1-260C-UNLIM |
| SN74LV393ADBRE4 | ACTIVE | SSOP | DB | 14 | 2000 | Green (RoHS & no Sb/Br) | CU NIPDAU | Level-1-260C-UNLIM |
| SN74LV393ADBRG4 | ACTIVE | SSOP | DB | 14 | 2000 | Green (RoHS & no Sb/Br) | CU NIPDAU | Level-1-260C-UNLIM |
| SN74LV393ADE4 | ACTIVE | SOIC | D | 14 | 50 | Green (RoHS & no Sb/Br) | CU NIPDAU | Level-1-260C-UNLIM |
| SN74LV393ADG4 | ACTIVE | SOIC | D | 14 | 50 | Green (RoHS & no Sb/Br) | CU NIPDAU | Level-1-260C-UNLIM |
| SN74LV393ADGVR | ACTIVE | TVSOP | DGV | 14 | 2000 | Green (RoHS & no Sb/Br) | CU NIPDAU | Level-1-260C-UNLIM |
| SN74LV393ADGVRE4 | ACTIVE | TVSOP | DGV | 14 | 2000 | Green (RoHS & no Sb/Br) | CU NIPDAU | Level-1-260C-UNLIM |
| SN74LV393ADGVRG4 | ACTIVE | TVSOP | DGV | 14 | 2000 | Green (RoHS & no Sb/Br) | CU NIPDAU | Level-1-260C-UNLIM |
| SN74LV393ADR | ACTIVE | SOIC | D | 14 | 2500 | Green (RoHS & no Sb/Br) | CU NIPDAU | Level-1-260C-UNLIM |
| SN74LV393ADRE4 | ACTIVE | SOIC | D | 14 | 2500 | Green (RoHS & no Sb/Br) | CU NIPDAU | Level-1-260C-UNLIM |
| SN74LV393ADRG4 | ACTIVE | SOIC | D | 14 | 2500 | Green (RoHS & no Sb/Br) | CU NIPDAU | Level-1-260C-UNLIM |
| SN74LV393ANSR | ACTIVE | SO | NS | 14 | 2000 | Green (RoHS & no Sb/Br) | CU NIPDAU | Level-1-260C-UNLIM |
| SN74LV393ANSRE4 | ACTIVE | SO | NS | 14 | 2000 | Green (RoHS & no Sb/Br) | CU NIPDAU | Level-1-260C-UNLIM |
| SN74LV393ANSRG4 | ACTIVE | SO | NS | 14 | 2000 | Green (RoHS & no Sb/Br) | CU NIPDAU | Level-1-260C-UNLIM |
| SN74LV393APW | ACTIVE | TSSOP | PW | 14 | 90 | Green (RoHS & no Sb/Br) | CU NIPDAU | Level-1-260C-UNLIM |
| SN74LV393APWE4 | ACTIVE | TSSOP | PW | 14 | 90 | Green (RoHS & no Sb/Br) | CU NIPDAU | Level-1-260C-UNLIM |
| SN74LV393APWG4 | ACTIVE | TSSOP | PW | 14 | 90 | Green (RoHS & no Sb/Br) | CU NIPDAU | Level-1-260C-UNLIM |
| SN74LV393APWR | ACTIVE | TSSOP | PW | 14 | 2000 | Green (RoHS & no Sb/Br) | CU NIPDAU | Level-1-260C-UNLIM |
| SN74LV393APWRE4 | ACTIVE | TSSOP | PW | 14 | 2000 | Green (RoHS & no Sb/Br) | CU NIPDAU | Level-1-260C-UNLIM |
| SN74LV393APWRG4 | ACTIVE | TSSOP | PW | 14 | 2000 | Green (RoHS & no Sb/Br) | CU NIPDAU | Level-1-260C-UNLIM |
| SN74LV393APWT | ACTIVE | TSSOP | PW | 14 | 250 | Green (RoHS & no Sb/Br) | CU NIPDAU | Level-1-260C-UNLIM |
| SN74LV393APWTE4 | ACTIVE | TSSOP | PW | 14 | 250 | Green (RoHS & no Sb/Br) | CU NIPDAU | Level-1-260C-UNLIM |
| SN74LV393APWTG4 | ACTIVE | TSSOP | PW | 14 | 250 | Green (RoHS & no Sb/Br) | CU NIPDAU | Level-1-260C-UNLIM |

⁽¹⁾ The marketing status values are defined as follows:

ACTIVE: Product device recommended for new designs.

LIFEBUY: TI has announced that the device will be discontinued, and a lifetime-buy period is in effect.

NRND: Not recommended for new designs. Device is in production to support existing customers, but TI does not recommend using this part in a new design.

PREVIEW: Device has been announced but is not in production. Samples may or may not be available.

OBSOLETE: TI has discontinued the production of the device.

⁽²⁾ Eco Plan - The planned eco-friendly classification: Pb-Free (RoHS), Pb-Free (RoHS Exempt), or Green (RoHS & no Sb/Br) - please check <http://www.ti.com/productcontent> for the latest availability information and additional product content details.

TBD: The Pb-Free/Green conversion plan has not been defined.

Pb-Free (RoHS): TI's terms "Lead-Free" or "Pb-Free" mean semiconductor products that are compatible with the current RoHS requirements for all 6 substances, including the requirement that lead not exceed 0.1% by weight in homogeneous materials. Where designed to be soldered at high temperatures, TI Pb-Free products are suitable for use in specified lead-free processes.

Pb-Free (RoHS Exempt): This component has a RoHS exemption for either 1) lead-based flip-chip solder bumps used between the die and package, or 2) lead-based die adhesive used between the die and leadframe. The component is otherwise considered Pb-Free (RoHS compatible) as defined above.

Green (RoHS & no Sb/Br): TI defines "Green" to mean Pb-Free (RoHS compatible), and free of Bromine (Br) and Antimony (Sb) based flame retardants (Br or Sb do not exceed 0.1% by weight in homogeneous material)

⁽³⁾ MSL, Peak Temp. -- The Moisture Sensitivity Level rating according to the JEDEC industry standard classifications, and peak solder temperature.

Important Information and Disclaimer:The information provided on this page represents TI's knowledge and belief as of the date that it is provided. TI bases its knowledge and belief on information provided by third parties, and makes no representation or warranty as to the accuracy of such information. Efforts are underway to better integrate information from third parties. TI has taken and continues to take reasonable steps to provide representative and accurate information but may not have conducted destructive testing or chemical analysis on incoming materials and chemicals. TI and TI suppliers consider certain information to be proprietary, and thus CAS numbers and other limited information may not be available for release.

In no event shall TI's liability arising out of such information exceed the total purchase price of the TI part(s) at issue in this document sold by TI to Customer on an annual basis.

OTHER QUALIFIED VERSIONS OF SN74LV393A :

- Automotive: [SN74LV393A-Q1](#)
- Enhanced Product: [SN74LV393A-EP](#)

NOTE: Qualified Version Definitions:

- Automotive - Q100 devices qualified for high-reliability automotive applications targeting zero defects
- Enhanced Product - Supports Defense, Aerospace and Medical Applications

TAPE AND REEL INFORMATION



QUADRANT ASSIGNMENTS FOR PIN 1 ORIENTATION IN TAPE



*All dimensions are nominal

| Device | Package Type | Package Drawing | Pins | SPQ | Reel Diameter (mm) | Reel Width W1 (mm) | A0 (mm) | B0 (mm) | K0 (mm) | P1 (mm) | W (mm) | Pin1 Quadrant |
|----------------|--------------|-----------------|------|------|--------------------|--------------------|---------|---------|---------|---------|--------|---------------|
| SN74LV393ADBR | SSOP | DB | 14 | 2000 | 330.0 | 16.4 | 8.2 | 6.6 | 2.5 | 12.0 | 16.0 | Q1 |
| SN74LV393ADGVR | TVSOP | DGV | 14 | 2000 | 330.0 | 12.4 | 6.8 | 4.0 | 1.6 | 8.0 | 12.0 | Q1 |
| SN74LV393ADR | SOIC | D | 14 | 2500 | 330.0 | 16.4 | 6.5 | 9.0 | 2.1 | 8.0 | 16.0 | Q1 |
| SN74LV393ANSR | SO | NS | 14 | 2000 | 330.0 | 16.4 | 8.2 | 10.5 | 2.5 | 12.0 | 16.0 | Q1 |
| SN74LV393APWR | TSSOP | PW | 14 | 2000 | 330.0 | 12.4 | 7.0 | 5.6 | 1.6 | 8.0 | 12.0 | Q1 |

TAPE AND REEL BOX DIMENSIONS



*All dimensions are nominal

| Device | Package Type | Package Drawing | Pins | SPQ | Length (mm) | Width (mm) | Height (mm) |
|----------------|--------------|-----------------|------|------|-------------|------------|-------------|
| SN74LV393ADBR | SSOP | DB | 14 | 2000 | 346.0 | 346.0 | 33.0 |
| SN74LV393ADGVR | TVSOP | DGV | 14 | 2000 | 346.0 | 346.0 | 29.0 |
| SN74LV393ADR | SOIC | D | 14 | 2500 | 346.0 | 346.0 | 33.0 |
| SN74LV393ANSR | SO | NS | 14 | 2000 | 346.0 | 346.0 | 33.0 |
| SN74LV393APWR | TSSOP | PW | 14 | 2000 | 346.0 | 346.0 | 29.0 |

DB (R-PDSO-G**)

PLASTIC SMALL-OUTLINE

28 PINS SHOWN



- NOTES: A. All linear dimensions are in millimeters.
 B. This drawing is subject to change without notice.
 C. Body dimensions do not include mold flash or protrusion not to exceed 0,15.
 D. Falls within JEDEC MO-150

MECHANICAL DATA

NS (R-PDSO-G)**

PLASTIC SMALL-OUTLINE PACKAGE

14-PINS SHOWN



- NOTES:
- A. All linear dimensions are in millimeters.
 - B. This drawing is subject to change without notice.
 - C. Body dimensions do not include mold flash or protrusion, not to exceed 0,15.

PW (R-PDSO-G**)

PLASTIC SMALL-OUTLINE PACKAGE

14 PINS SHOWN



4040064/F 01/97

- NOTES: A. All linear dimensions are in millimeters.
 B. This drawing is subject to change without notice.
 C. Body dimensions do not include mold flash or protrusion not to exceed 0,15.
 D. Falls within JEDEC MO-153

DGV (R-PDSO-G**)

PLASTIC SMALL-OUTLINE

24 PINS SHOWN

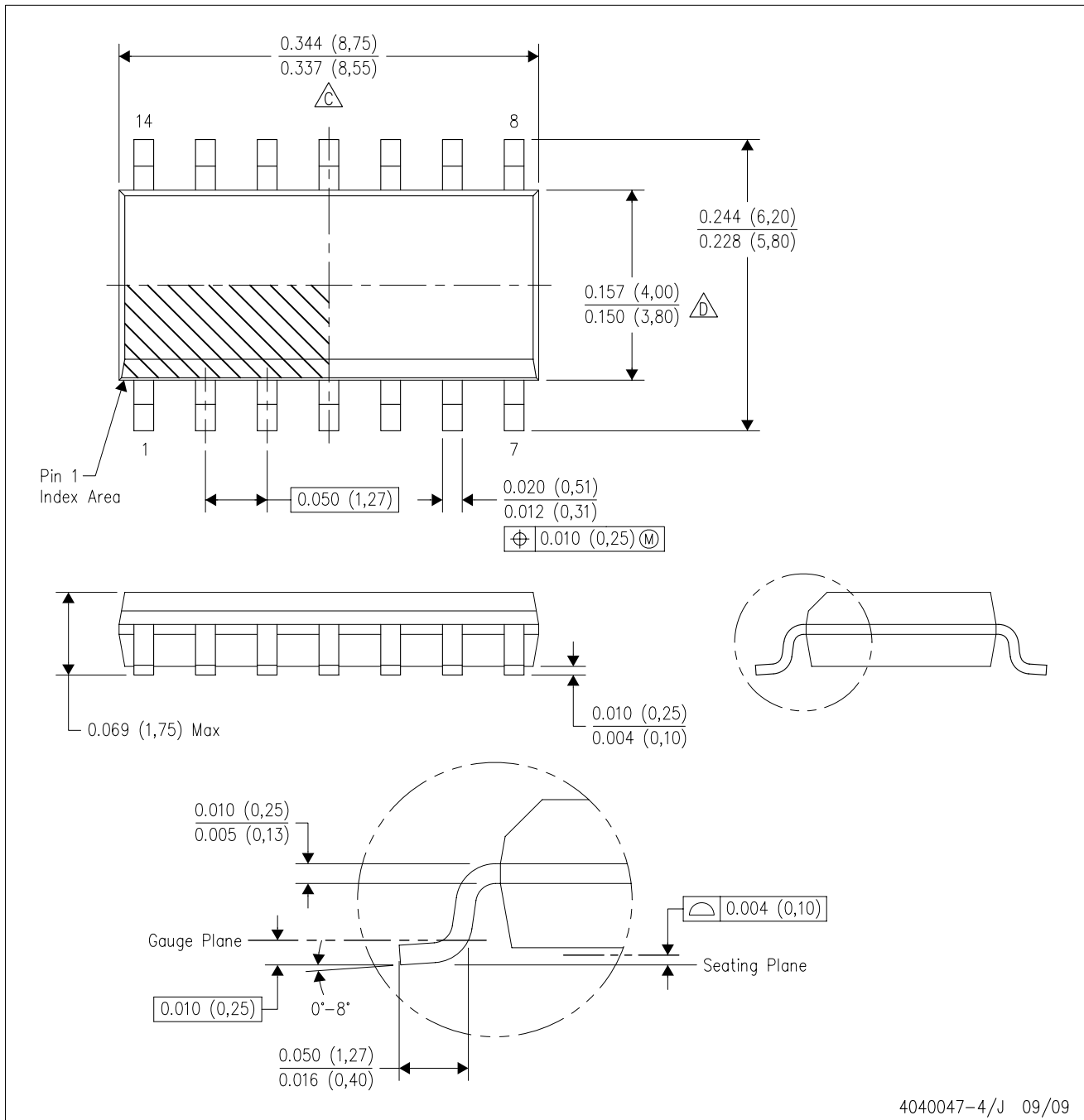


4073251/E 08/00

- NOTES: A. All linear dimensions are in millimeters.
 B. This drawing is subject to change without notice.
 C. Body dimensions do not include mold flash or protrusion, not to exceed 0,15 per side.
 D. Falls within JEDEC: 24/48 Pins – MO-153
 14/16/20/56 Pins – MO-194

D (R-PDSO-G14)

PLASTIC SMALL-OUTLINE PACKAGE



- NOTES:
- A. All linear dimensions are in inches (millimeters).
 - B. This drawing is subject to change without notice.
 - Body length does not include mold flash, protrusions, or gate burrs. Mold flash, protrusions, or gate burrs shall not exceed .006 (0,15) per end.
 - Body width does not include interlead flash. Interlead flash shall not exceed .017 (0,43) per side.
 - E. Reference JEDEC MS-012 variation AB.

IMPORTANT NOTICE

Texas Instruments Incorporated and its subsidiaries (TI) reserve the right to make corrections, modifications, enhancements, improvements, and other changes to its products and services at any time and to discontinue any product or service without notice. Customers should obtain the latest relevant information before placing orders and should verify that such information is current and complete. All products are sold subject to TI's terms and conditions of sale supplied at the time of order acknowledgment.

TI warrants performance of its hardware products to the specifications applicable at the time of sale in accordance with TI's standard warranty. Testing and other quality control techniques are used to the extent TI deems necessary to support this warranty. Except where mandated by government requirements, testing of all parameters of each product is not necessarily performed.

TI assumes no liability for applications assistance or customer product design. Customers are responsible for their products and applications using TI components. To minimize the risks associated with customer products and applications, customers should provide adequate design and operating safeguards.

TI does not warrant or represent that any license, either express or implied, is granted under any TI patent right, copyright, mask work right, or other TI intellectual property right relating to any combination, machine, or process in which TI products or services are used. Information published by TI regarding third-party products or services does not constitute a license from TI to use such products or services or a warranty or endorsement thereof. Use of such information may require a license from a third party under the patents or other intellectual property of the third party, or a license from TI under the patents or other intellectual property of TI.

Reproduction of TI information in TI data books or data sheets is permissible only if reproduction is without alteration and is accompanied by all associated warranties, conditions, limitations, and notices. Reproduction of this information with alteration is an unfair and deceptive business practice. TI is not responsible or liable for such altered documentation. Information of third parties may be subject to additional restrictions.

Resale of TI products or services with statements different from or beyond the parameters stated by TI for that product or service voids all express and any implied warranties for the associated TI product or service and is an unfair and deceptive business practice. TI is not responsible or liable for any such statements.

TI products are not authorized for use in safety-critical applications (such as life support) where a failure of the TI product would reasonably be expected to cause severe personal injury or death, unless officers of the parties have executed an agreement specifically governing such use. Buyers represent that they have all necessary expertise in the safety and regulatory ramifications of their applications, and acknowledge and agree that they are solely responsible for all legal, regulatory and safety-related requirements concerning their products and any use of TI products in such safety-critical applications, notwithstanding any applications-related information or support that may be provided by TI. Further, Buyers must fully indemnify TI and its representatives against any damages arising out of the use of TI products in such safety-critical applications.

TI products are neither designed nor intended for use in military/aerospace applications or environments unless the TI products are specifically designated by TI as military-grade or "enhanced plastic." Only products designated by TI as military-grade meet military specifications. Buyers acknowledge and agree that any such use of TI products which TI has not designated as military-grade is solely at the Buyer's risk, and that they are solely responsible for compliance with all legal and regulatory requirements in connection with such use.

TI products are neither designed nor intended for use in automotive applications or environments unless the specific TI products are designated by TI as compliant with ISO/TS 16949 requirements. Buyers acknowledge and agree that, if they use any non-designated products in automotive applications, TI will not be responsible for any failure to meet such requirements.

Following are URLs where you can obtain information on other Texas Instruments products and application solutions:

Products

| | |
|-----------------------------|--|
| Amplifiers | amplifier.ti.com |
| Data Converters | dataconverter.ti.com |
| DLP® Products | www.dlp.com |
| DSP | dsp.ti.com |
| Clocks and Timers | www.ti.com/clocks |
| Interface | interface.ti.com |
| Logic | logic.ti.com |
| Power Mgmt | power.ti.com |
| Microcontrollers | microcontroller.ti.com |
| RFID | www.ti-rfid.com |
| RF/IF and ZigBee® Solutions | www.ti.com/lprf |

Applications

| | |
|--------------------|--|
| Audio | www.ti.com/audio |
| Automotive | www.ti.com/automotive |
| Broadband | www.ti.com/broadband |
| Digital Control | www.ti.com/digitalcontrol |
| Medical | www.ti.com/medical |
| Military | www.ti.com/military |
| Optical Networking | www.ti.com/opticalnetwork |
| Security | www.ti.com/security |
| Telephony | www.ti.com/telephony |
| Video & Imaging | www.ti.com/video |
| Wireless | www.ti.com/wireless |

Mailing Address: Texas Instruments, Post Office Box 655303, Dallas, Texas 75265
Copyright © 2009, Texas Instruments Incorporated