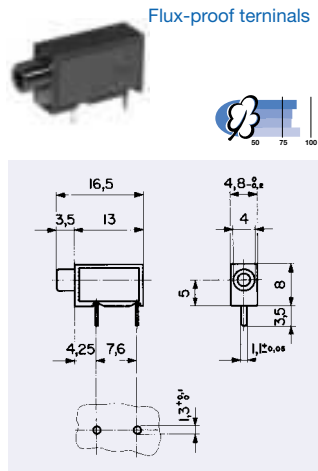
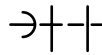


PCB mounting



Contact system



Rated current	6,3 A
---------------	-------

Contact resistance at 20 mV	<10 mΩ
-----------------------------	--------

Insulation resistance, 1 min. contact to contact	> 10 ⁴ MΩ
--	----------------------

Contact/mounting plate	> 10 ⁴ MΩ
------------------------	----------------------

Dielectric strength, 50 Hz, 1 min. contact to contact	> 2 kV
---	--------

Contact/mounting plate	> 2 kV
------------------------	--------

Temperature at no current	-25 °C up to +100 °C
at rated current	-25 °C up to +70 °C

Solderability	2 sec., 235 °C IEC 68-2-20 test Ta, test method 1
---------------	---

Resistance to soldering heat	5 sec., 260 °C IEC 68-2-20 test Tb, test method 1 A
------------------------------	---

Surface of contacts (average thickness)	2,5 µm Au, with nickel underplating
---	-------------------------------------

Tin-plated contacts on request

Type	PBD	
Order No.	0040.1211	black
Color	0040.1212	red
	0040.1213	green
	0040.1214	blue
	0040.1215	yellow