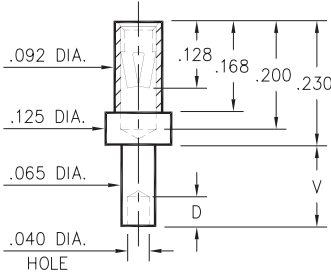


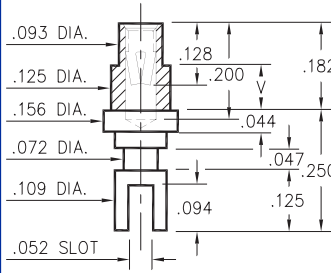
0344



Basic Part Number	Board Thickness	Length V	Depth D
0344-1	.031	.062	.040
0344-2	.062	.094	.062
0344-3	.094	.125	.062
0344-4	.125	.156	.062

0344-X-19-XX-34-XX-10-0
Swage mount in .067 hole

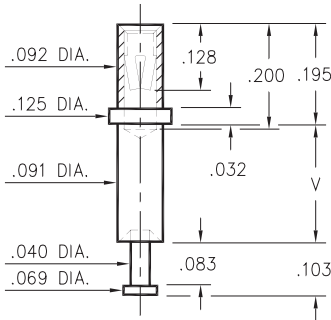
0349



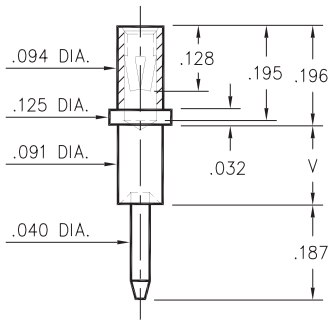
Basic Part Number	Board Thickness	Length V
0349-2	.062	.094
0349-3	.094	.125
0349-4	.125	.156

0349-X-31-XX-34-XX-10-0
Swage mount in .129 hole

0323/0324



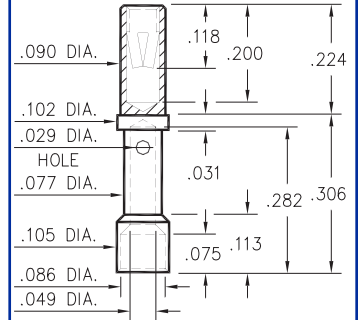
0323-X-15-XX-34-XX-10-0
Swage mount in .094 hole



0324-X-15-XX-34-XX-10-0
Swage mount in .094 hole

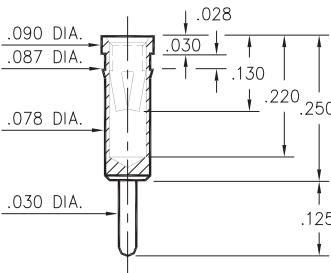
Basic Part Number	Board Thickness	Length V
032X-1	.031	.062
032X-2	.062	.094
032X-3	.094	.125
032X-4	.125	.156
032X-5	.188	.219

0348



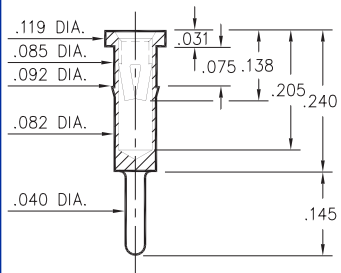
0348-0-33-XX-34-XX-10-0
#20A Crimp Barrel

0405



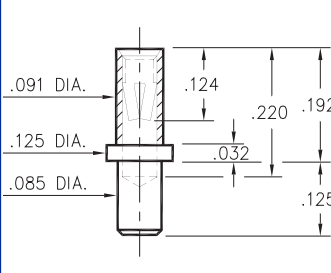
0405-0-15-XX-34-XX-04-0
Press-fit in .084 mounting hole

0336



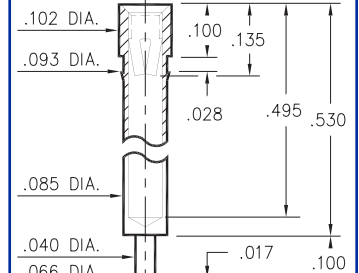
0336-0-15-XX-34-XX-04-0
Press-fit in .089 mounting hole

0322



0322-0-15-XX-34-XX-10-0
Solder mount in .089 min. mounting hole

0325



0325-0-15-XX-34-XX-10-0
Press-fit in .090 mounting hole

SPECIFICATIONS

SHELL MATERIAL:
Brass Alloy 360, 1/2 Hard

CONTACT MATERIAL:
Beryllium Copper Alloy 172, HT

DIMENSION IN INCHES
TOLERANCES ON:
LENGTHS: ±.005
DIAMETERS: ±.002
ANGLES: ± 2°

ORDER CODE: XXXX - X - XX - XX - 34 - XX - XX - 0

BASIC PART # →

SPECIFY SHELL FINISH:

- 01 200μ" TIN/LEAD OVER NICKEL
- 80 200μ" TIN OVER NICKEL ◊
- 15 10μ" GOLD OVER NICKEL ◊

SPECIFY CONTACT FINISH:

- 01 200μ" TIN/LEAD OVER NICKEL
- 80 200μ" TIN OVER NICKEL ◊
- 27 30μ" GOLD OVER NICKEL ◊



CONTACT

#34 CONTACT (DATA ON PAGE 212)