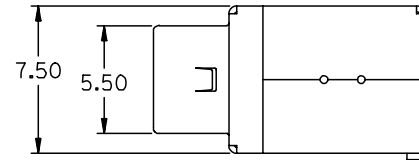


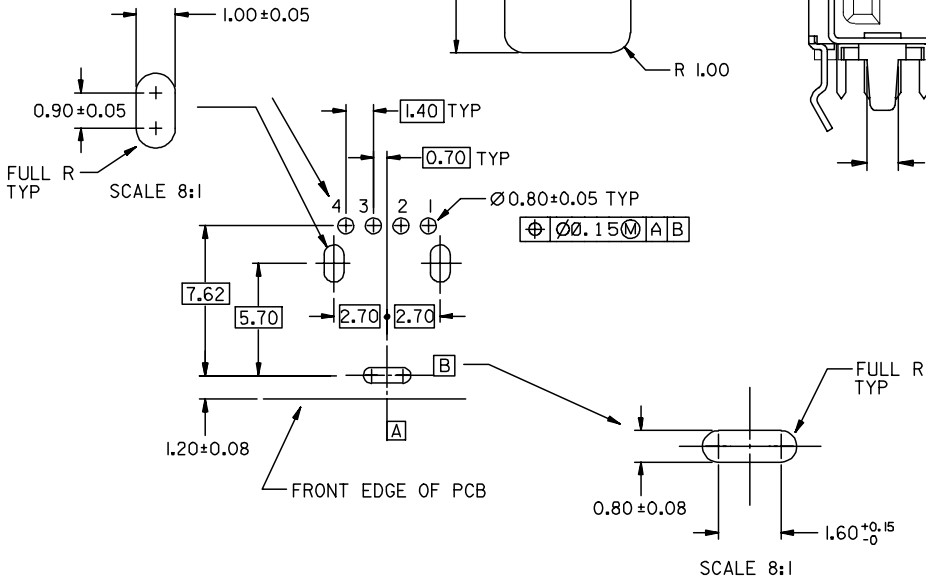
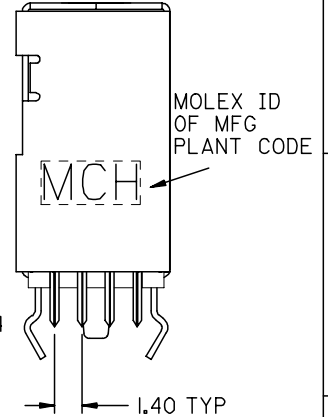
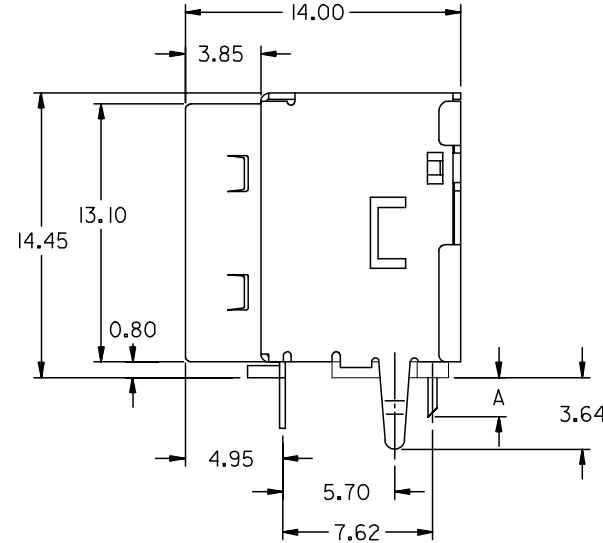
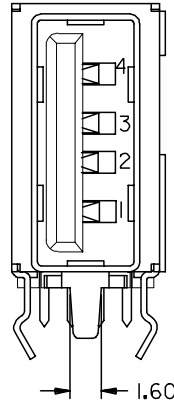
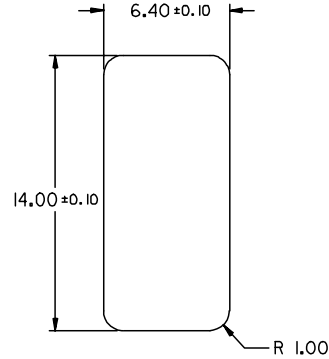
NOTES :

- MATERIAL :
HOUSING : HIGH TEMPERATURE NYLON , GLASS FIBRE FILLED, UL94-V0 , COLOR: BLACK
TERMINAL : PHOSPHOR BRONZE
METAL SHELL : DEEP DRAWN STEEL
- PLATING :
TERMINAL :
CONTACT AREA : (a) GOLD FLASH,
(b) GOLD (Au), THICKNESS = 30 MICROINCH MINIMUM.
SOLDER TAIL :
PURE TIN THICKNESS= 75 MICROINCH MINIMUM .
UNDER PLATE : NICKEL (Ni), THICKNESS= 50 MICROINCH MINIMUM.
METAL SHELL :
TIN (Sn) ALLOY , THICKNESS= 100 MICROINCH MINIMUM.
UNDER PLATE : NICKEL (Ni), THICKNESS= 50 MICROINCH MINIMUM.
- RECOMMENDED PCB THICKNESS : 1.60±0.05 mm
- PRODUCT SPECIFICATION : REFER TO PS-89485
- TRAY PACKAGING SPECIFICATION REFER TO : PK-89485-002
TUBE PACKAGING SPECIFICATION REFER TO : PK-89485-001
TUBE PACKAGING P/N, PLEASE REFER TO SHEET 2,3

| DIMENSION "A" | P/N FOR TRAY PACKING | |
|--|----------------------|--|
| 2.00 ^{+0.35} _{-0.15} | 89485-8000 | GOLD FLASH PLATING ON CONTACT AREA |
| | 89485-8001 | 30 MICRO INCH GOLD PLATING ON CONTACT AREA |
| 2.50 ^{+0.35} _{-0.10} | 89485-8002 | GOLD FLASH PLATING ON CONTACT AREA |
| | 89485-8003 | 30 MICRO INCH GOLD PLATING ON CONTACT AREA |



Recommended Panel Opening



| | | | | | | | | |
|--|--|--|--|--|---------------------------|---------------------------------|---|--|
| | | | | | MATERIAL : | SEE NOTE | MOLEX TAIWAN LTD. SHEET 1 OF 3 | |
| | | | | | FINISH : | SEE NOTE | | |
| | | | | | WIRE RANGE : | N/A | GENERAL TOLERANCES ANGLE : ± 3° DIM : ± .25/.010 | |
| | | | | | INS. RANGE : | N/A | ENG. NO.: SD-89485-003 | |
| | | | | | | | REV A | |
| | | | | | LTR | REVISION RECORD | ECN | |
| | | | | | | DR | DATE | |
| | | | | | | DRAWN BY DAVID HUI 2004/11/5 | CHK'D BY | |
| | | | | | | APPR'D BY | SCALE 4:1 | |
| | | | | | REVISE ONLY ON CAD SYSTEM | | | TITLE : SINGLE PORT UP-RIGHT USB CONNECTOR (LEAD-FREE) |

8 7 6 5 4 3 2 1

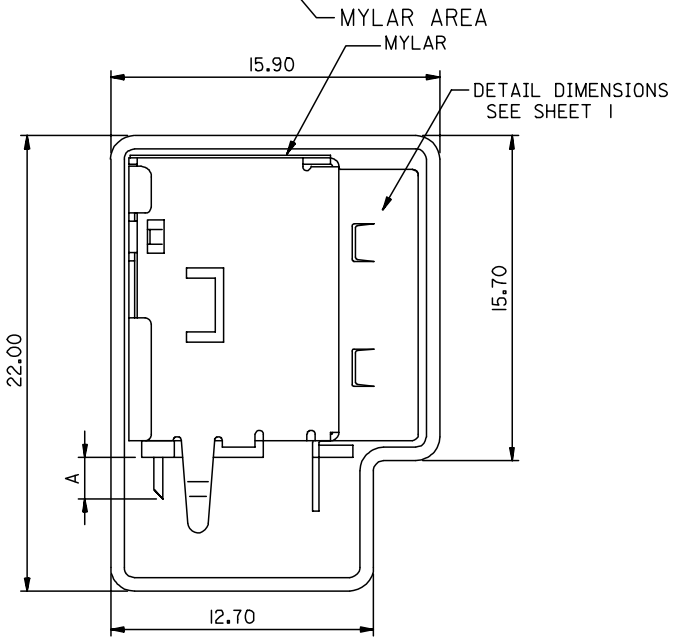
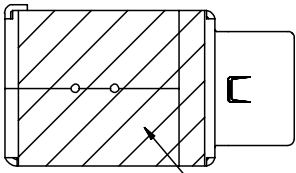
ENG. NO

EDP NO.

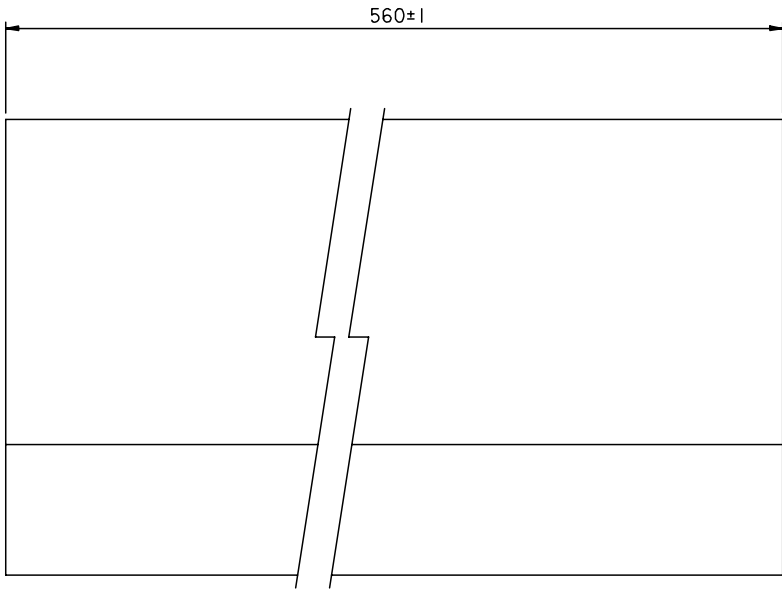
SIMILAR ITEM

CADFILE NO.

DO NOT SCALE DRAWING



NOTE:
 1.DETAIL DIMENSIONS , PLEASE REFER TO SHEET 1 OF SD-89485-003
 2.THE TUBE PACKAGE INCLUDE TWO PLUGS ON RIGHT AND LEFT SIDES.
 3.TUBE PACKAGING SPECIFICATION REFER TO: PK-89485-001



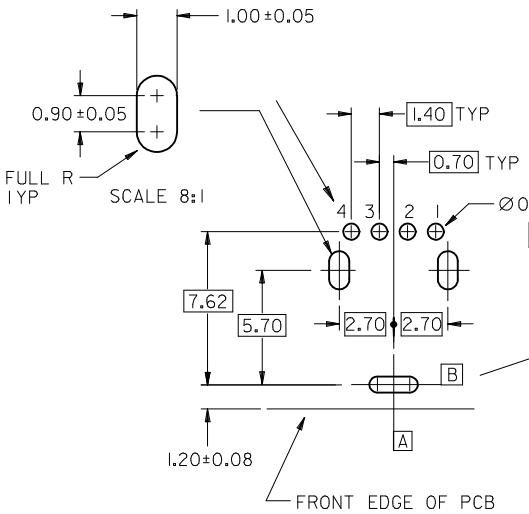
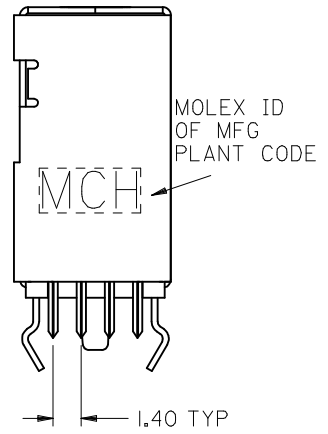
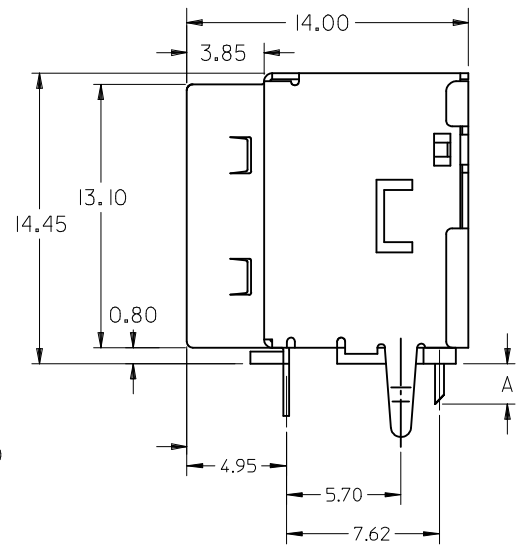
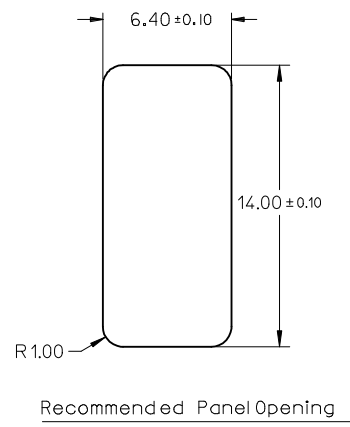
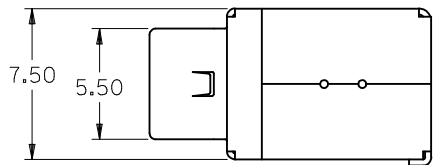
PART NUMBER LEGEND:

| P/N FOR TUBE PACKING AND MYLAR ADDITION | | | |
|---|--|--|--|
| MATERIAL NUMBER | DIMENSION 'A' | PLATING SPECIFICATION | |
| WITH MYLAR | 2.00 ^{+0.35} _{-0.15} | GOLD FLASH PLATING ON CONTACT AREA | |
| | | 30 MICRO INCH GOLD PLATING ON CONTACT AREA | |
| | 2.50 ^{+0.35} _{-0.10} | GOLD FLASH PLATING ON CONTACT AREA | |
| | | 30 MICRO INCH GOLD PLATING ON CONTACT AREA | |

| | | | | | | | | | |
|--|--|--|-------|--|---|---|--|---------|-----|
| NEW RELEASE EC NO. DRAWN: DAVID HU 2004/10/28 CHK: APPR: | QUALITY SYMBOLS MAJOR = 0 CRITICAL = 0 | GENERAL TOLERANCES: (UNLESS SPECIFIED) | | SCALE 4 : 1 | DESIGN UNITS <input checked="" type="checkbox"/> mm <input type="checkbox"/> INCH | THIRD ANGLE PROJECTION <input type="checkbox"/> mm <input checked="" type="checkbox"/> INCH | DIMENSIONS: <input type="checkbox"/> mm <input type="checkbox"/> INCH <input checked="" type="checkbox"/> mm ONLY | SHT | REV |
| | | 4 PLACES ± . | ± . | DRAWN BY & DATE DAVID HU 2004/10/28 | | TITLE: USB A UPRIGHT 89485 WITH MYLAR BY TUBE PACKAGE (LEAD-FREE) | | | |
| | | 3 PLACES ± . | ± . | CHECKED BY & DATE | | | | | |
| | | 2 PLACES ±0.25 | ±0.10 | APPROVED BY & DATE | | MATERIAL NO. SEE TABLE | | | |
| 1 PLACE ±0.25 | ±0.10 | ANGULAR: ±3° | | CAD FILENAME S8948503.S02 | DRAWING NO. SD-89485-003 | SHEET NO. 2 | THIS DRAWING CONTAINS INFORMATION THAT IS PROPRIETARY TO MOLEX INCORPORATED AND SHOULD NOT BE USED WITHOUT WRITTEN PERMISSION. | | |
| DRAFT WHERE APPLICABLE MUST REMAIN WITHIN DIMENSIONS | | | | | | | | SIZE A3 | |

| DIMENSION "A" | P/N | PLATING | TERMINAL CONTACT PLATING | TERMINAL SOLDER PLATING | METAL SHELL PLATING |
|--|------------|------------------|--------------------------|--------------------------|---------------------------|
| 2.00 ^{+0.35} _{-0.15} | 89485-8000 | SEE NOTES(a)+(d) | GOLD FLASH | 75 MICRO INCH BRIGHT TIN | 100 MICRO INCH BRIGHT TIN |
| | 89485-8001 | SEE NOTES(b)+(d) | 30 MICRO INCH GOLD | | |
| 2.50 ^{+0.35} _{-0.10} | 89485-8002 | SEE NOTES(a)+(d) | GOLD FLASH | 75 MICRO INCH MATTE TIN | 100 MICRO INCH MATTE TIN |
| | 89485-8003 | SEE NOTES(b)+(d) | 30 MICRO INCH GOLD | | |
| | 89485-8012 | SEE NOTES(c)+(e) | GOLD FLASH | | |

NOTE:
 1.MATERIAL:
 HOUSING:HIGH TEMPERATURE NYLON,GLASS FIBRE FILLED,UL94-V0,COLOR:BLACK
 TERMINAL:PHOSPHOR BRONZE
 METAL SHELL:DEEP DRAWN STEEL
 2.PLATING:
 TERMINAL:
 (a)GOLD FLASH ON THE CONTACT AREA,AND 75MICROINCH MINIMUM PURE TIN ON SOLDER TAIL, UNDER 50MICROINCH MINIMUM Ni PLATE.
 (b)30MICROINCH MINIMUM GOLD(Au) ON THE CONTACT AREA, AND 75MICROINCH MINIMUM PURE TIN ON SOLDER TAIL,UNDER 50MICROINCH MINIMUM Ni UNDER PLATE.
 (c)GOLD FLASH ON THE CONTACT AREA,AND 75MICROINCH MINIMUM MATTE TIN ON SOLDER TAIL,UNDER 50MICROINCH MINIMUM Ni PLATE.
 METAL SHELL:
 (d)100MICROINCH MINIMUM BRIGHT TIN ON THE METAL SHELL,AND 50MICROINCH MINIMUM Ni AND 100MICROINCH MINIMUM Cu PLATE.
 (e)100MICROINCH MINIMUM MATTE TIN ON THE METAL SHELL,AND 50MICROINCH MINIMUM Ni AND 100MICROINCH MINIMUM Cu PLATE.
 3.RECOMMENDED PCB THICKNESS:1.60 ±0.05mm
 4.PRODUCT SPECIFICATION:REFER TO PS-89485
 5. TRAY PACKAGING SPECIFICATION REFER TO:PK-89485-002
 TUBE PACKAGING SPECIFICATION REFER TO:PK-89485-001
 TUBE PACKAGING P/N,PLEASE REFER TO:SHEET2,3



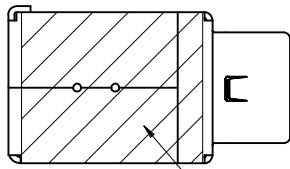
| | |
|--|-----------------|
| NEW RELEASE EC NO: SH2009-0233 DR:WINEZHAO 2008/12/02 CHKD:RZHANG 2008/12/12 APPR:HWANG 2008/12/17 | DESCRIPTION |
| | REV |
| | QUALITY SYMBOLS |
| | REV |

| | |
|-----------------|--|
| QUALITY SYMBOLS | GENERAL TOLERANCES (UNLESS SPECIFIED) |
| ▽=0 | mm INCH |
| ∇=0 | 4 PLACES ± --- ± --- |
| | 3 PLACES ± --- ± --- |
| | 2 PLACES ± 0.25 ± .010 |
| | 1 PLACE ± 0.25 ± .010 |
| | ANGULAR ± 3 ° |
| | DRAFT WHERE APPLICABLE MUST REMAIN WITHIN DIMENSIONS |

| | |
|-----------------|---|
| DIMENSION STYLE | |
| MM ONLY | |
| DRAWN BY | DATE |
| DAVID HU | |
| CHECKED BY | DATE |
| APPROVED BY | DATE |
| MATERIAL NO. | DOCUMENT NO. |
| SEE TABLE | SD-89485-003 |
| SIZE | THIS DRAWING CONTAINS INFORMATION THAT IS PROPRIETARY TO MOLEX INCORPORATED AND SHOULD NOT BE USED WITHOUT WRITTEN PERMISSION |
| A3 | |

| | | |
|--|--------------|------------------------|
| SCALE | DESIGN UNITS | THIRD ANGLE PROJECTION |
| 4:1 | METRIC | |
| TITLE | | |
| SINGLE PORT UP-RIGHT USB CONNECTOR LEAD-FREE | | |
| MOLEX INCORPORATED | | |
| DOCUMENT NO. | | SHEET NO. |
| SD-89485-003 | | 1 OF 3 |

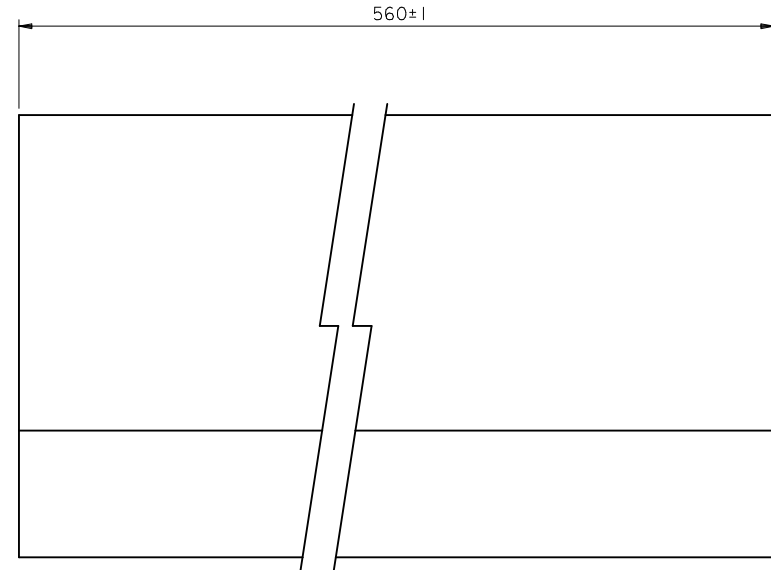
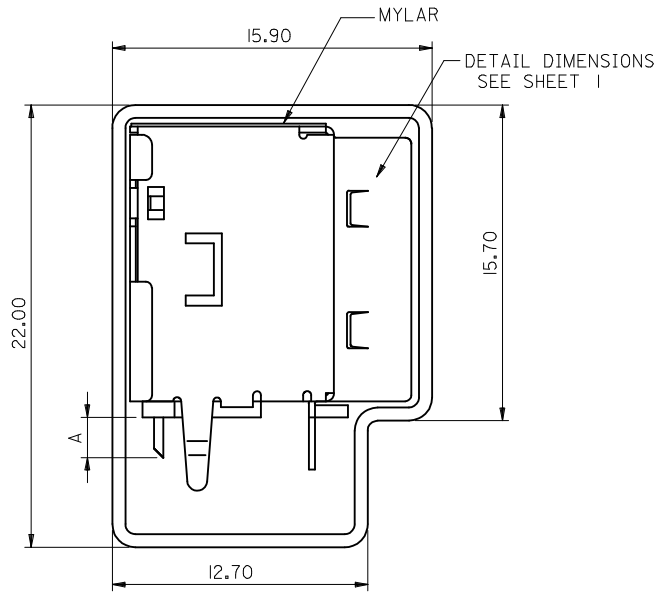
10 9 8 7 6 5 4 3 2 1



MYLAR AREA

NOTE:

1. DETAIL DIMENSIONS, PLEASE REFER TO SHEET 1 OF SD-89485-003
2. THE TUBE PACKAGE INCLUDE TWO PLUGS ON RIGHT AND LEFT SIDES.
3. TUBE PACKAGING SPECIFICATION REFER TO: PK-89485-001



PART NUMBER LEGEND:

| P/N FOR TUBE PACKING AND MYLAR ADDITION | | | |
|---|---------------|--|--|
| MATERIAL NUMBER | DIMENSION 'A' | PLATING SPECIFICATION | |
| WITH MYLAR | 89485-8100 | 2.00 ^{+0.35} _{-0.15} | GOLD FLASH PLATING ON CONTACT AREA |
| | 89485-8101 | | 30 MICRO INCH GOLD PLATING ON CONTACT AREA |
| | 89485-8102 | 2.50 ^{+0.35} _{-0.10} | GOLD FLASH PLATING ON CONTACT AREA |
| | 89485-8103 | | 30 MICRO INCH GOLD PLATING ON CONTACT AREA |

| | | |
|---|------------|-------------------------------|
| NEW RELEASE EC NO: SH2009-0233 DR: WINEZHAO CH: KD-RZHANG APPR: HWANG | 2008/12/02 | QUALITY SYMBOLS ▽=0 ▽=0 |
| | 2008/12/12 | |
| | 2008/12/17 | |
| | REV | |

| | GENERAL TOLERANCES (UNLESS SPECIFIED) | |
|---|---------------------------------------|--------|
| | mm | INCH |
| 4 PLACES | ± --- | ± --- |
| 3 PLACES | ± --- | ± --- |
| 2 PLACES | ± 0.25 | ± .010 |
| 1 PLACE | ± 0.25 | ± .010 |
| ANGULAR ± 3 ° | | |
| DRAFT WHERE APPLICABLE MUST REMAIN WITHIN DIMENSIONS | | |

| DIMENSION STYLE | |
|-----------------|--------------|
| MM ONLY | |
| DRAWN BY | DATE |
| CHECKED BY | DATE |
| APPROVED BY | DATE |
| MATERIAL NO. | DOCUMENT NO. |
| SEE TABLE | |
| SIZE | A3 |

| SCALE | DESIGN UNITS | THIRD ANGLE PROJECTION |
|--|--------------|------------------------|
| 4:1 | METRIC | |
| SINGLE PORT UP-RIGHT USB CONNECTOR LEAD-FREE | | |
| MOLEX INCORPORATED | | SHEET NO. |
| SD-89485-003 | | 2 OF 3 |
| THIS DRAWING CONTAINS INFORMATION THAT IS PROPRIETARY TO MOLEX INCORPORATED AND SHOULD NOT BE USED WITHOUT WRITTEN PERMISSION | | |

9 8 7 6 5 4 3 2 1

10 9 8 7 6 5 4 3 2 1

F

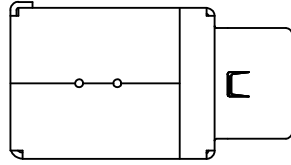
E

D

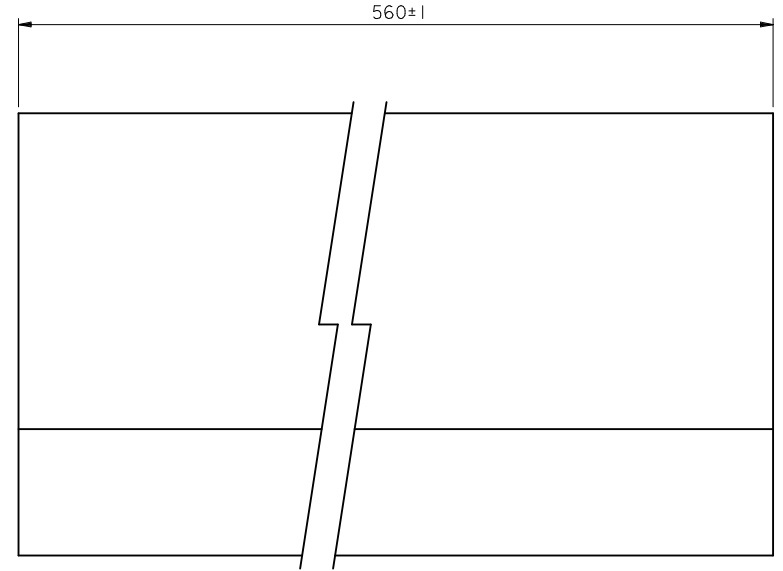
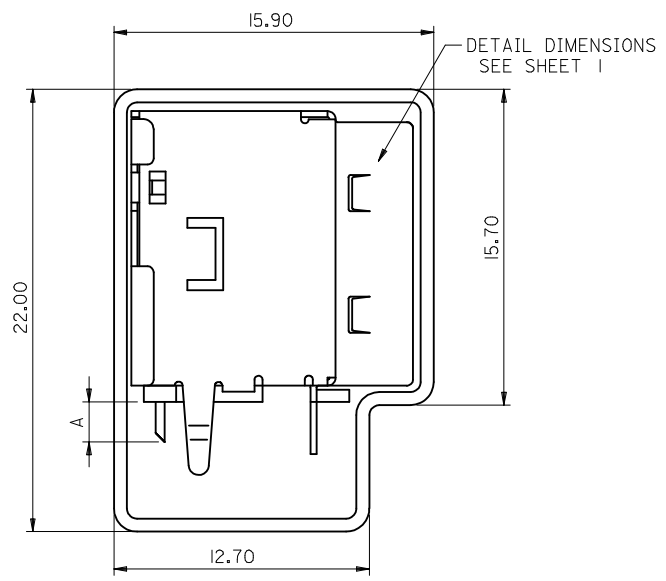
C

B

A



NOTE:
 1.DETAIL DIMENSIONS , PLEASE REFER TO SHEET 1 OF SD-89485-003
 2.THE TUBE PACKAGE INCLUDE TWO PLUGS ON RIGHT AND LEFT SIDES.
 3.TUBE PACKAGING SPECIFICATION REFER TO: PK-89485-001



PART NUMBER LEGEND:

| P/N FOR TUBE PACKING | | |
|----------------------|--|---|
| MATERIAL NUMBER | DIMENSION *A | PLATING SPECIFICATION |
| WITHOUT MYLAR | 2.00 ^{+0.35} _{-0.15} | 89485-8200 GOLD FLASH PLATING ON CONTACT AREA |
| | | 89485-8201 30 MICRO INCH GOLD PLATING ON CONTACT AREA |
| WITHOUT MYLAR | 2.50 ^{+0.35} _{-0.10} | 89485-8202 GOLD FLASH PLATING ON CONTACT AREA |
| | | 89485-8203 30 MICRO INCH GOLD PLATING ON CONTACT AREA |

NEW RELEASE
 EC NO: SH2009-0233
 DR:WNEZHAO 2008/12/02
 CHYKD:RZHANG 2008/12/12
 APPR:HWANG 2008/12/17

QUALITY SYMBOLS

GENERAL TOLERANCES (UNLESS SPECIFIED)

| | mm | INCH |
|----------|--------|--------|
| 4 PLACES | ± --- | ± --- |
| 3 PLACES | ± --- | ± --- |
| 2 PLACES | ± 0.25 | ± .010 |
| 1 PLACE | ± 0.25 | ± .010 |

ANGULAR ± 3 °

DRAFT WHERE APPLICABLE MUST REMAIN WITHIN DIMENSIONS

DIMENSION STYLE
MM ONLY

SCALE
4:1

DESIGN UNITS
METRIC

THIRD ANGLE PROJECTION

DRAWN BY DAVID HU
 CHECKED BY
 APPROVED BY
 MATERIAL NO.
SEE TABLE

TITLE
SINGLE PORT UP-RIGHT USB CONNECTOR LEAD-FREE

MOLEX INCORPORATED

DOCUMENT NO. SD-89485-003
 SHEET NO. 3 OF 3

THIS DRAWING CONTAINS INFORMATION THAT IS PROPRIETARY TO MOLEX INCORPORATED AND SHOULD NOT BE USED WITHOUT WRITTEN PERMISSION

9 8 7 6 5 4 3 2 1