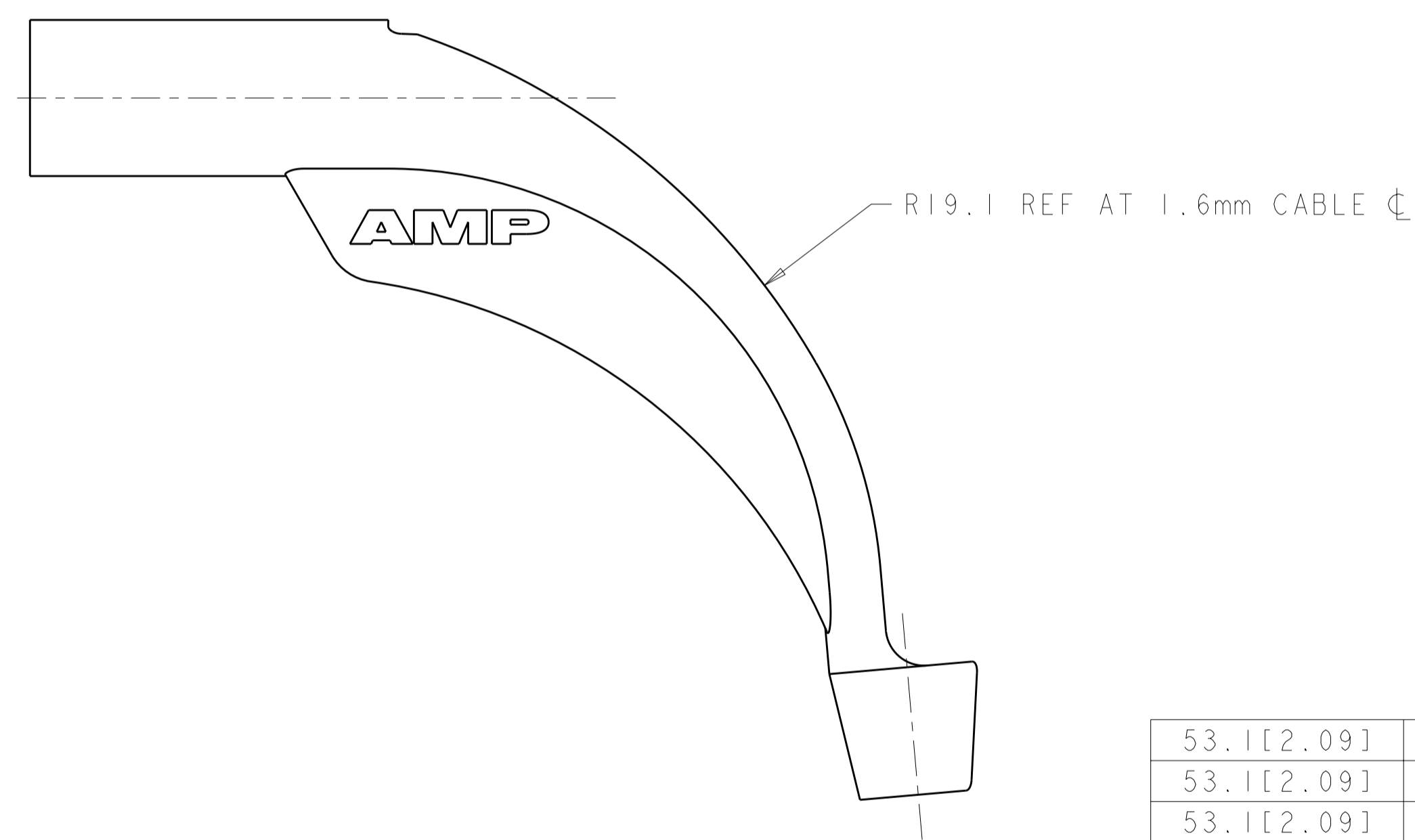
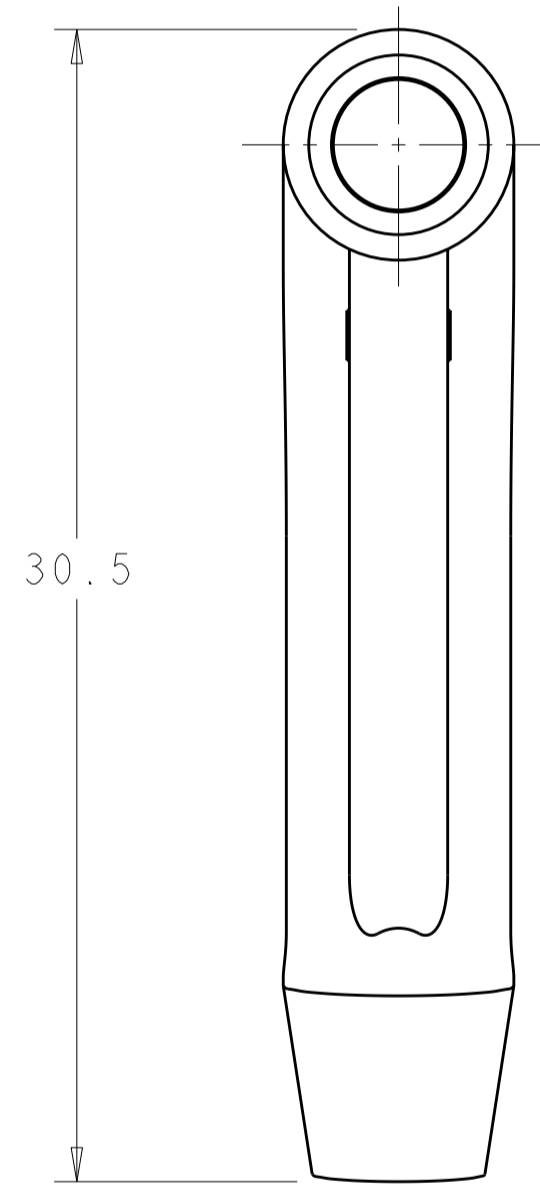
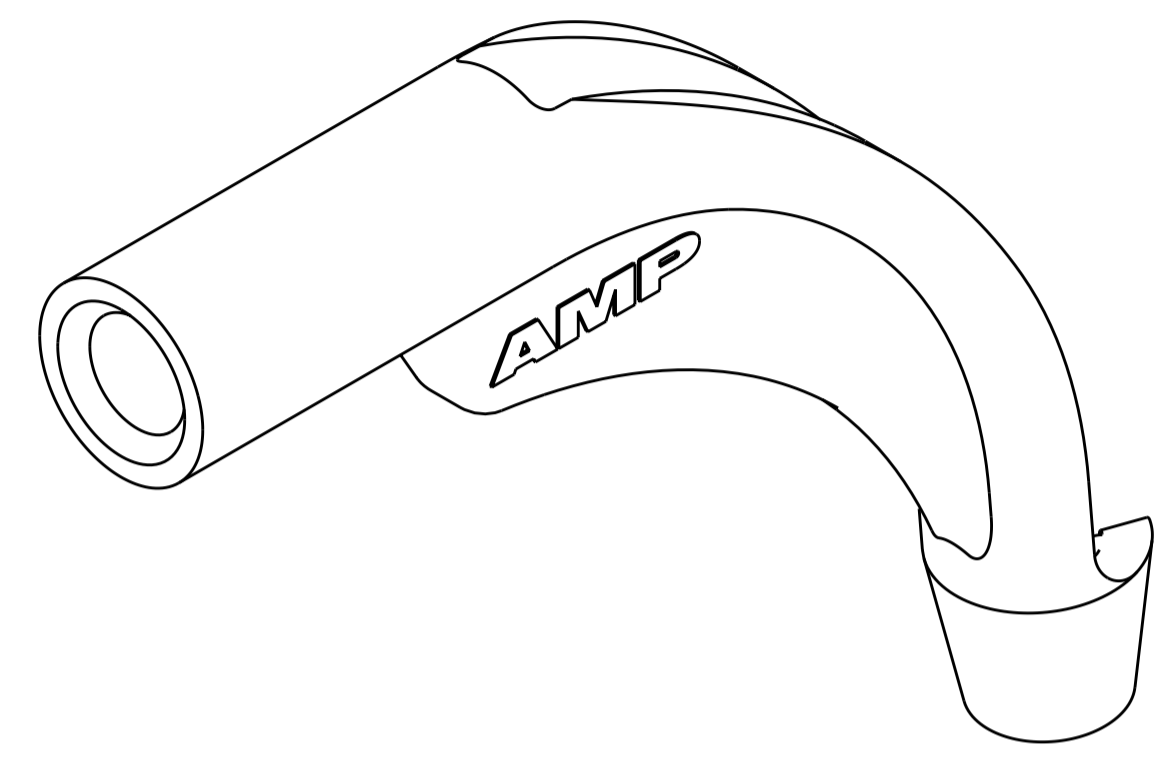
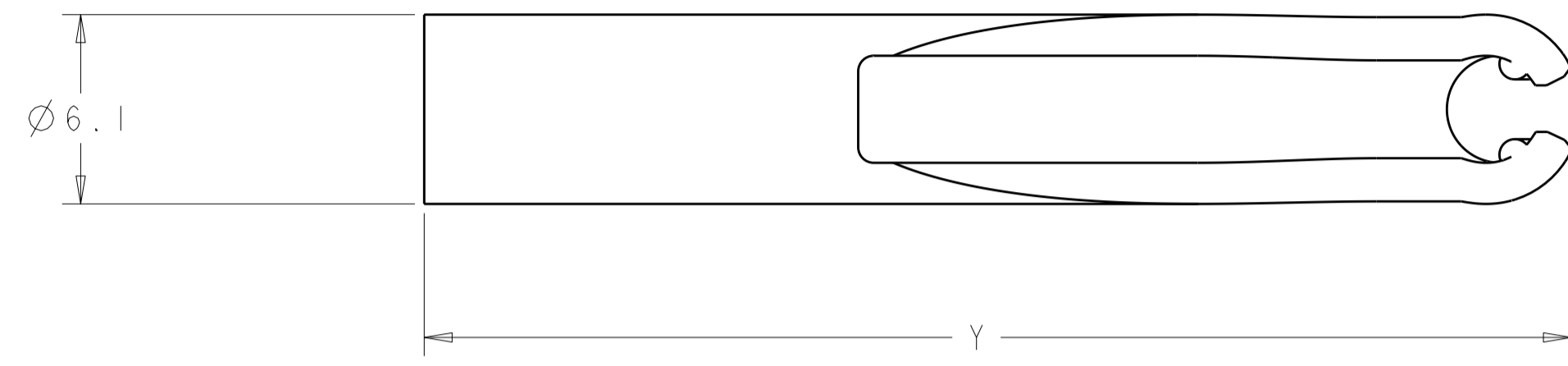


THIS DRAWING IS UNPUBLISHED. RELEASED FOR PUBLICATION  
 © COPYRIGHT BY TYCO ELECTRONICS CORPORATION. ALL INTERNATIONAL RIGHTS RESERVED.

LOC		DIST		REVISIONS			
P	LTR	DESCRIPTION	DATE	DWN	APVD		
	D	REV PER 0A00-0618-02	6-12-02	DDE	MG		
	E	REVISE PER ECR-05-006717	20JUL2005	BB	SB		
	F	ECR-07-002388	23FEB2007	DHR	DHR		
	F1	REV PER ECR-10-016231	09AUG2010	IL	CT		



53.1[2.09]	RED	DUPLEX	1-1374737-6
53.1[2.09]	BEIGE	DUPLEX	1-1374737-4
53.1[2.09]	BLUE	DUPLEX	1-1374737-3
37[1.46]	RED	SIMPLEX	1374737-4
37[1.46]	BLACK	SIMPLEX	1374737-3
37[1.46]	BEIGE	SIMPLEX	1374737-2
37[1.46]	BLUE	SIMPLEX	1374737-1
DIM Y	COLOR	DESCRIPTION	PART NO

⚠ MATERIAL: TPE, UL 94 V-0 RATED AT QUALIFYING THICKNESS, SEE TABLE FOR COLORS.

2. BULK PACKAGED.

THIS DRAWING IS A CONTROLLED DOCUMENT FOR TYCO ELECTRONICS CORPORATION. IT IS SUBJECT TO CHANGE AND THE CONTROLLING ENGINEERING ORGANIZATION SHOULD BE CONTACTED FOR THE LATEST REVISION.		DWN D. ERDMAN 9-05-00	Tyco Electronics Corporation Shanghai, China	
DIMENSIONS: mm		CHK M. GURRERI 9-05-00	NAME	
TOLERANCES UNLESS OTHERWISE SPECIFIED: 0 PLC ±0.1 1 PLC ±0.1 2 PLC ± 3 PLC ± 4 PLC ± ANGLES ± FINISH -		APVD S. BUCHTER 9-05-00	PRODUCT SPEC	
MATERIAL		APPLICATION SPEC	BOOT, OPEN ANGLED, 1.6-2.0mm REAR BODY	
⚠		WEIGHT	SIZE A2	RESTRICTED TO
CUSTOMER DRAWING		SCALE 5:1	DRAWING NO 1374737	SHEET OF REV 1 1 F1