

DETAIL X
SCALE 2:1

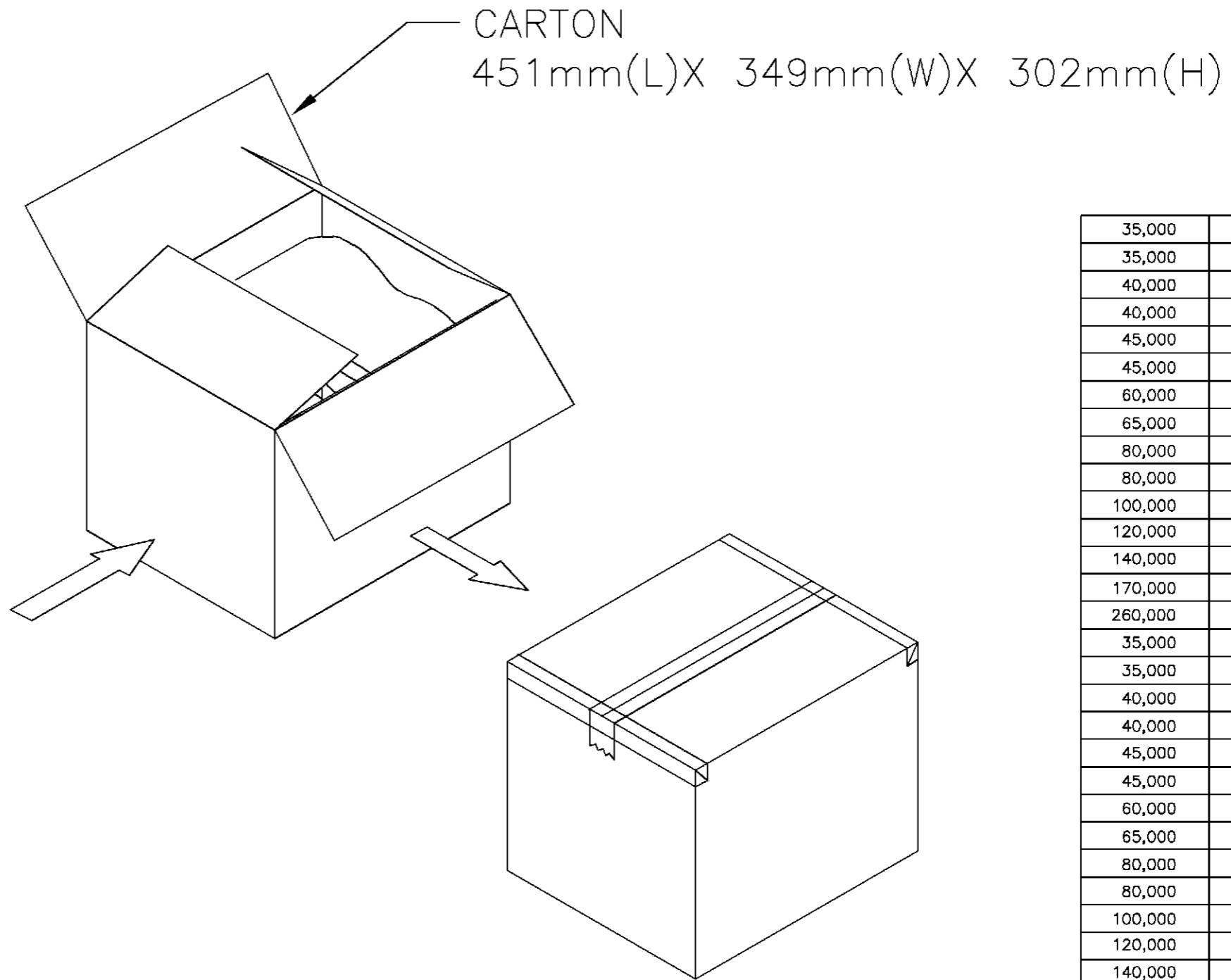
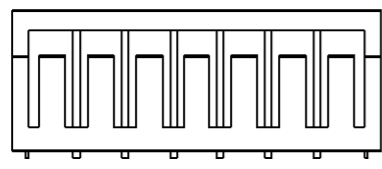
NOTE:
1. MATERIAL :
HOUSING : THERMOPLASTIC UL94V-0,
COLOR: SEE TABLE.

HOUSING COLOR	DIM. B	DIM. A	POS.	PART NUMBER
YELLOW	33.2	30.00±0.20	16	3-1470201-6
	31.2	28.00±0.20	15	3-1470201-5
	29.2	26.00±0.20	14	3-1470201-4
	27.2	24.00±0.20	13	3-1470201-3
	25.2	22.00±0.15	12	3-1470201-2
	23.2	20.00±0.15	11	3-1470201-1
	21.2	18.00±0.15	10	3-1470201-0
	19.2	16.00±0.15	9	2-1470201-9
	17.2	14.00±0.10	8	2-1470201-8
	15.2	12.00±0.10	7	2-1470201-7
	13.2	10.00±0.10	6	2-1470201-6
	11.2	8.00±0.08	5	2-1470201-5
	9.2	6.00±0.08	4	2-1470201-4
	7.2	4.00±0.05	3	2-1470201-3
	5.2	2.00±0.05	2	2-1470201-2
	NATURAL	33.2	30.00±0.20	16
31.2		28.00±0.20	15	1-1470201-5
29.2		26.00±0.20	14	1-1470201-4
27.2		24.00±0.20	13	1-1470201-3
25.2		22.00±0.15	12	1-1470201-2
23.2		20.00±0.15	11	1-1470201-1
21.2		18.00±0.15	10	1-1470201-0
19.2		16.00±0.15	9	1470201-9
17.2		14.00±0.10	8	1470201-8
15.2		12.00±0.10	7	1470201-7
13.2		10.00±0.10	6	1470201-6
11.2		8.00±0.08	5	1470201-5
9.2		6.00±0.08	4	1470201-4
7.2		4.00±0.05	3	1470201-3
5.2		2.00±0.05	2	1470201-2

REV	DESCRIPTION	DATE	BY	CHK
B	ADD PART NUMBERS	FZ00-0228-02	OH	JC
A	DELETE PART NUMBER	FZ00-0179-02	OH	JC
O	FIRST RELEASED	FZ00-0155-02	OH	JC
LTR	REVISION RECORD	ECN	DWN	CHK

DIMENSION : 0 PLC ± 1 PLC ±0.20 2 PLC ±0.10 3 PLC ±0.05 ANGLES ±		DWN O. HU 25-OCT-2002 CHK J. CHENG 25-OCT-2002		tyco Electronics TYCO HOLDINGS (BERMUDA) VII LTD. TAIWAN BRANCH	
MATERIAL		APVD J. WU 25-OCT-2002		NAME	
SEE NOTE		PRODUCT SPEC 108-57158		2.0 MM PITCH, CRIMP, VERTICAL HOUSING.	
FINISH		QUALIFICATION TEST REPORT 501-57248		LOC DW	SIZE A ₃
SEE NOTE		WEIGHT		DRAWING NO C-1470201	
				SHEET 1 OF 2	

POLY BAG



CARTON
451mm(L)X 349mm(W)X 302mm(H)

35,000	1000	3-1470201-6
35,000	1000	3-1470201-5
40,000	1000	3-1470201-4
40,000	1000	3-1470201-3
45,000	1000	3-1470201-2
45,000	1000	3-1470201-1
60,000	1000	3-1470201-0
65,000	1000	2-1470201-9
80,000	1000	2-1470201-8
80,000	1000	2-1470201-7
100,000	1000	2-1470201-6
120,000	1000	2-1470201-5
140,000	1000	2-1470201-4
170,000	1000	2-1470201-3
260,000	1000	2-1470201-2
35,000	1000	1-1470201-6
35,000	1000	1-1470201-5
40,000	1000	1-1470201-4
40,000	1000	1-1470201-3
45,000	1000	1-1470201-2
45,000	1000	1-1470201-1
60,000	1000	1-1470201-0
65,000	1000	1470201-9
80,000	1000	1470201-8
80,000	1000	1470201-7
100,000	1000	1470201-6
120,000	1000	1470201-5
140,000	1000	1470201-4
170,000	1000	1470201-3
260,000	1000	1470201-2
APQ (PCS/CARTON)	PPQ (PCS/BAG)	PART NUMBER

DIMENSION :	DWN	O. HU	tyco TYCO HOLDINGS (BERMUDA)	
0 PLC ±		25-OCT-2002	VII LTD. TAIWAN BRANCH	
1 PLC ±	CHK	J. CHENG	Electronics	
2 PLC ±		25-OCT-2002	NAME	
3 PLC ±			2.0 MM PITCH, CRIMP, VERTICAL HOUSING.	
ANGLES ±'				
MATERIAL	APVD	J. WU	LOC	SIZE
SEE NOTE		25-OCT-2002	DW	A ₃
	PRODUCT SPEC		DRAWING NO	REV
			C-1470201	B
FINISH	APPLICATION SPEC		SCALE	SHEET
SEE NOTE			--	2 OF 2
	WEIGHT			

SEE SHEET 1.			
LTR	REVISION RECORD	ECN	DWN/CHK/DATE