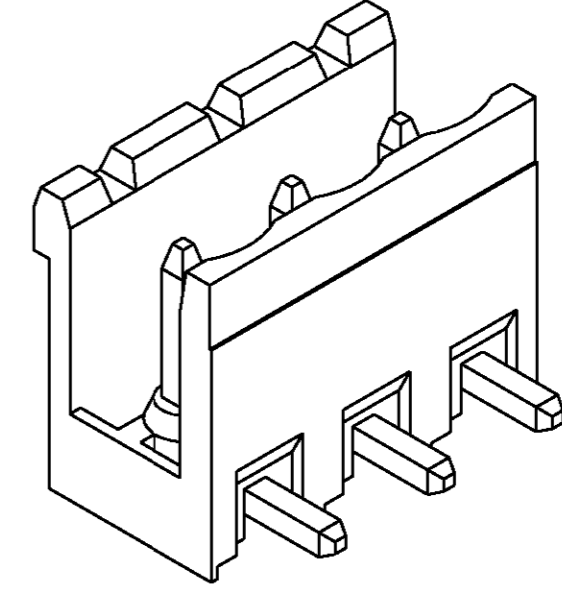
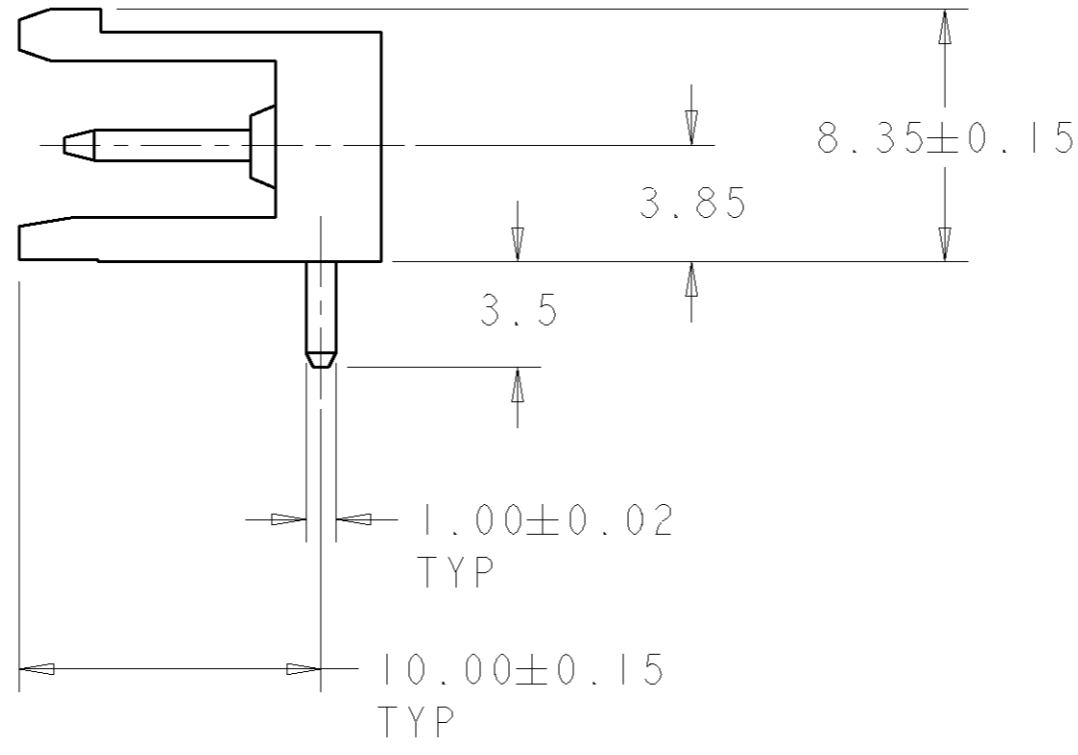
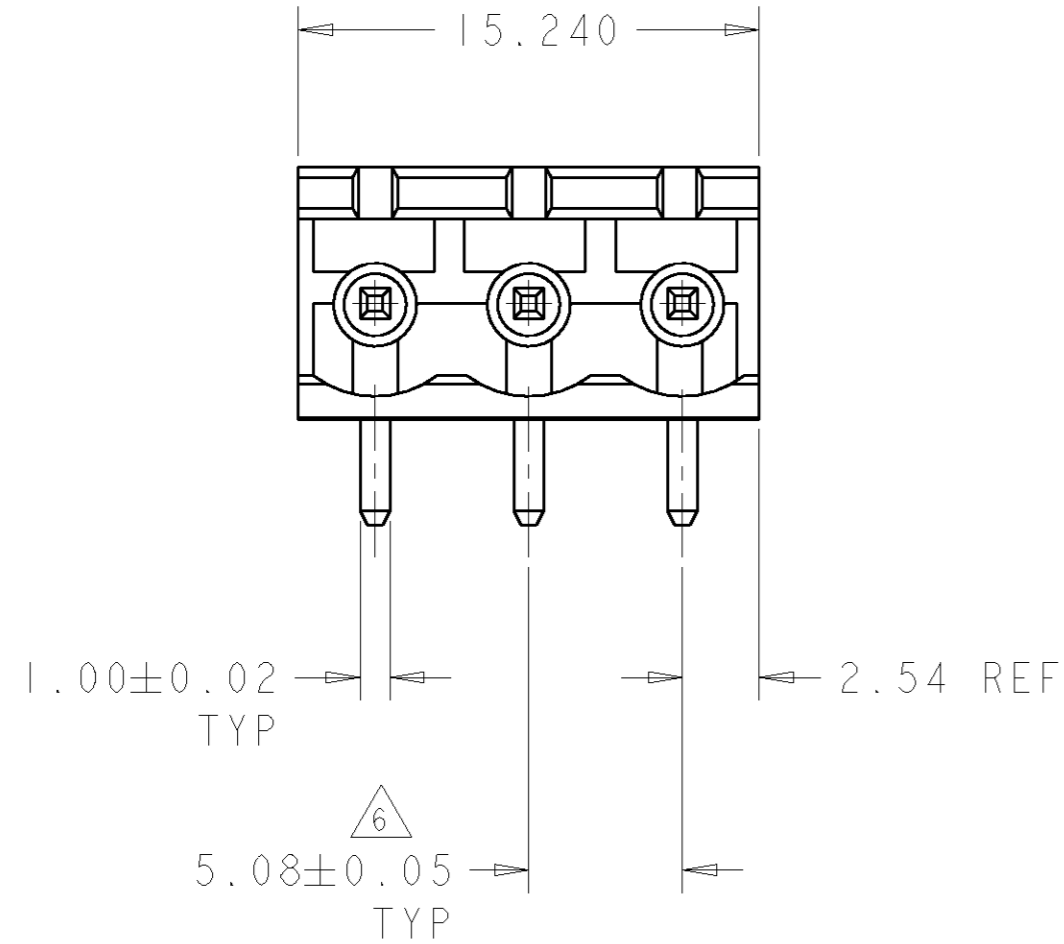
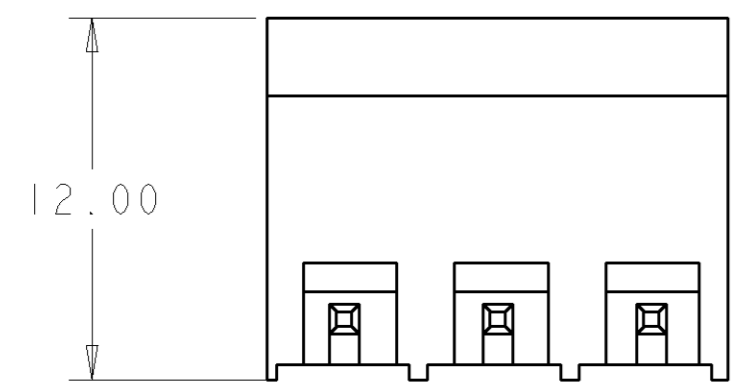


THIS DRAWING IS UNPUBLISHED. RELEASED FOR PUBLICATION 20  
 © COPYRIGHT 20 BY TYCO ELECTRONICS CORPORATION. ALL RIGHTS RESERVED.

LOC	DIST	REVISIONS					
FT	0	P	LTR	DESCRIPTION	DATE	DWN	APVD
		A		RELEASED EC 063B-0517-01	11SEP2002	SW	CR

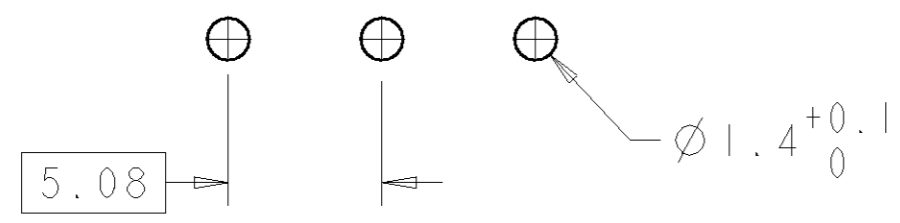


1546110-3 AS SHOWN



- 1. MATERIALS AND FINISH  
 HOUSING: PA 6-6, UL 94-V0, COLOR: GRAY.  
 TERMINAL: PHOSPHOR BRONZE, TIN PLATED.
- 2. SUITABLE FOR 1,6-2,4mm PC BOARD THICKNESS.
- 3. END-TO-END STACKABLE WITHOUT LOSS OF CENTERLINE SPACING.
- 4. RECOGNIZED UNDER THE COMPONENT PROGRAM OF UNDERWRITERS LABORATORIES INC. FILE N° E60677.
- 5. IMQ CERTIFICATE WITH SURVEILLANCE IN CONFORMITY WITH IEC 998-1/998-2-1.
- 6. NOT CUMULATIVE TOLERANCE.
- 7. BUCHANAN LOGO TO APPEAR ON HOUSING, LOCATION OPTIONAL WHERE SPACE PERMITS.

127.00	25	2-1546110-5
121.92	24	2-1546110-4
116.84	23	2-1546110-3
111.76	22	2-1546110-2
106.68	21	2-1546110-1
101.60	20	2-1546110-0
96.52	19	1-1546110-9
91.44	18	1-1546110-8
86.36	17	1-1546110-7
81.28	16	1-1546110-6
76.20	15	1-1546110-5
71.12	14	1-1546110-4
66.04	13	1-1546110-3
60.96	12	1-1546110-2
55.88	11	1-1546110-1
50.80	10	1-1546110-0
45.72	9	1546110-9
40.64	8	1546110-8
35.56	7	1546110-7
30.48	6	1546110-6
25.40	5	1546110-5
20.32	4	1546110-4
15.24	3	1546110-3
10.16	2	1546110-2
L	NO OF POSN	PART NUMBER



RECOMMENDED PC BOARD LAYOUT

THIS DRAWING IS A CONTROLLED DOCUMENT FOR TYCO ELECTRONICS CORPORATION. IT IS SUBJECT TO CHANGE AND THE CONTROLLING ENGINEERING ORGANIZATION SHOULD BE CONTACTED FOR THE LATEST REVISION.		DWN S. WELDON 11SEP2002	<b>BUCHANAN</b> Tyco Electronics Harrisburg, PA 17105-3608
DIMENSIONS: mm		CHK C. RICHARD 11SEP2002	
TOLERANCES UNLESS OTHERWISE SPECIFIED:		APVD C. RICHARD 11SEP2002	
0 PLC ±- 1 PLC ±.2 2 PLC ±.25 3 PLC ±- 4 PLC ±- ANGLES ±- FINISH		PRODUCT SPEC 108-20166 APPLICATION SPEC 114-20079 WEIGHT -	
MATERIAL	△ -	CUSTOMER DRAWING	NAME TERMINAL BLOCK HEADER ASSEMBLY 90 DEGREE, OPEN ENDS, STACKING 5.08mm PITCH SIZE A2 CAGE CODE 00779 DRAWING NO. 1546110 RESTRICTED TO - SCALE 3:1 SHEET 1 OF 1 REV A