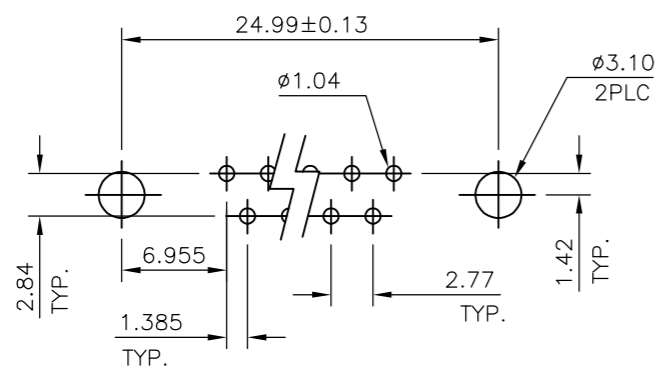
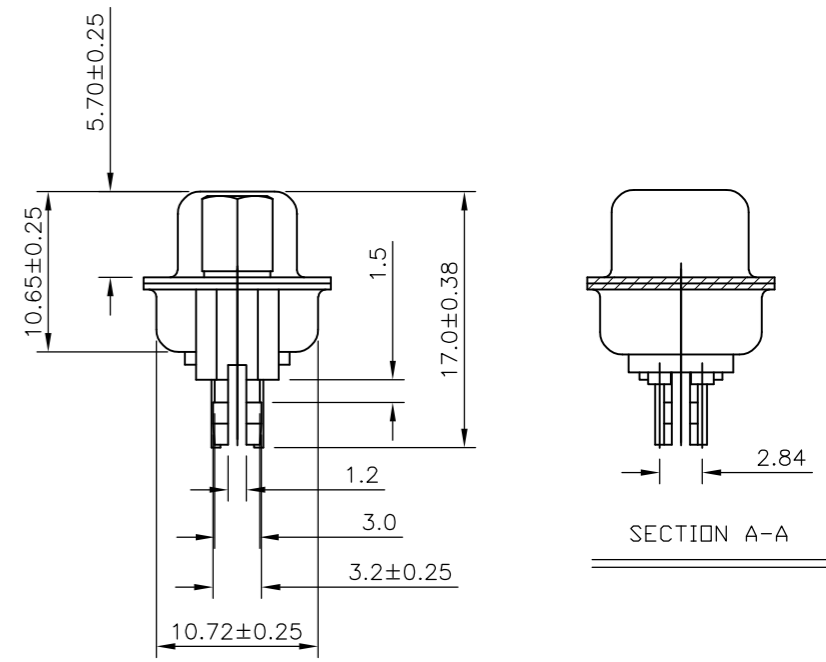
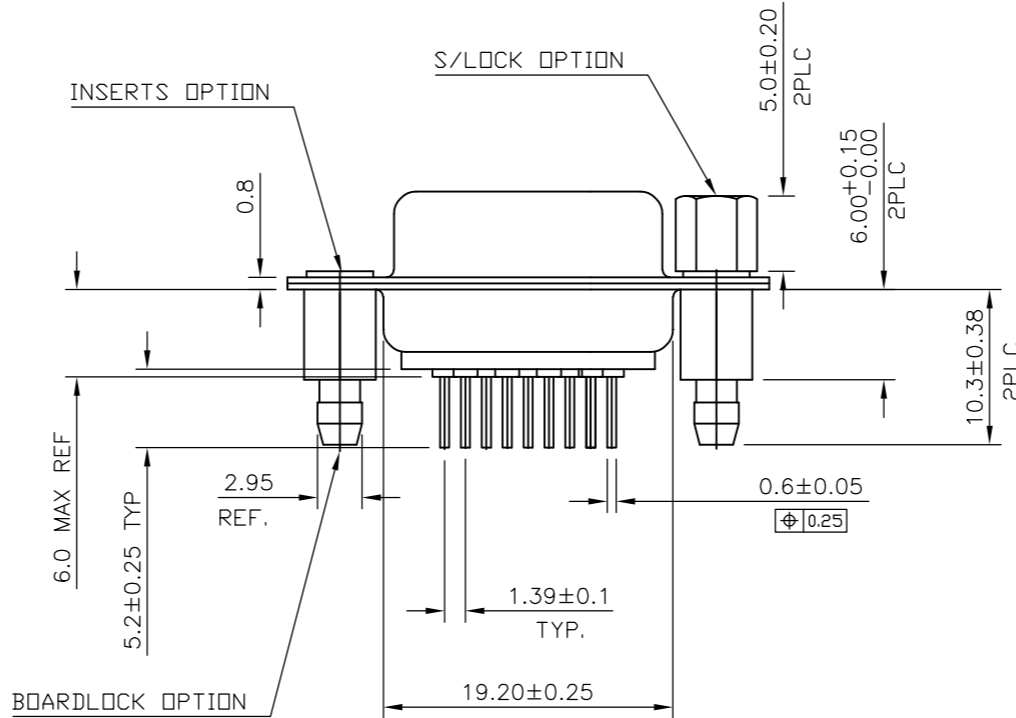
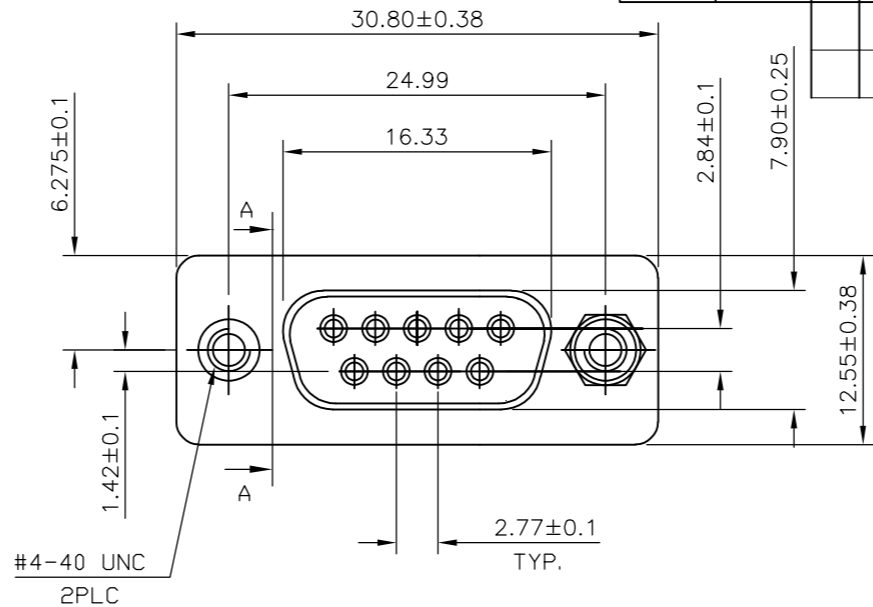


P	LTR	DESCRIPTION	DATE	DWN	APVD
	F	ECR-08-030242	02DEC08	AM	NC
	F1	REVISED PER ECO-10-000444	18JAN10	KK	HMR

NOTES:

- MATERIAL**
 HOUSING : THERMOPLASTIC, UL94V-0, BLACK
 CONTACTS : PHOSPHOR BRONZE.
 SHELL : STEEL.
 SCREW : BRASS.
 BOARD LOCK : BRASS
 SCREW OF TORQUE : 5 Kg-cm MAX.
- FINISH**
 CONTACT : 15µ" MIN. GOLD PLATING ON CONTACT AREA
 100µ" MIN. TIN PLATING ON SOLDERTAILS
 50µ" MIN. NICKEL UNDERPLATED OVERALL
 SHELL : 60µ" MIN. TIN PLATING
 SCREW: 50µ" MIN. NICKEL PLATING.
 BOARD LOCK : 50µ" MIN. NICKEL PLATING.
- CHARACTERISTICS**
 CURRENT RATING : 3A
 INSULATION RESISTANCE : 1000MOHMS MIN, 500VDC FOR 2MINS.
 TEMPERATURE RATING : -55DEGC ~ +105DEGC
 VOLTAGE RATING : 250VDC

4 OBSOLETE PARTS: OBSOLETE CIS STREAMLINING PER D.RENAUD/D.SINISI



RECOMMENDED PCB LAYOUT(TOP VIEW) (PCBTOLERANCE : ±0.05)

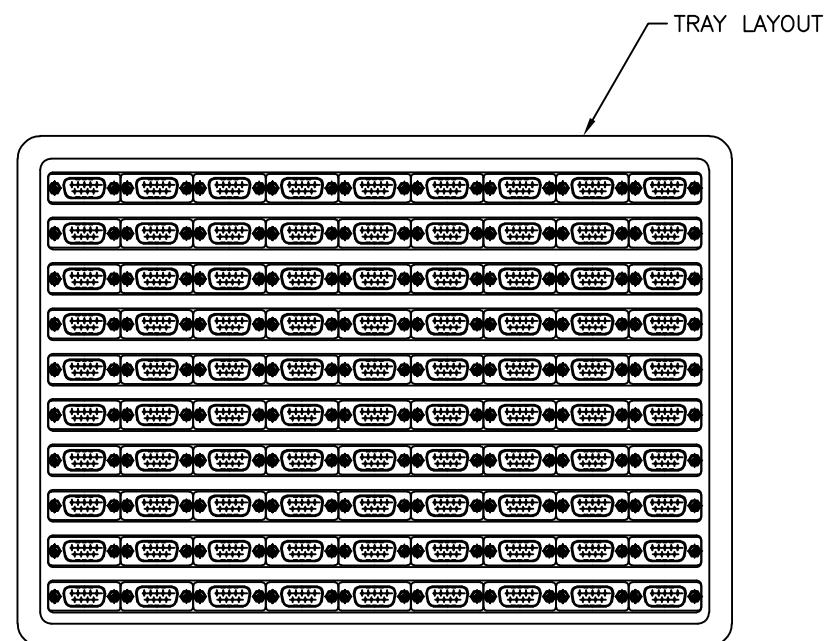
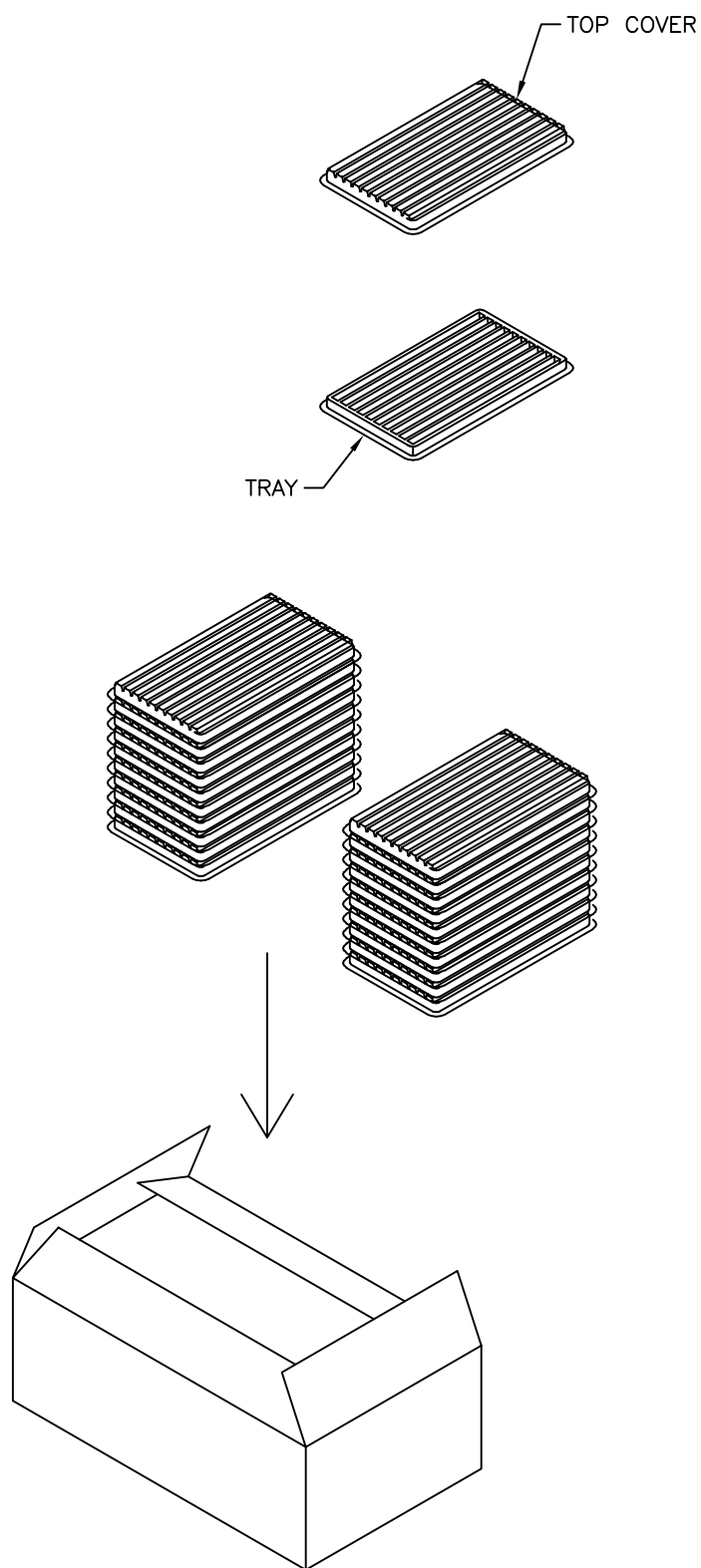
4 OBSOLETE	9W D SKT WITH B/L & M3 S/LOCK 15µ" GOLD	4-1634222-2
	9W D SKT WITH B/L & 4-40 S/LOCK 15µ" GOLD	3-1634222-2
4 OBSOLETE	9W D SKT WITH B/L & M3 INSERTS 15µ" GOLD	2-1634222-2
	9W D SKT WITH B/L & 4-40 INSERTS 15µ" GOLD	1-1634222-2
	DESCRIPTION	TE PART No.

THIS DRAWING IS A CONTROLLED DOCUMENT.		DWN J.SANDWELL 10APR03	Tyco Electronics Corporation Stanmore, Middlesex, HA7 4RS	
DIMENSIONS: MM		CHK R.DYER 10APR03	D-SUB HD20, VERTICAL, 9P SKT CONNECTOR	
TOLERANCES UNLESS OTHERWISE SPECIFIED:		APVD F.WHEELER-KING 10APR03	NAME	
0 PLC ± -		PRODUCT SPEC	SIZE CAGE CODE DRAWING NO RESTRICTED TO	
1 PLC ± 0.25		APPLICATION SPEC	A3 00779 C-1634222	
2 PLC ± 0.15		WEIGHT	SCALE 2:1 SHEET 1 OF 2 REV F1	
3 PLC ± -		CUSTOMER DRAWING		
4 PLC ± -				
ANGLES ± -				
FINISH				
MATERIAL				

THIS DRAWING IS UNPUBLISHED. RELEASED FOR PUBLICATION APR , 2003.

© COPYRIGHT 2003 BY TYCO ELECTRONICS CORPORATION. ALL RIGHTS RESERVED.

LOC	DIST	REVISIONS			
P	LTR	DESCRIPTION	DATE	DWN	APVD
E	B	—	—	—	—
		SEE SHEET 1			



NOTES:

MATERIAL

- 1. TRAY: PVC
- 2. SHIPPING CARTON: CORRUGATED FIBERBOARD

DIMENSIONS

- 1. TRAY: L=310, W=230, H=21
- 2. SHIPPING CARTON: L=465, W=320, H=230

QUANTITY

- 90 PCS/TRAY
- 20 TRAY/SHIPPING CARTON

THIS DRAWING IS A CONTROLLED DOCUMENT.		DWN J.SANDWELL 10APR03	Tyco Electronics Corporation Stanmore, Middlesex, HA7 4RS													
DIMENSIONS: MM		CHK R.DYER 10APR03	NAME D-SUB HD20, VERTICAL, 9P SKT CONNECTOR													
TOLERANCES UNLESS OTHERWISE SPECIFIED:		APVD F.WHEELER-KING 10APR03	PRODUCT SPEC													
<table border="1"> <tr><td>0 PLC</td><td>± -</td></tr> <tr><td>1 PLC</td><td>± 0.25</td></tr> <tr><td>2 PLC</td><td>± 0.15</td></tr> <tr><td>3 PLC</td><td>± -</td></tr> <tr><td>4 PLC</td><td>± -</td></tr> <tr><td>ANGLES</td><td>± -</td></tr> </table>		0 PLC	± -	1 PLC	± 0.25	2 PLC	± 0.15	3 PLC	± -	4 PLC	± -	ANGLES	± -	APPLICATION SPEC		RESTRICTED TO
0 PLC	± -															
1 PLC	± 0.25															
2 PLC	± 0.15															
3 PLC	± -															
4 PLC	± -															
ANGLES	± -															
MATERIAL		WEIGHT	SIZE	CAGE CODE	DRAWING NO											
-		-	A3	00779	C-1634222											
FINISH		CUSTOMER DRAWING		SCALE	SHEET											
-				NTS	2 OF 2											
				REV	F1											