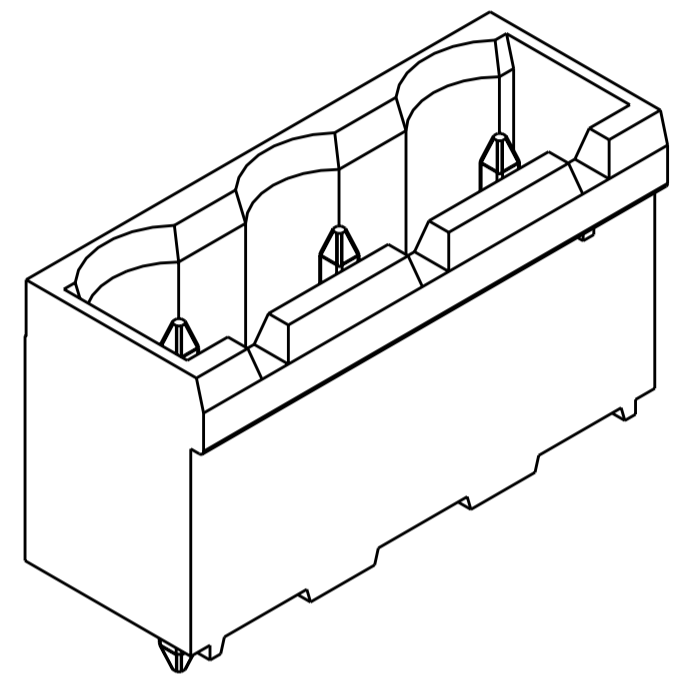
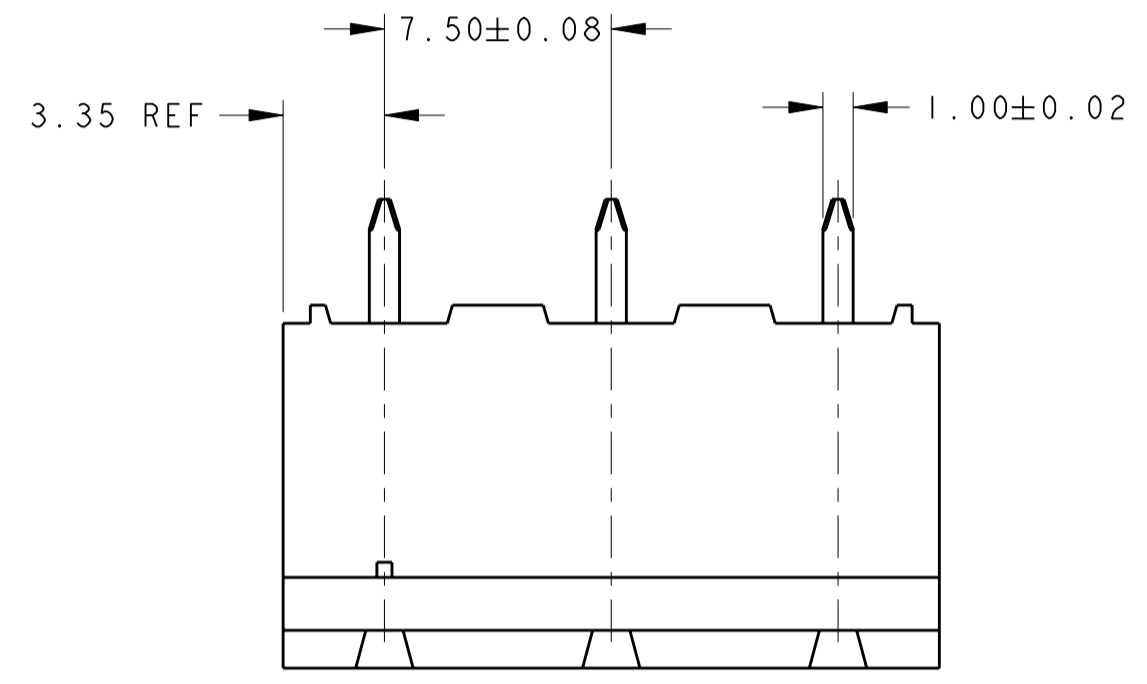


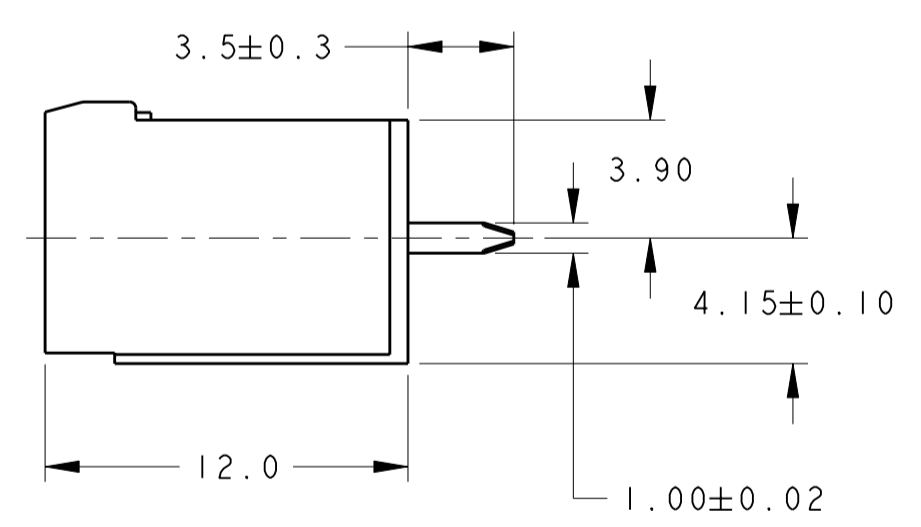
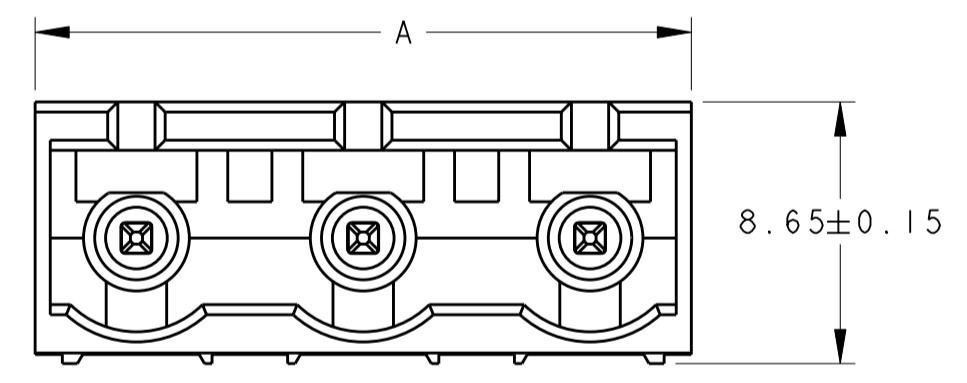
THIS DRAWING IS UNPUBLISHED. RELEASED FOR PUBLICATION 20
 © COPYRIGHT 20 BY TYCO ELECTRONICS CORPORATION. ALL RIGHTS RESERVED.

LOC		DIST		REVISIONS			
P	LTR	DESCRIPTION	DATE	DWN	APVD		
FT	0	01	REVISED PER ECO-07-011269	15MAY2007	SS	CR	

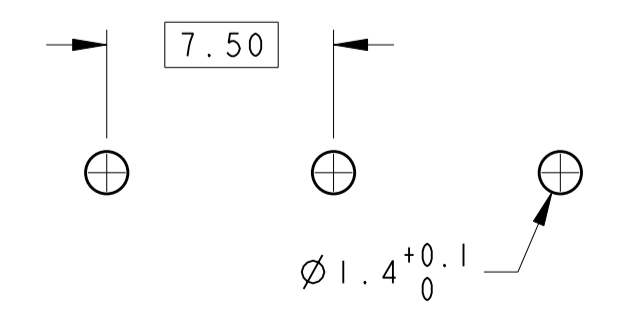


1776153-3 AS SHOWN

1. MATERIALS AND FINISH
 HOUSING: HIGH TEMPERATURE POLYAMIDE, UL 94V-0 RATED,
 COLOR: BLACK.
 TERMINAL: PHOSPHOR BRONZE, TIN PLATED.
2. SUITABLE FOR 1,6-2,4mm PC BOARD THICKNESS.
3. RECOGNIZED UNDER THE COMPONENT PROGRAM OF
 UNDERWRITERS LABORATORIES INC., FILE N° E60677.
4. IMQ CERTIFICATE WITH SURVEILLANCE IN CONFORMITY
 WITH IEC 998-1/998-2-1.



89.20	12	1-1776153-2
81.70	11	1-1776153-1
74.20	10	1-1776153-0
66.70	9	1776153-9
59.20	8	1776153-8
51.70	7	1776153-7
44.20	6	1776153-6
36.70	5	1776153-5
29.20	4	1776153-4
21.70	3	1776153-3
14.20	2	1776153-2
A	NO OF POSN	PART NUMBER



RECOMMENDED PC BOARD LAYOUT

<small>THIS DRAWING IS A CONTROLLED DOCUMENT FOR TYCO ELECTRONICS CORPORATION IT IS SUBJECT TO CHANGE AND THE CONTROLLING ENGINEERING ORGANIZATION SHOULD BE CONTACTED FOR THE LATEST REVISION.</small>		DWN S. WELDON 26 JUL 2005 CHK C. RICHARD 26 JUL 2005 APVD C. RICHARD 26 JUL 2005	Tyco Electronics Harrisburg, PA 17105-3608
DIMENSIONS: mm	TOLERANCES UNLESS OTHERWISE SPECIFIED: 0 PLC ±- 1 PLC ±.3 2 PLC ±.25 3 PLC ±- 4 PLC ±- ANGLES ±2 FINISH	PRODUCT SPEC - APPLICATION SPEC - WEIGHT -	NAME: TERMINAL BLOCK HEADER ASSEMBLY 180 DEGREE, CLOSED END 7.5mm PITCH
MATERIAL		CUSTOMER DRAWING	SIZE: A2 CAGE CODE: 00779 DRAWING NO: C-1776153 RESTRICTED TO: -
		SCALE: 4:1	SHEET 1 OF 1 REV 01