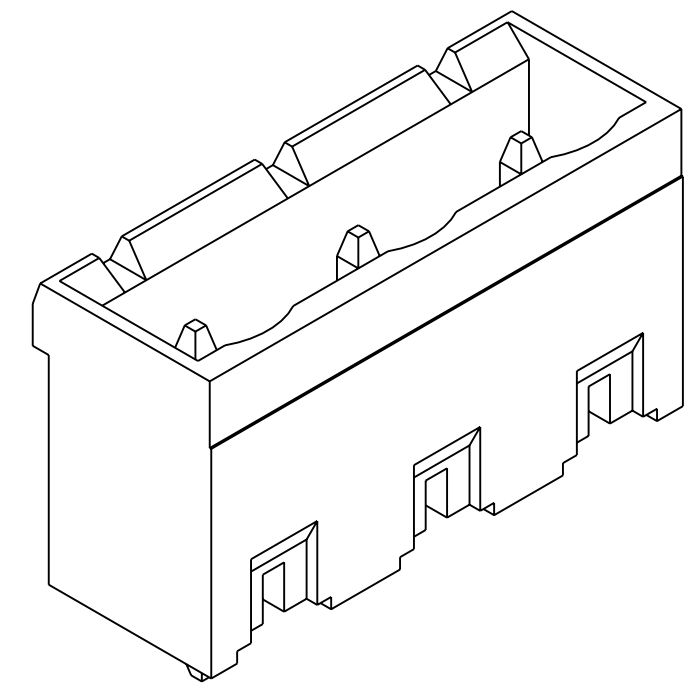
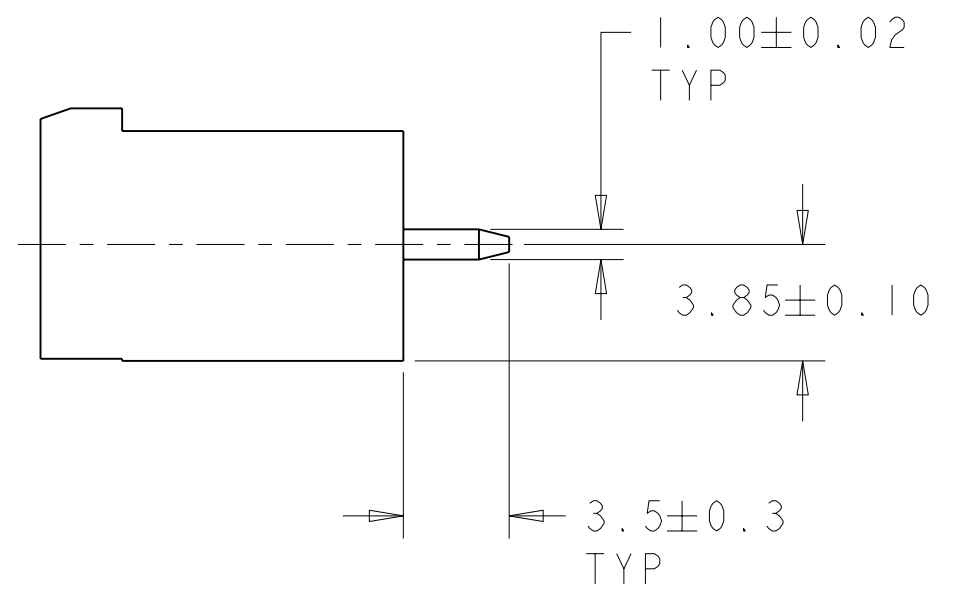
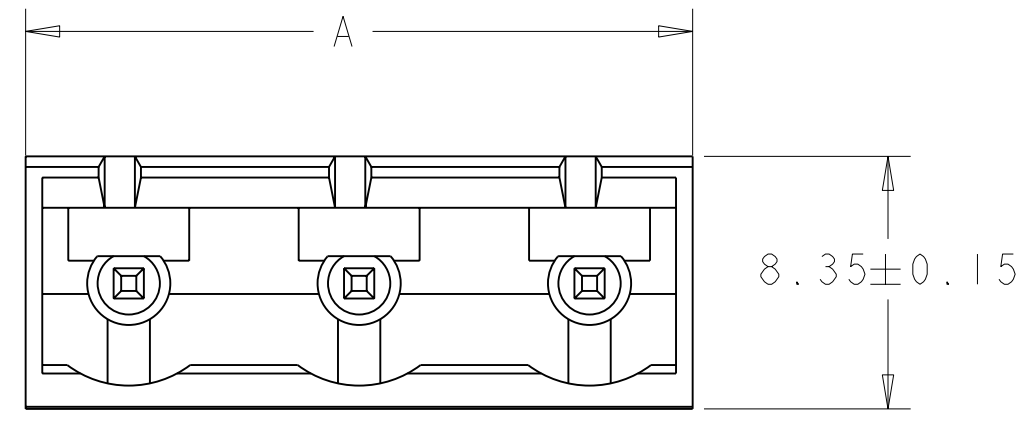
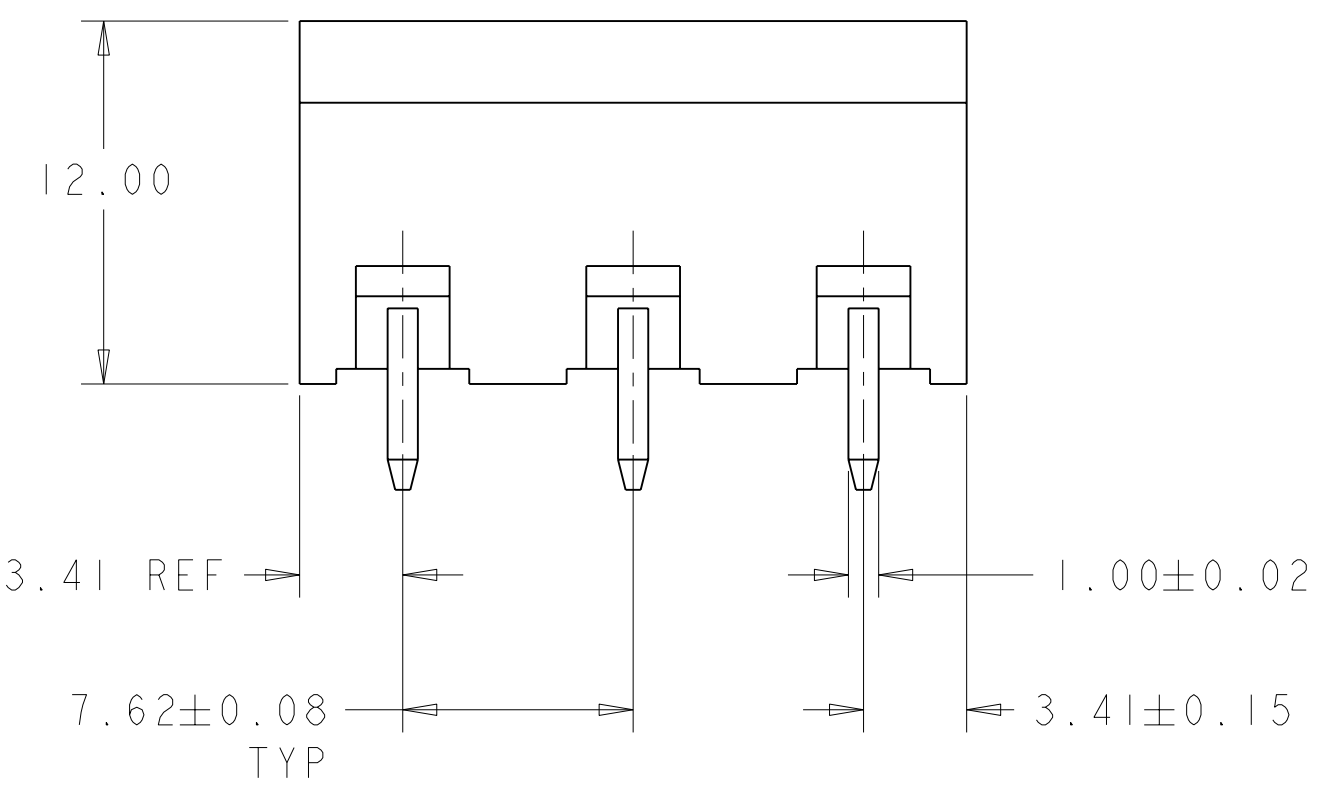


THIS DRAWING IS UNPUBLISHED. RELEASED FOR PUBLICATION 20
 © COPYRIGHT 20 BY TYCO ELECTRONICS CORPORATION. ALL RIGHTS RESERVED.

| LOC | | DIST | | REVISIONS | | | |
|-----|-----|--------------------------|-----------|-----------|------|--|--|
| P | LTR | DESCRIPTION | DATE | DWN | APVD | | |
| | 0 | RELEASED EC 0G3B-0612-04 | 01JUL2005 | SW | CR | | |
| | | | | | | | |
| | | | | | | | |

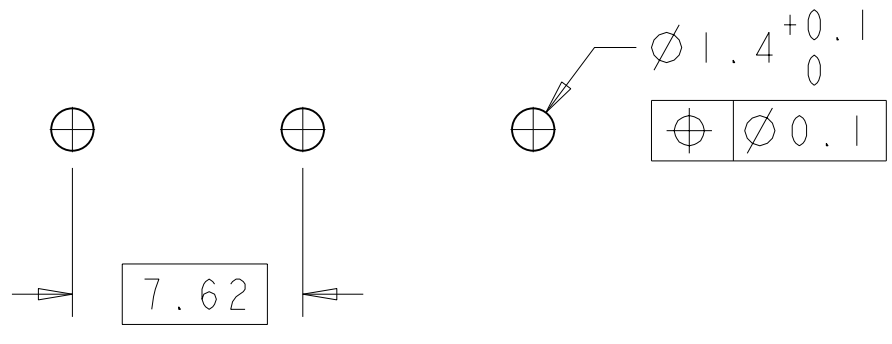


1776154-3 AS SHOWN



1. MATERIALS AND FINISH:
 HOUSING: HIGH TEMPERATURE POLYAMIDE, UL 94-V0,
 COLOR: BLACK.
 TERMINAL: PHOSPHOR BRONZE, TIN PLATED.
2. SUITABLE FOR 1,6-2, 4mm PC BOARD THICKNESS.
3. RECOGNIZED UNDER THE COMPONENT PROGRAM OF
 UNDERWRITERS LABORATORIES INC. FILE N° E60677.
4. IMQ CERTIFICATE WITH SURVEILLANCE IN CONFORMITY
 WITH IEC 998-1/998-2-1.)

| | | |
|-------|------------|-------------|
| 90.64 | 12 | 1-1776154-2 |
| 83.02 | 11 | 1-1776154-1 |
| 75.40 | 10 | 1-1776154-0 |
| 67.78 | 9 | 1776154-9 |
| 60.16 | 8 | 1776154-8 |
| 52.54 | 7 | 1776154-7 |
| 44.92 | 6 | 1776154-6 |
| 37.30 | 5 | 1776154-5 |
| 29.68 | 4 | 1776154-4 |
| 22.06 | 3 | 1776154-3 |
| 14.44 | 2 | 1776154-2 |
| A | NO OF POSN | PART NUMBER |



RECOMMENDED PC BOARD LAYOUT

| | | | |
|--|--|--|--|
| <small>THIS DRAWING IS A CONTROLLED DOCUMENT FOR TYCO ELECTRONICS CORPORATION. IT IS SUBJECT TO CHANGE AND THE CONTROLLING ENGINEERING ORGANIZATION SHOULD BE CONTACTED FOR THE LATEST REVISION.</small> | | DWN S. WELDON 01JUL2005 CHK C. RICHARD 01JUL2005 APVD C. RICHARD 01JUL2005 | BUCHANAN Tyco Electronics Harrisburg, PA 17105-3608 |
| DIMENSIONS: mm | TOLERANCES UNLESS OTHERWISE SPECIFIED: 0 PLC ± 1 PLC ±0.2 2 PLC ± 3 PLC ± 4 PLC ± ANGLES ± FINISH | PRODUCT SPEC APPLICATION SPEC WEIGHT | NAME TERMINAL BLOCK, HEADER ASSEMBLY 180 DEGREES, CLOSED ENDS 7.62mm, PITCH |
| MATERIAL | | SIZE A2 CAGE CODE 00779 DRAWING NO C=1776154 | RESTRICTED TO SCALE 4:1 SHEET 1 OF 1 REV 0 |
| CUSTOMER DRAWING | | | |