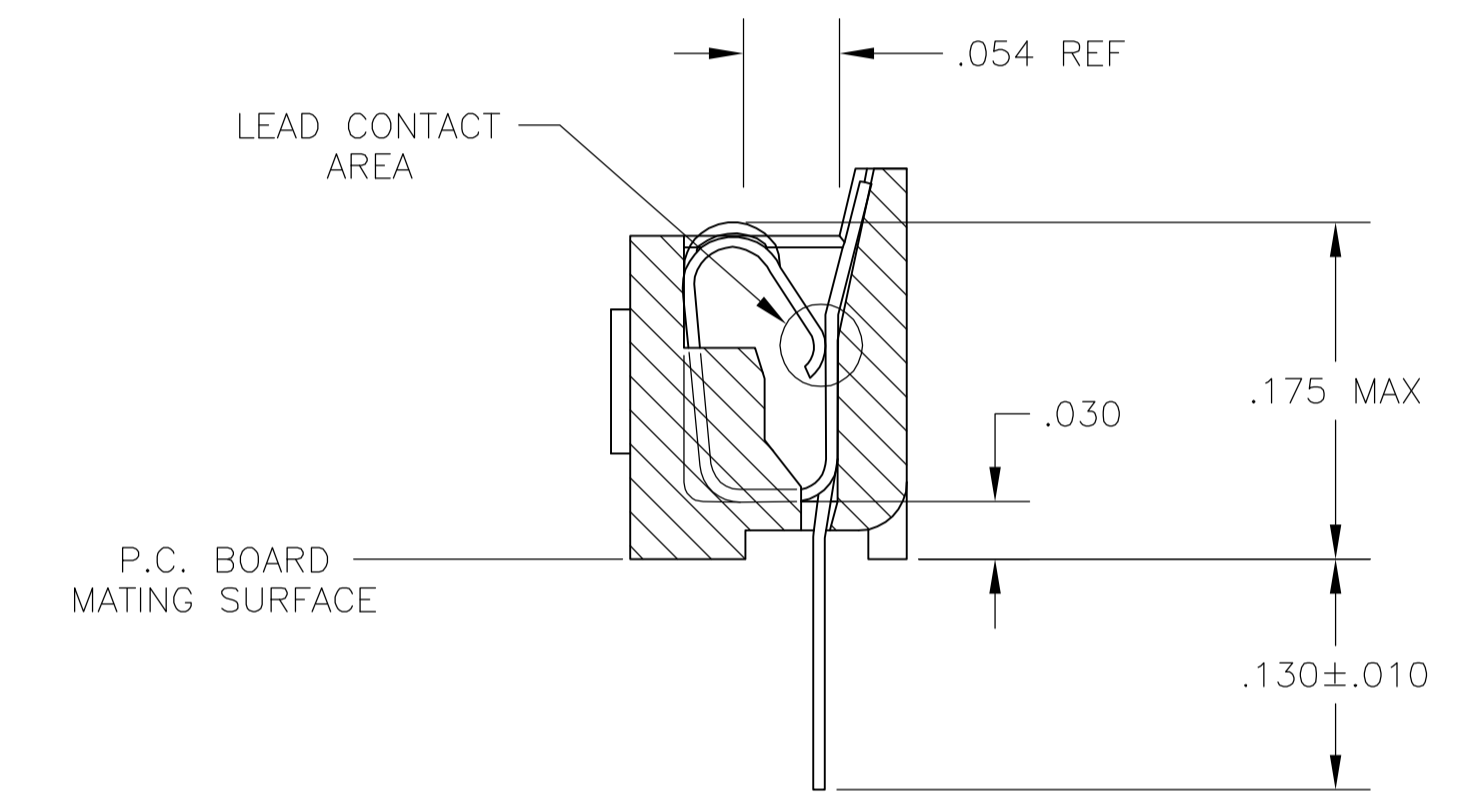
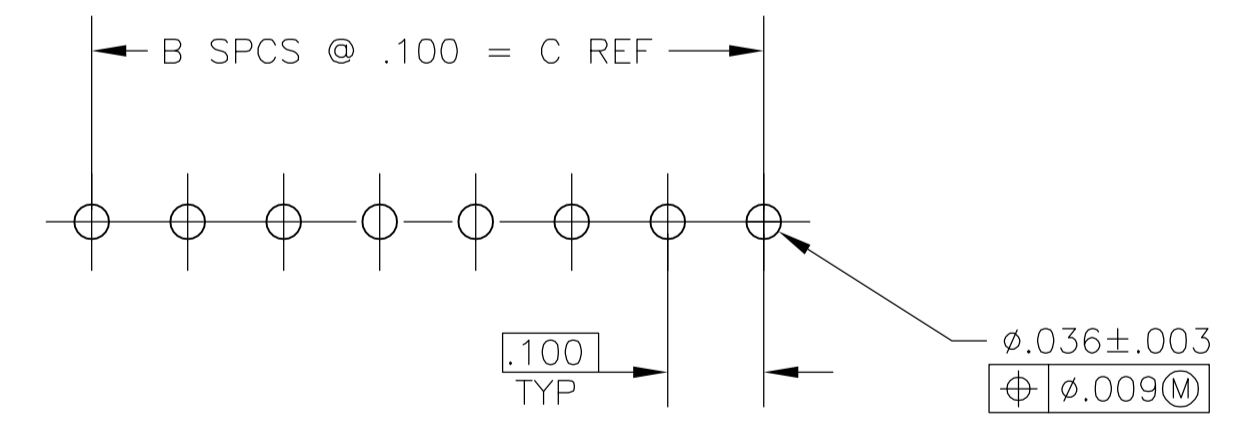
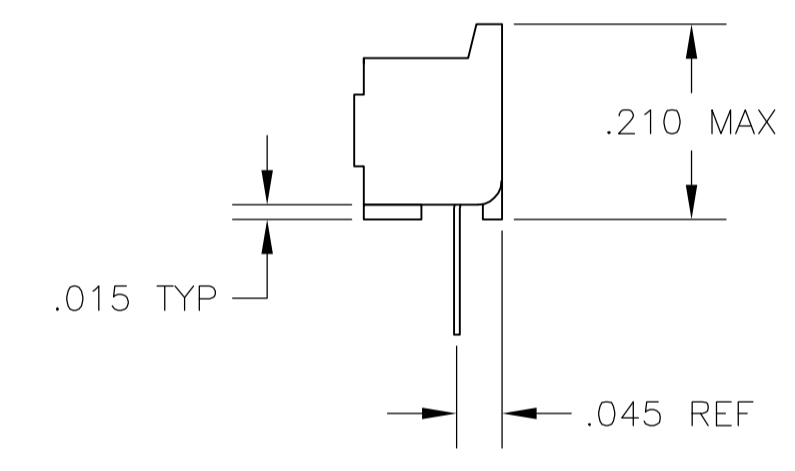
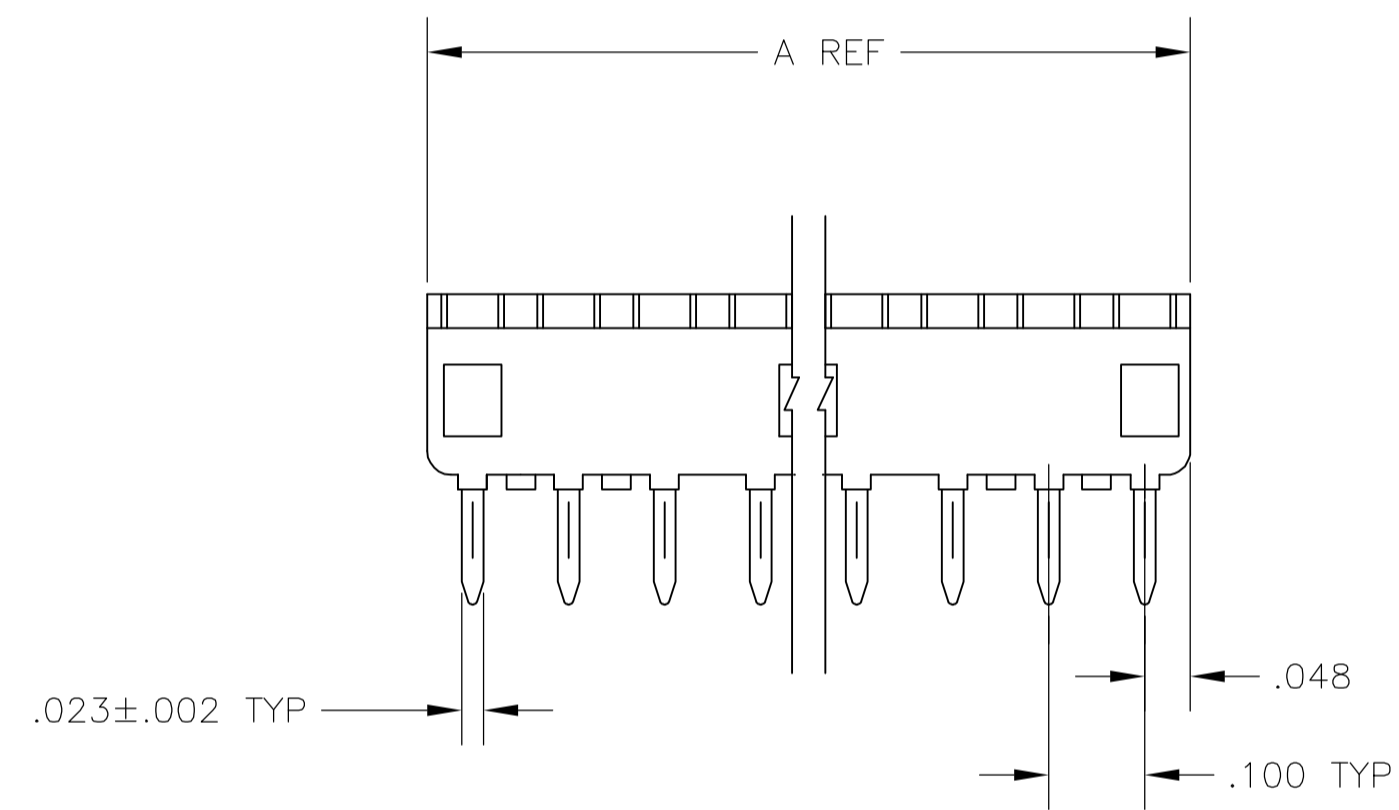
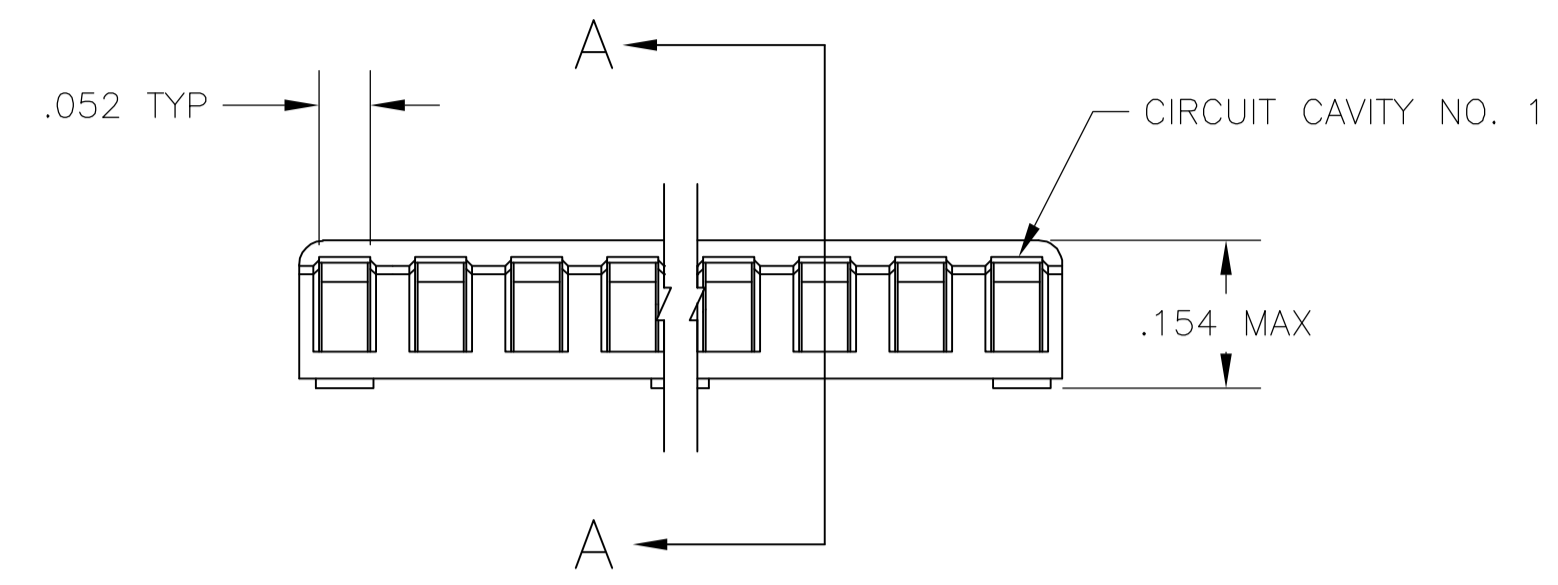


1. RECEPTACLE ACCEPTS AN .008-.014 THK. I.C. LEAD.
2. BECU CONTACT-PLATED WITH TWO .000030 MIN THICK. GOLD STRIPES IN CONTACT AREA WITH TIN ON CONTACT LEGS. BALANCE OF CONTACT NICKEL PLATED.
3. GLASS FILLED THERMOPLASTIC, 94V-0, BLACK.



2.400	24	2.495	25	2-1825410-5
1.900	19	1.995	20	2-1825410-0
1.200	12	1.295	13	1-1825410-3
1.000	10	1.095	11	1-1825410-1
0.900	9	0.995	10	1-1825410-0
0.700	7	0.795	8	1825410-8
C	B	A	POS	P/N

THIS DRAWING IS A CONTROLLED DOCUMENT.

DIMENSIONS: INCHES	TOLERANCES UNLESS OTHERWISE SPECIFIED:	0 PLC ± -	1 PLC ± -	2 PLC ± -	3 PLC ± .005	4 PLC ± -	ANGLES ± -	FINISH
THIS DRAWING IS A CONTROLLED DOCUMENT. DWG: M. CYRUS 6-14-84 CHK: N. JONES 7-3-84 APVD: J. GRAY 7-10-84 PRODUCT SPEC: 108-1066 APPLICATION SPEC: 114-1049 MATERIAL: - FINISH: - WEIGHT: - CUSTOMER DRAWING		Tyco Electronics Corporation Harrisburg, Pa 17105-3608 SOCKET ASSY, SIP, DIPLOMATE DL SIZE: A1 CAGE CODE: 00779 DRAWING NO: 1825410 SCALE: 1:1 SHEET: 1 OF 1 REV: A						