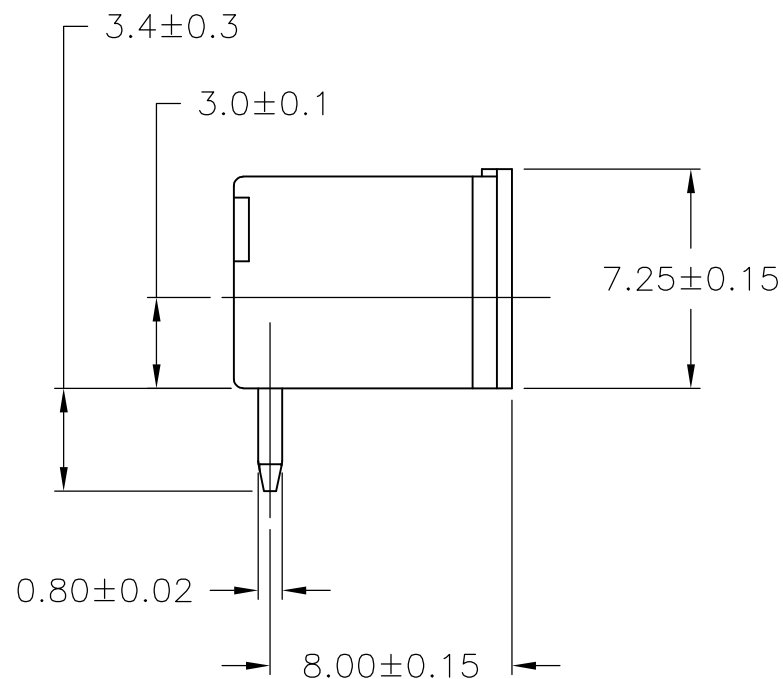
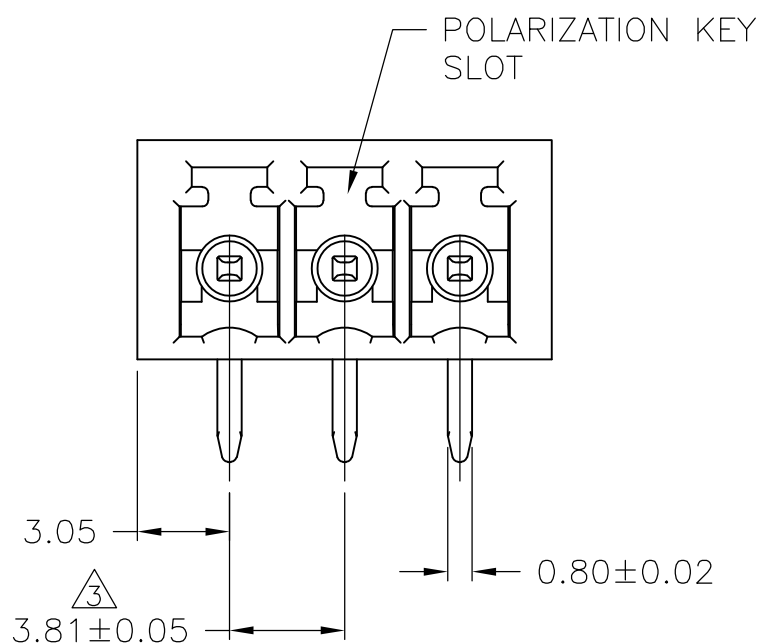
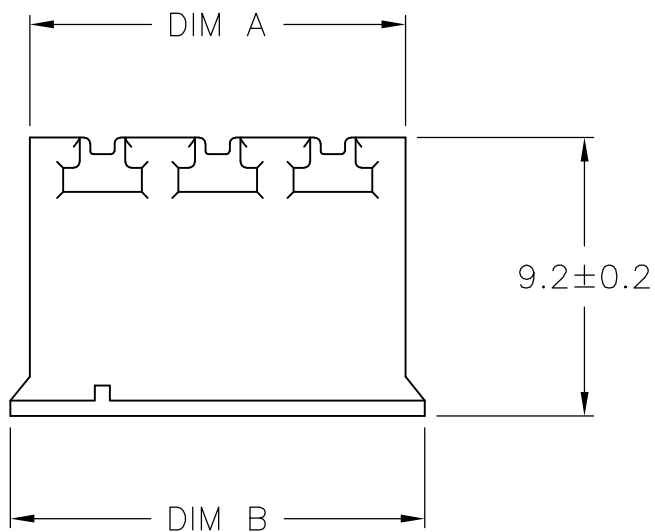


THIS DRAWING IS UNPUBLISHED. RELEASED FOR PUBLICATION
 © COPYRIGHT BY TYCO ELECTRONICS CORPORATION. ALL RIGHTS RESERVED.

LOC	DIST	REVISIONS					
		P	LTR	DESCRIPTION	DATE	DWN	APVD
-	-	1	-		1/30/08	SS	CR

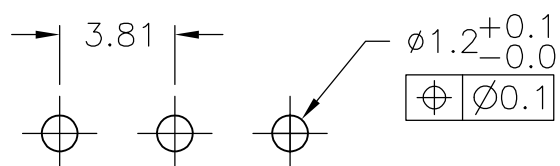


THIS PRINT IS
PRELIMINARY
 PRIOR TO CUSTOMER ORDER
 CONTACT PRODUCT ENGINEERING
 BEFORE USING THIS PRINT



- 1 MATERIALS AND FINISH:
 HOUSING : PA 6.6, UL 94-V0, COLOR: BLACK
 TERMINAL : PHOSPHOR BRONZE, TIN PLATED
- 2. SUITABLE FOR 1.6-2.4 mm. PC BOARD THICKNESS.
- 3 NOT CUMULATIVE TOLERANCE.

70.87	69.59	18	1-1986343-8
DIM B	DIM A	NO OF POS	PART NUMBER



RECOMMENDED PC BOARD LAYOUT

THIS DRAWING IS A CONTROLLED DOCUMENT.		DWN S SCHLEGEL 30JAN2008	Tyco Electronics Corporation Harrisburg, PA 17105-3608	
DIMENSIONS: mm		CHK C RICHARD 1/30/08	NAME TERMINAL BLOCK HEADER ASSEMBLY 90 DEGREE, CLOSED ENDS 3.81mm PITCH	
TOLERANCES UNLESS OTHERWISE SPECIFIED:		APVD C RICHARD 1/30/08	PRODUCT SPEC -	
0 PLC ± -		APPLICATION SPEC -		
1 PLC ± 0.3		SIZE A3		
2 PLC ± 0.25		CAGE CODE 00779		
3 PLC ± -		DRAWING NO C-1986343		
4 PLC ± -		RESTRICTED TO -		
ANGLES ± 2'		SCALE 4:1		
MATERIAL - 1		SHEET 1 OF 1		
FINISH - 1		REV 1		
CUSTOMER DRAWING				