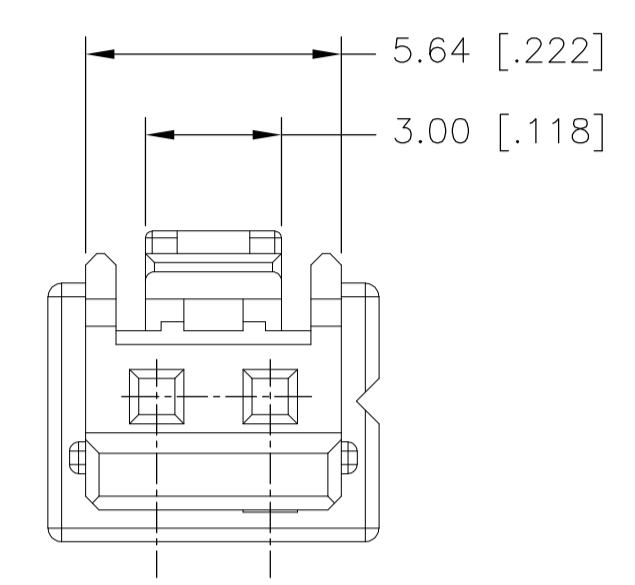
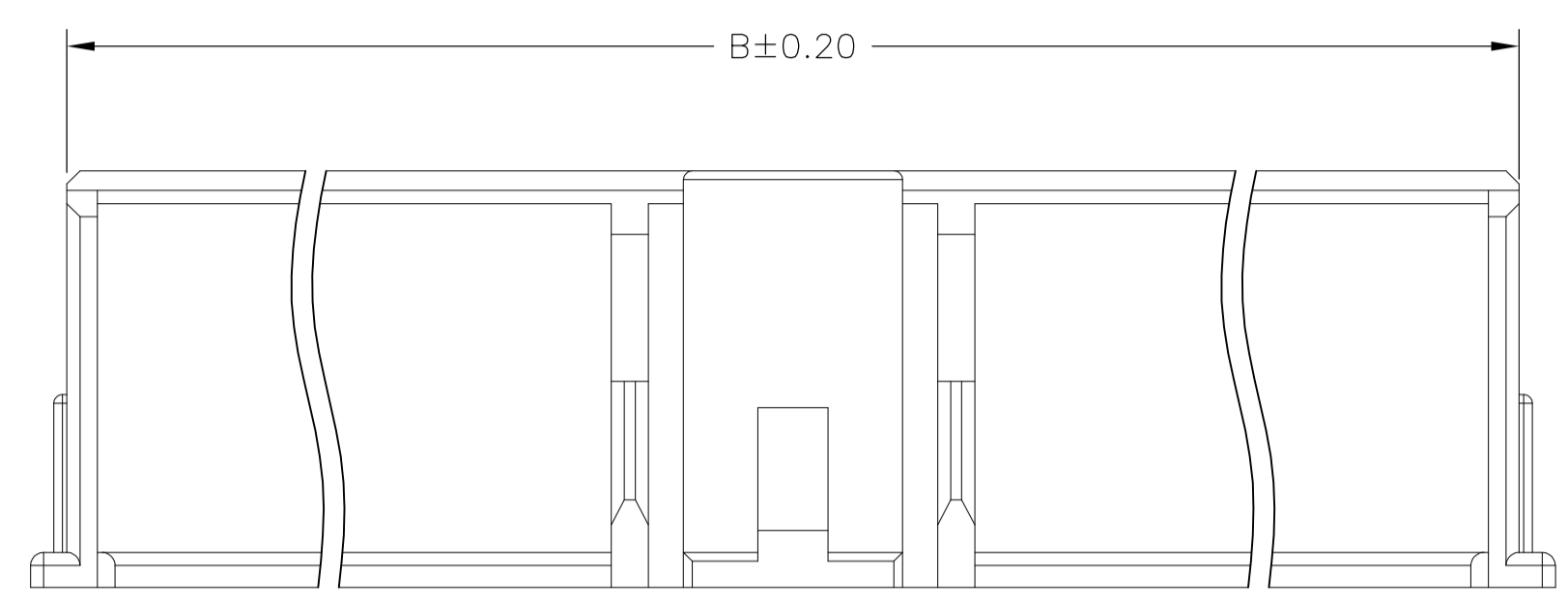
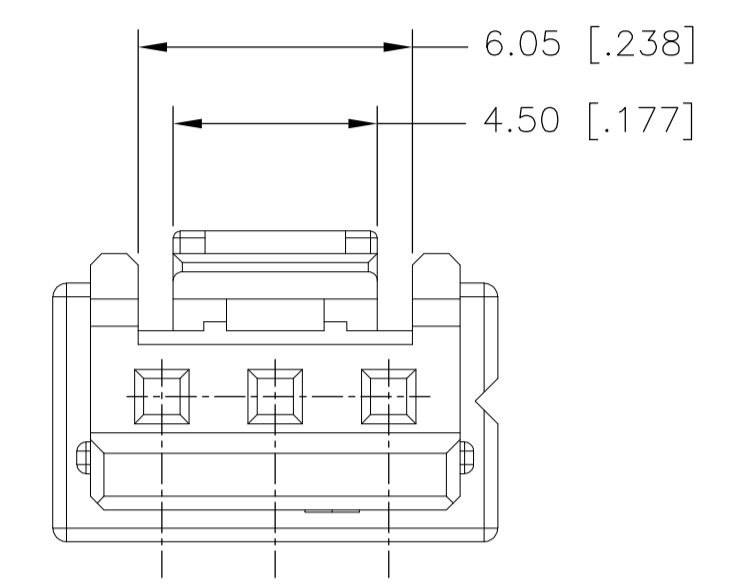


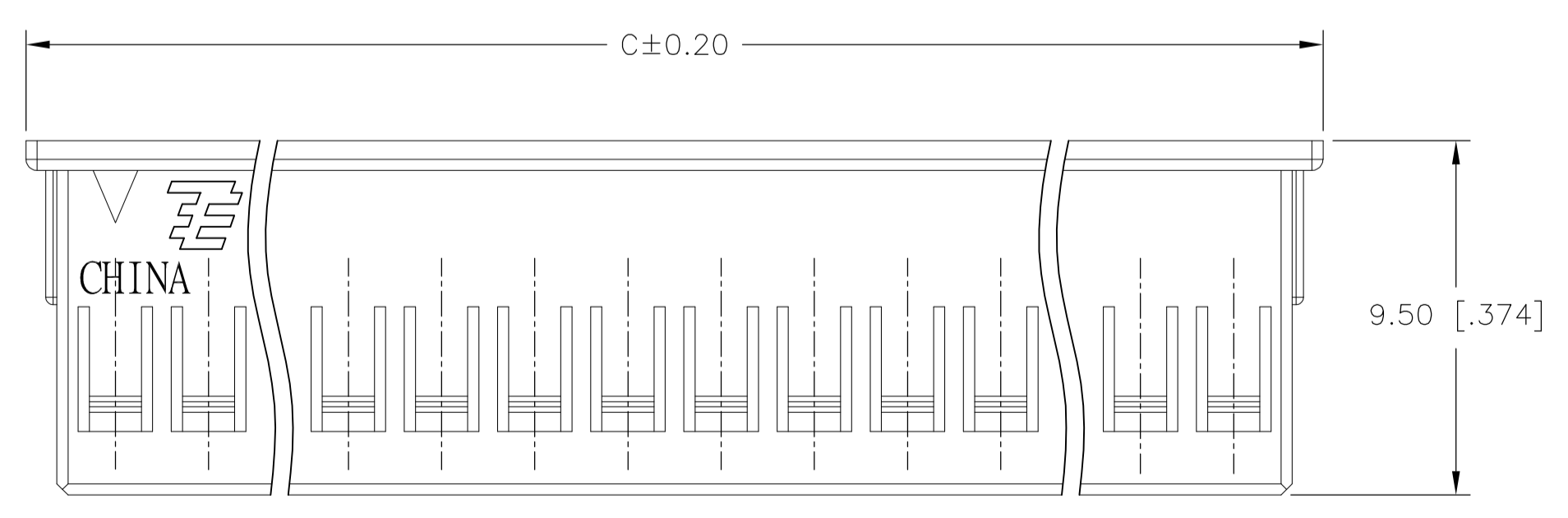
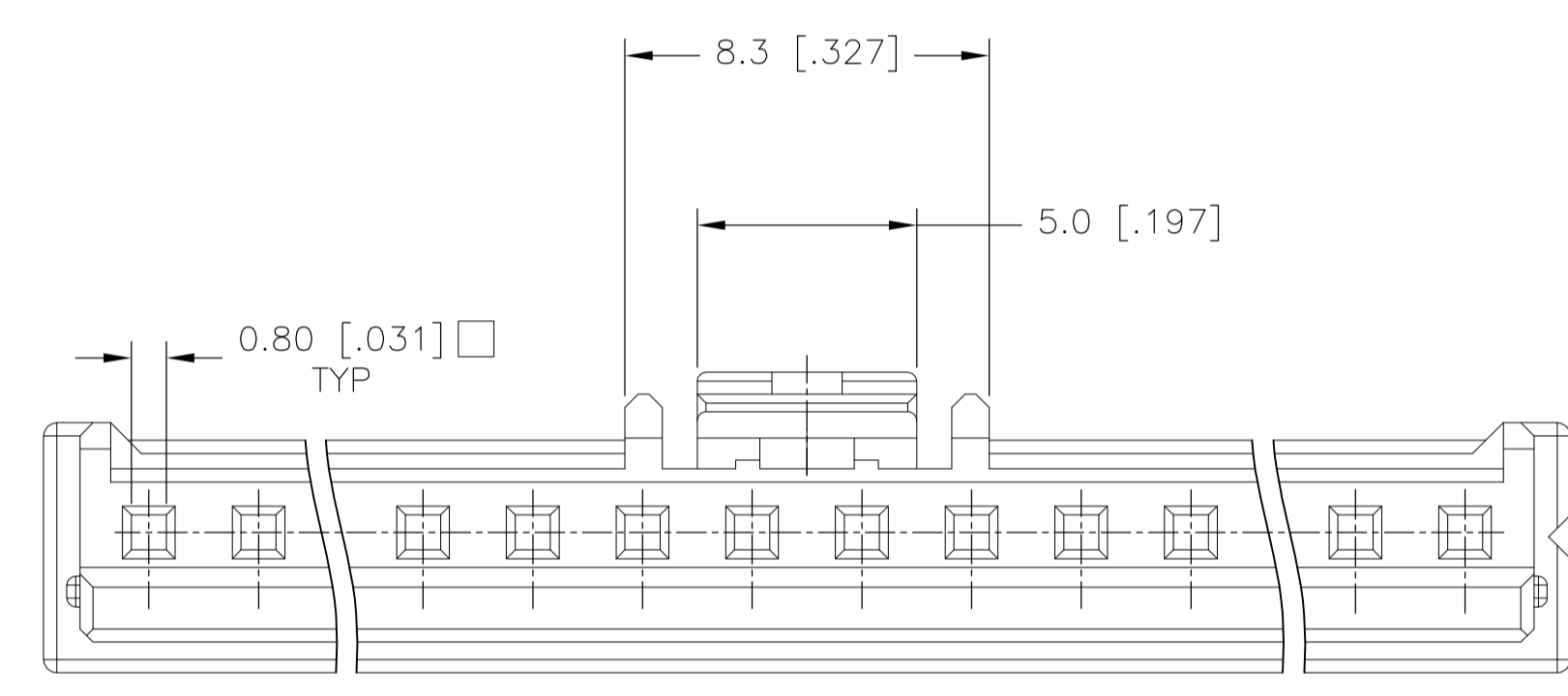
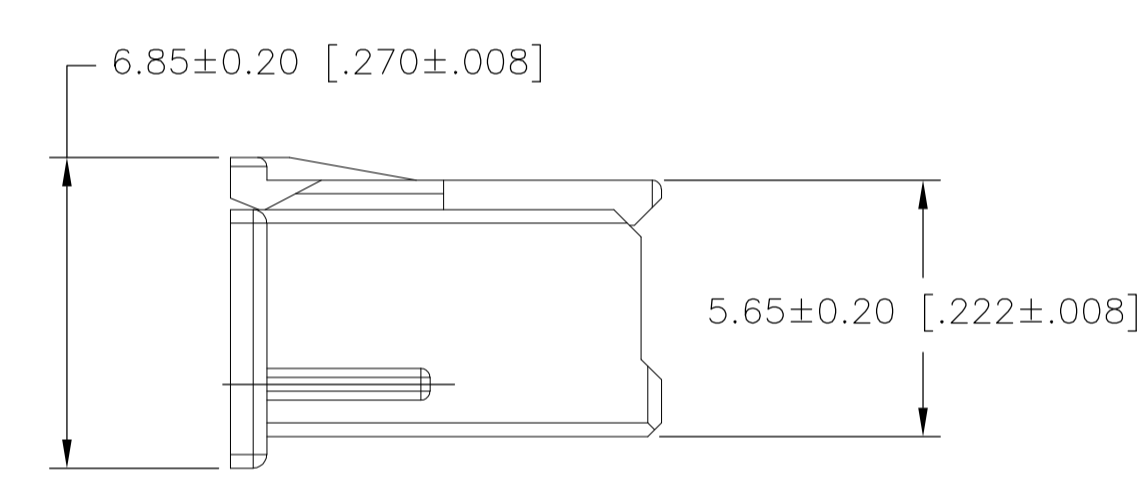
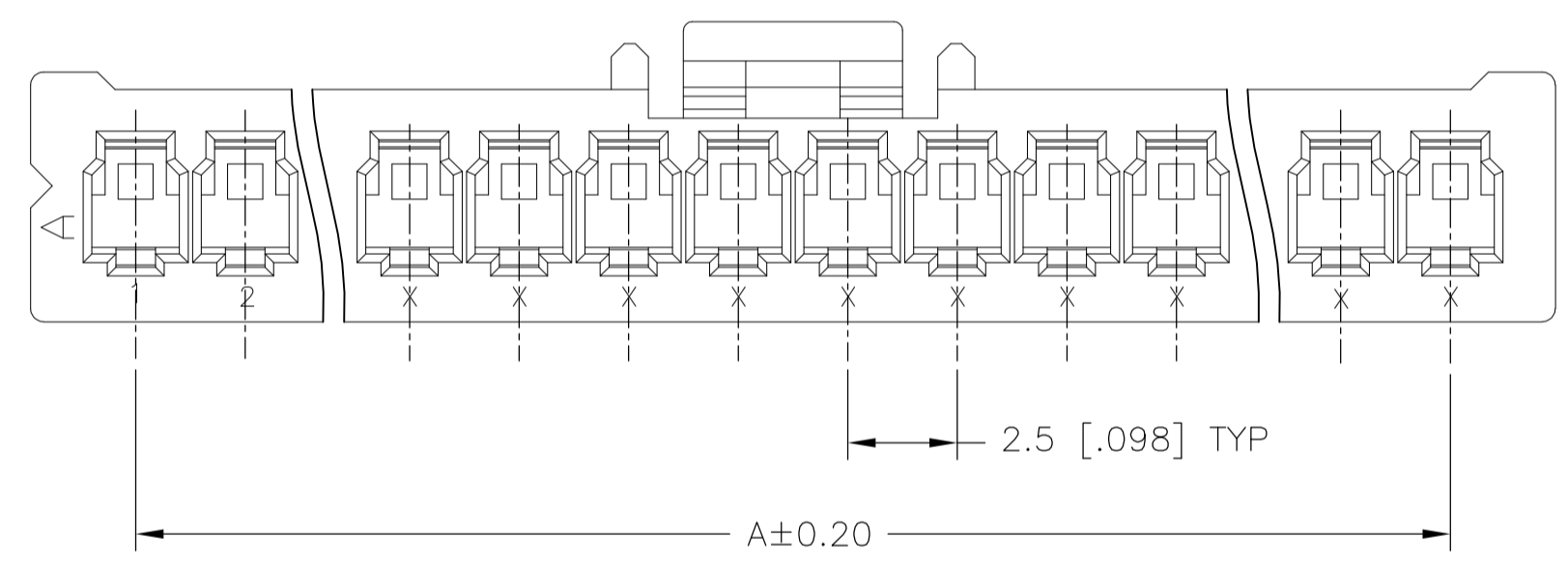
1. MATERIAL: NYLON UL94-V0
 COLOR: WHITE.



2110992-2
 ONLY



2110992-3
 ONLY




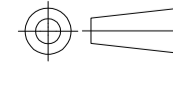
47.5 [1.870]	50.64 [1.994]	52.3 [2.059]	20	2-2110992-0
45.0 [1.772]	48.14 [1.895]	49.8 [1.960]	19	1-2110992-9
42.5 [1.673]	45.64 [1.797]	47.3 [1.862]	18	1-2110992-8
40.0 [1.575]	43.14 [1.698]	44.8 [1.764]	17	1-2110992-7
37.5 [1.476]	40.64 [1.560]	42.3 [1.665]	16	1-2110992-6
35.0 [1.378]	38.14 [1.502]	39.8 [1.567]	15	1-2110992-5
32.5 [1.280]	35.64 [1.403]	37.3 [1.469]	14	1-2110992-4
30.0 [1.181]	33.14 [1.305]	34.8 [1.370]	13	1-2110992-3
27.5 [1.083]	30.64 [1.206]	32.3 [1.272]	12	1-2110992-2
25.0 [.984]	28.14 [1.108]	29.8 [1.173]	11	1-2110992-1
22.5 [.886]	25.64 [1.009]	27.3 [1.075]	10	1-2110992-0
20.0 [.787]	23.14 [.911]	24.8 [.976]	9	2110992-9
17.5 [.689]	20.64 [.813]	22.3 [.888]	8	2110992-8
15.0 [.591]	18.14 [.714]	19.8 [.780]	7	2110992-7
12.5 [.492]	15.64 [.616]	17.3 [.681]	6	2110992-6
10.0 [.394]	13.14 [.517]	14.8 [.583]	5	2110992-5
7.5 [.295]	10.64 [.419]	12.3 [.484]	4	2110992-4
5.0 [.197]	8.14 [.321]	9.8 [.386]	3	2110992-3
2.5 [.098]	5.64 [.222]	7.3 [.287]	2	2110992-2
A	B	C	POSITION	PART NUMBER

THIS DRAWING IS A CONTROLLED DOCUMENT.

DIMENSIONS: mm [INCHES]	TOLERANCES UNLESS OTHERWISE SPECIFIED:	DIN C. ROHLER 05OCT2009	Tyco Electronics Corporation Harrisburg, PA 17105-3608
0. PLC ± -	1. PLC ± 0.25[.010]	CIK C. ROHDE 05OCT2009	
2. PLC ± 0.15[.006]	3. PLC ± 0.10[.004]	APVD C. ROHDE 05OCT2009	NAME
4. PLC ± -	ANGLES ± -	PRODUCT SPEC	RECEPTACLE HOUSING, ECONOMY POWER 2.5
MATERIAL	FINISH	APPLICATION SPEC	SIZE CASE CODE DRAWING NO
		WEIGHT	A1 00779 C=2110992
		CUSTOMER DRAWING	RESTRICTED TO

SCALE 6:1 SHEET 1 OF 2 REV A

2110992					STOCK DISPOSITION			
					A. CONTINUE AS IS		D. USE OLD FIRST	
					B. REWORK		E. PARTS TO CONFORM	
					C. SCRAP		F. OTHER	
					INVENTORY	WORK IN PROCESS	SUPPLIER ORDERS	OPEN CUST ORDERS
DATE	REV	CHANGES	REASON	APPROVAL	(A,B,C,D,E,F)	(A,B,C,F)	(A,E,F)	(A,E,F)
30SEP2009	1	PRELIMINARY		ROHDE (ROHLER)				
18FEB2010	A	REVISED PER ECO-10-002780	ENGINEERING CHANGE	EABY (HUMBERT)	-	-	-	-

THIS DRAWING IS A CONTROLLED DOCUMENT.		DIN C. ROHLER 05OCT2009	 Tyco Electronics Corporation Harrisburg, PA 17105-3608
DIMENSIONS: mm [INCHES]		CHK C. ROHDE 05OCT2009	
TOLERANCES UNLESS OTHERWISE SPECIFIED: 0. PLC ± - 1. PLC ± 0.25[.010] 2. PLC ± 0.15[.006] 3. PLC ± 0.10[.004] 4. PLC ± - ± - ANGLES ± - ± -		APPROV C. ROHDE 05OCT2009	NAME RECEPTACLE HOUSING, ECONOMY POWER 2.5
		PRODUCT SPEC -	APPLICATION SPEC -
MATERIAL -	FINISH -	WEIGHT -	SIZE: A1 CAGE CODE: 00779 DRAWING NO: 2110992 RESTRICTED TO: -
CUSTOMER DRAWING		SCALE: 6:1	SHEET 2 OF 2 REV A