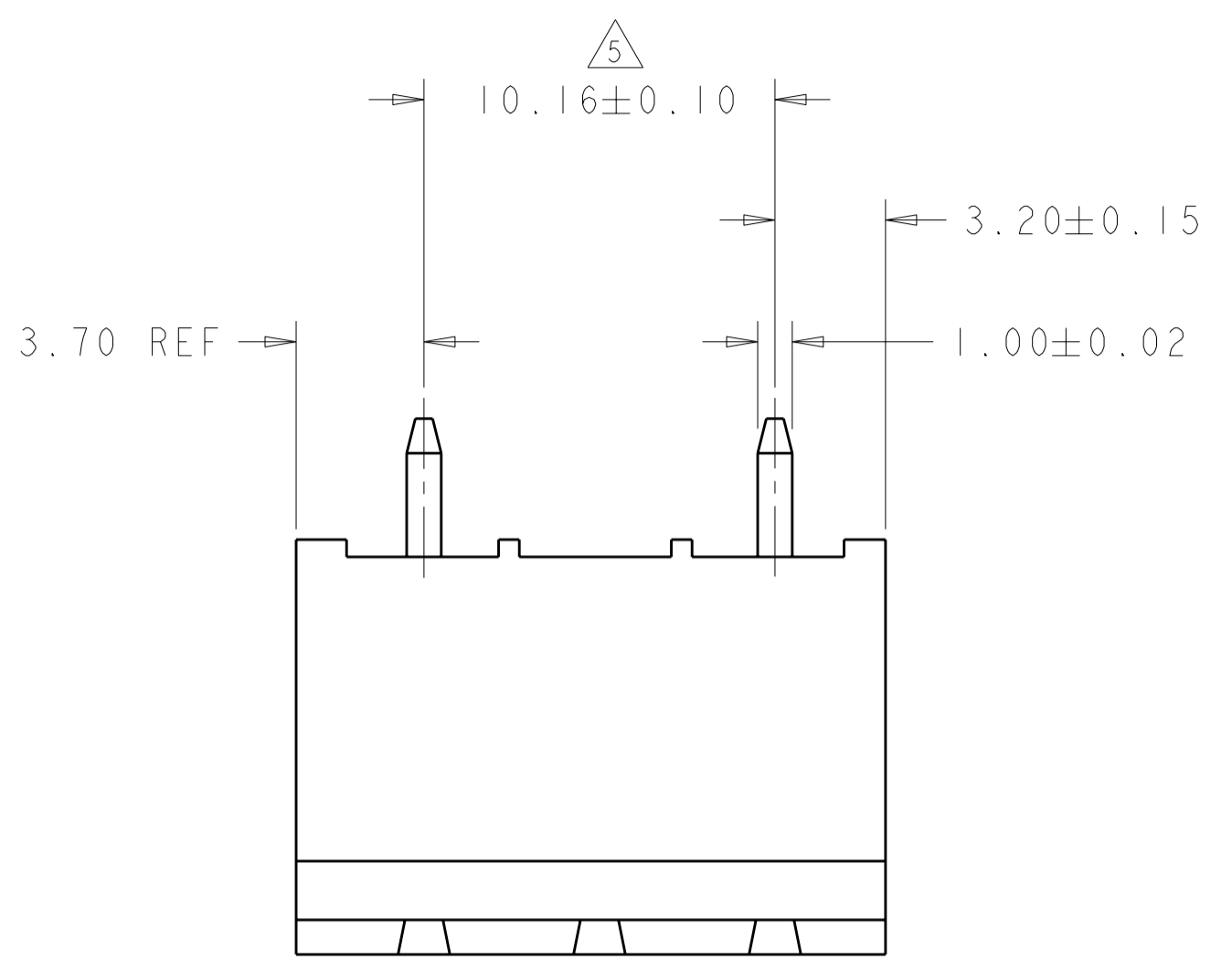
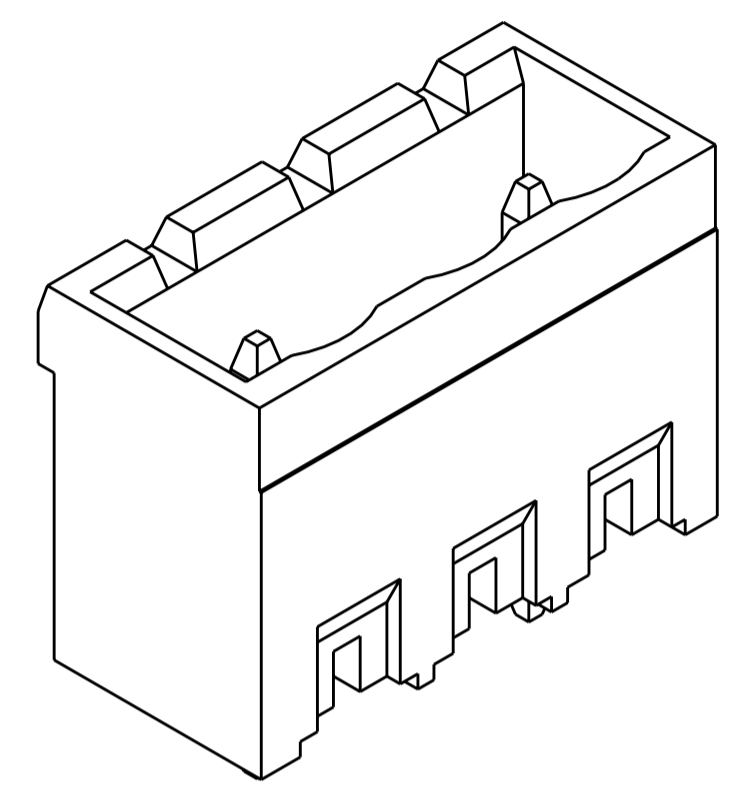


THIS DRAWING IS UNPUBLISHED. RELEASED FOR PUBLICATION 20
 © COPYRIGHT 20 BY TYCO ELECTRONICS CORPORATION. ALL RIGHTS RESERVED.

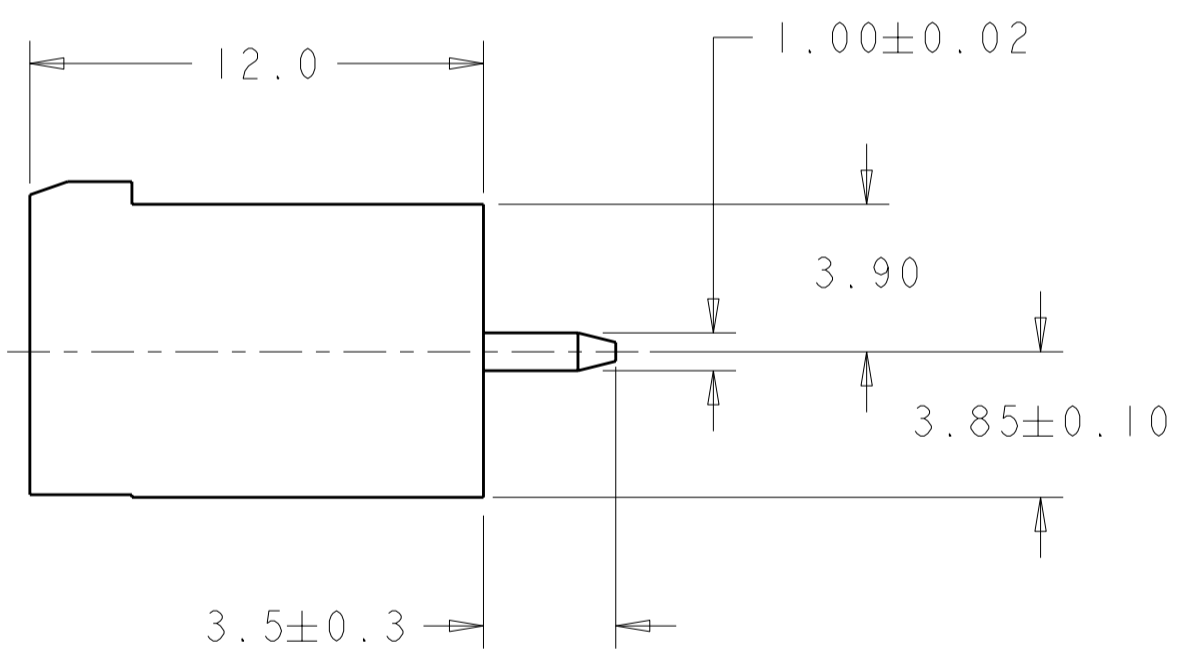
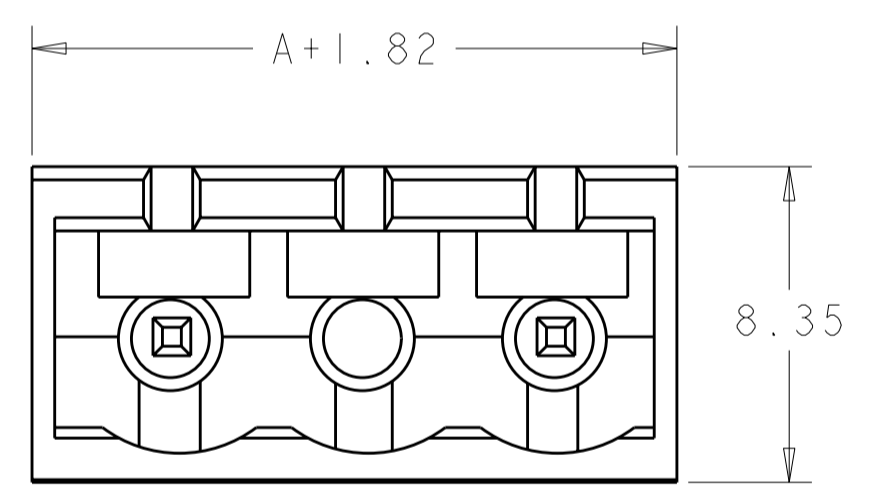
LOC		DIST		REVISIONS			
P	LTR	DESCRIPTION	DATE	DWN	APVD		
	C	REVISED PER 063B-0119-01	31JUL2001	EZ	DB		
	D	REVISED ECO-07-008459	24APR2007	SW	CR		



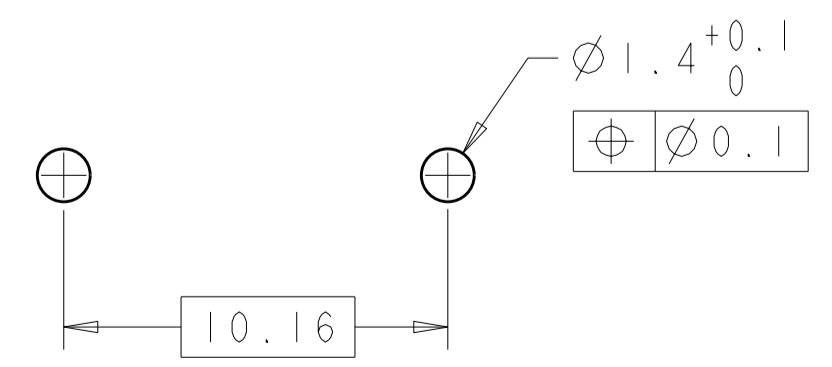
- △ MATERIALS
 HOUSING: PA 6-6, UL 94-V0, COLOR: SEE TABLE
 CONTACT: PHOSPHOR BRONZE, FINISH: SEE TABLE
- SUITABLE FOR 1,6-2,4mm PC BOARD THICKNESS.
 - RECOGNIZED UNDER THE COMPONENT PROGRAM OF UNDERWRITERS LABORATORIES INC. FILE N° E60677
 - IMQ CERTIFICATE WITH SURVEILLANCE IN CONFORMITY WITH IEC 998-1/998-2-1.
- △ NOT CUMULATIVE TOLERANCE.



282828-2 AS SHOWN



BLACK	TIN PLATED	35.56	4	2-282828-4
GREEN	0.00076 GOLD PLATED	15.24	2	1-282828-4
GREEN	TIN PLATED	127.00	13	1-282828-3
GREEN		116.84	12	1-282828-2
GREEN		106.68	11	1-282828-1
GREEN		96.52	10	1-282828-0
GREEN		86.36	9	282828-9
GREEN		76.20	8	282828-8
GREEN		66.04	7	282828-7
GREEN		55.88	6	282828-6
GREEN		45.72	5	282828-5
GREEN		35.56	4	282828-4
GREEN		25.40	3	282828-3
GREEN		15.24	2	282828-2
HOUSING COLOR	CONTACT FINISH	A	NO OF POSN	PART NUMBER



RECOMMENDED PC BOARD LAYOUT

THIS DRAWING IS A CONTROLLED DOCUMENT FOR TYCO ELECTRONICS CORPORATION. IT IS SUBJECT TO CHANGE AND THE CONTROLLING ENGINEERING ORGANIZATION SHOULD BE CONTACTED FOR THE LATEST REVISION.

DIMENSIONS:	TOLERANCES UNLESS OTHERWISE SPECIFIED:	DWN	31 JUL 2001	Tyco Electronics Harrisburg, PA 17105-3608	
mm	0 PLC ±.3 1 PLC ±.3 2 PLC ±.25 3 PLC ±. 4 PLC ±. ANGLES ±2	CHK	31 JUL 2001		
		APVD	31 JUL 2001		
		PRODUCT SPEC	108-20166		
MATERIAL		APPLICATION SPEC	114-20079	NAME	TERMINAL BLOCK HEADER ASSEMBLY 180° CLOSED ENDS 10.16mm PITCH
		WEIGHT	-	SIZE	A2
		CUSTOMER DRAWING		CAGE CODE	00779
				DRAWING NO	C-282828
				RESTRICTED TO	-
				SCALE	5:1
				SHEET	1 OF 1
				REV	D