

4

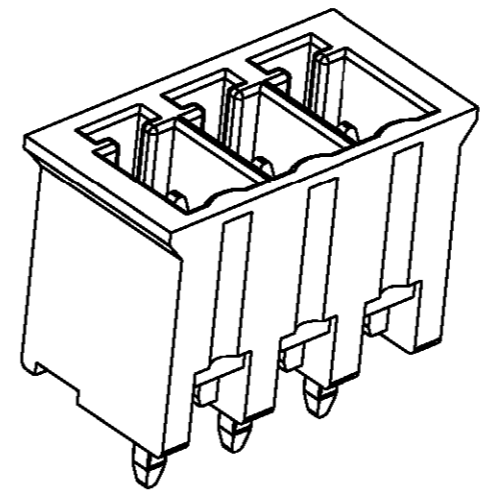
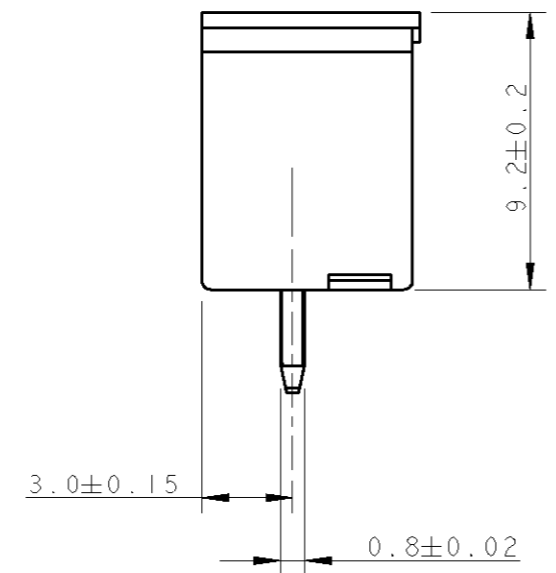
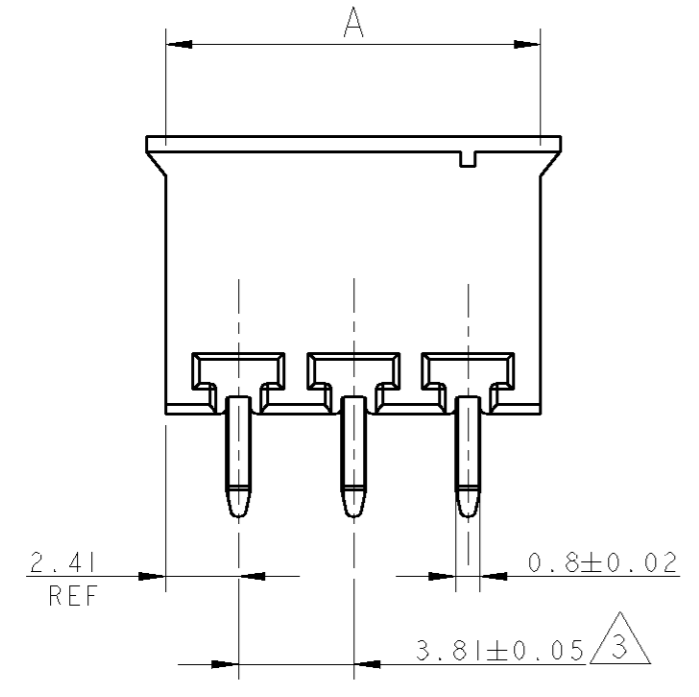
3

2

1

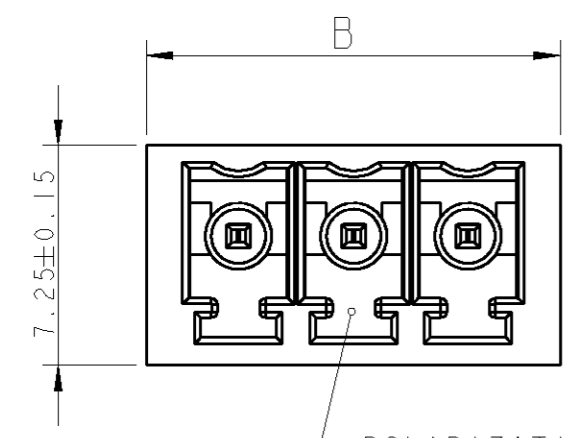
THIS DRAWING IS UNPUBLISHED. RELEASED FOR PUBLICATION 20
 © COPYRIGHT 20 BY TYCO ELECTRONICS CORPORATION. ALL RIGHTS RESERVED.

LOC	DIST	REVISIONS			
P	LTR	DESCRIPTION	DATE	DWN	APVD
	B	REVISED PER 0G3B-0119-01	06FEB2002	EZ	DB
	C	REVISED EC 0G3B-0401-04	02JUN2004	SW	CR



284517-3 AS SHOWN

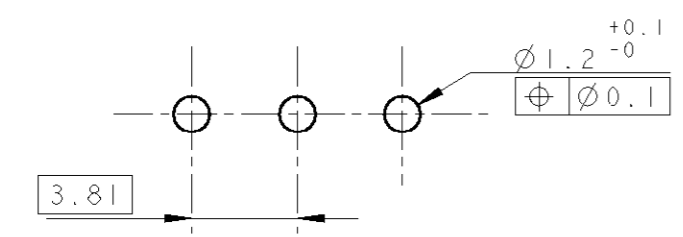
97.54	96.26	25	2-284517-5
93.73	92.45	24	2-284517-4
89.92	88.64	23	2-284517-3
86.11	84.83	22	2-284517-2
82.30	81.02	21	2-284517-1
78.49	77.21	20	2-284517-0
74.68	73.40	19	1-284517-9
70.87	69.59	18	1-284517-8
67.06	65.78	17	1-284517-7
63.25	61.97	16	1-284517-6
59.44	58.16	15	1-284517-5
55.63	54.35	14	1-284517-4
51.82	50.54	13	1-284517-3
48.01	46.73	12	1-284517-2
44.20	42.92	11	1-284517-1
40.39	39.11	10	1-284517-0
36.58	35.30	9	284517-9
32.77	31.49	8	284517-8
28.96	27.68	7	284517-7
25.15	23.87	6	284517-6
21.34	20.06	5	284517-5
17.53	16.25	4	284517-4
13.72	12.44	3	284517-3
9.91	8.63	2	284517-2



POLARIZATION KEY SLOT

- 1 MATERIALS AND FINISH
 HOUSING : PA 6.6, UL 94-V0, COLOR GREEN
 TERMINAL : PHOSPHOR BRONZE, TIN PLATED
- 2 SUITABLE FOR 1.6-2.4 mm. PC BOARD THICKNESS
- 3 NOT CUMULATIVE TOLERANCE

B	A	NO OF POS	PART NUMBER
---	---	-----------	-------------



RECOMMENDED PC BOARD LAYOUT

THIS DRAWING IS A CONTROLLED DOCUMENT FOR TYCO ELECTRONICS CORPORATION
 IT IS SUBJECT TO CHANGE AND THE CONTROLLING ENGINEERING ORGANIZATION
 SHOULD BE CONTACTED FOR THE LATEST REVISION.

DIMENSIONS: mm	TOLERANCES UNLESS OTHERWISE SPECIFIED: 0 PLC ±- 1 PLC ±.3 2 PLC ±.25 3 PLC ±- 4 PLC ±- ANGLES ±2	DWN 06FEB2002 E. ZANOLINI CHK 06FEB2002 E. ZANOLINI APVD 06FEB2002 D. BIEVENOUR	BUCHANAN Tyco Electronics Harrisburg, PA 17105-3608
MATERIAL	FINISH	PRODUCT SPEC 108-20166 APPLICATION SPEC 114-20079 WEIGHT -	NAME TERMINAL BLOCK, HEADER ASSEMBLY STRAIGHT, CLOSED ENDS 3.81mm PITCH
		CUSTOMER DRAWING	SIZE A3 CAGE CODE 00779 DRAWING NO C-284517 RESTRICTED TO -
		SCALE 4:1	SHEET 1 OF 1 REV C