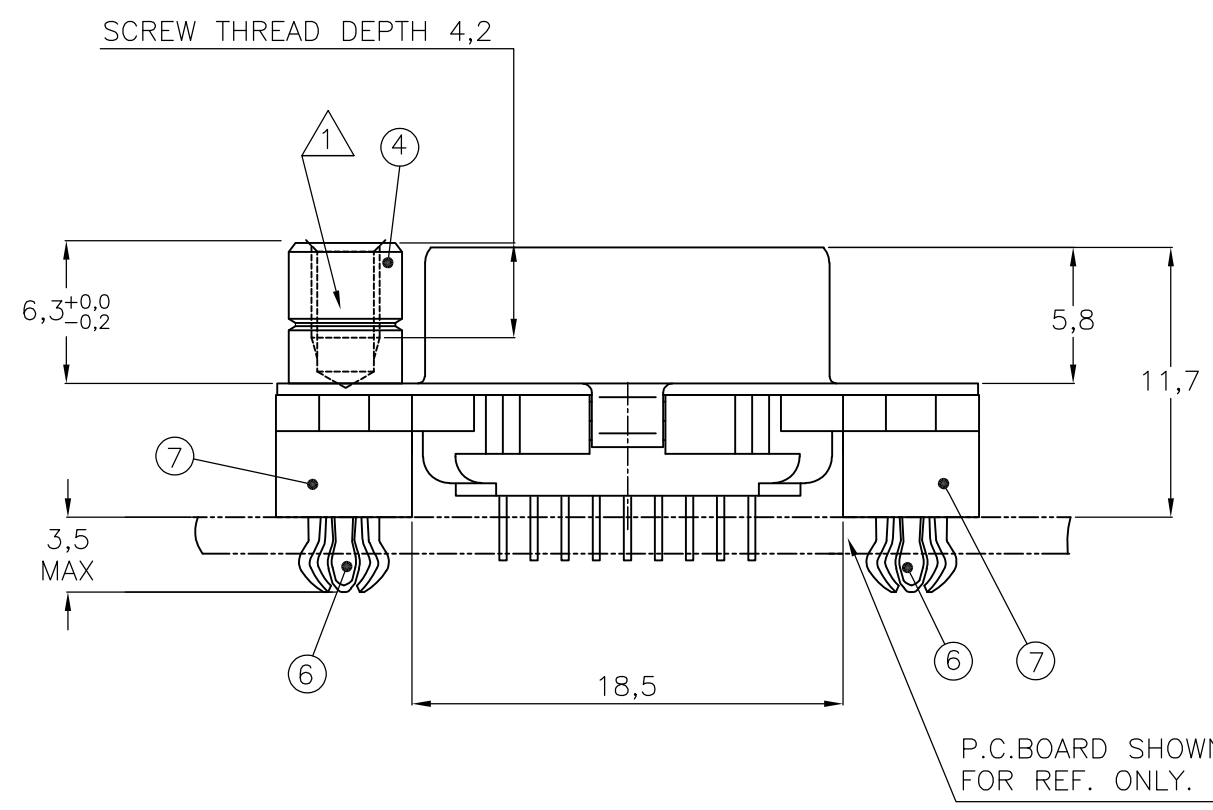
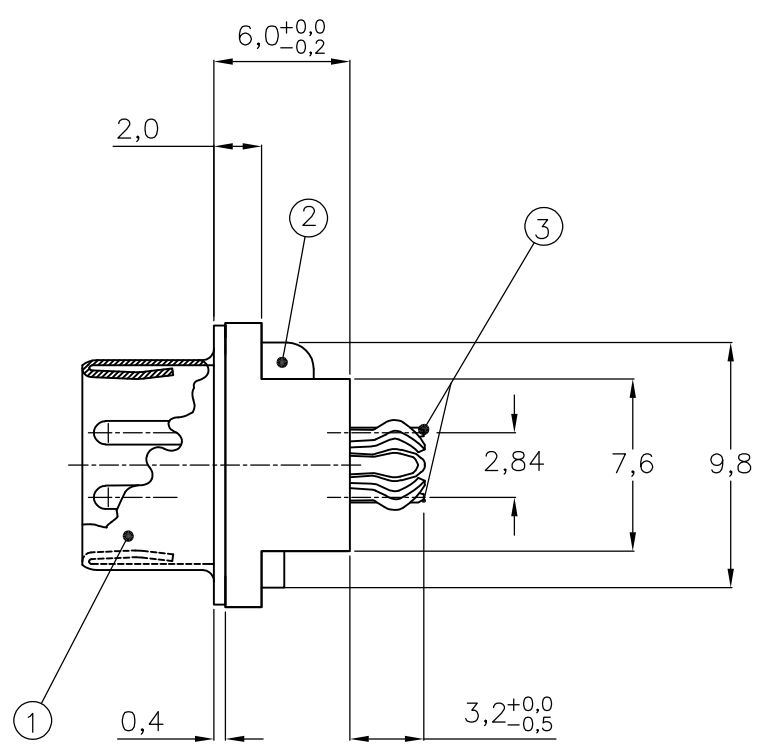
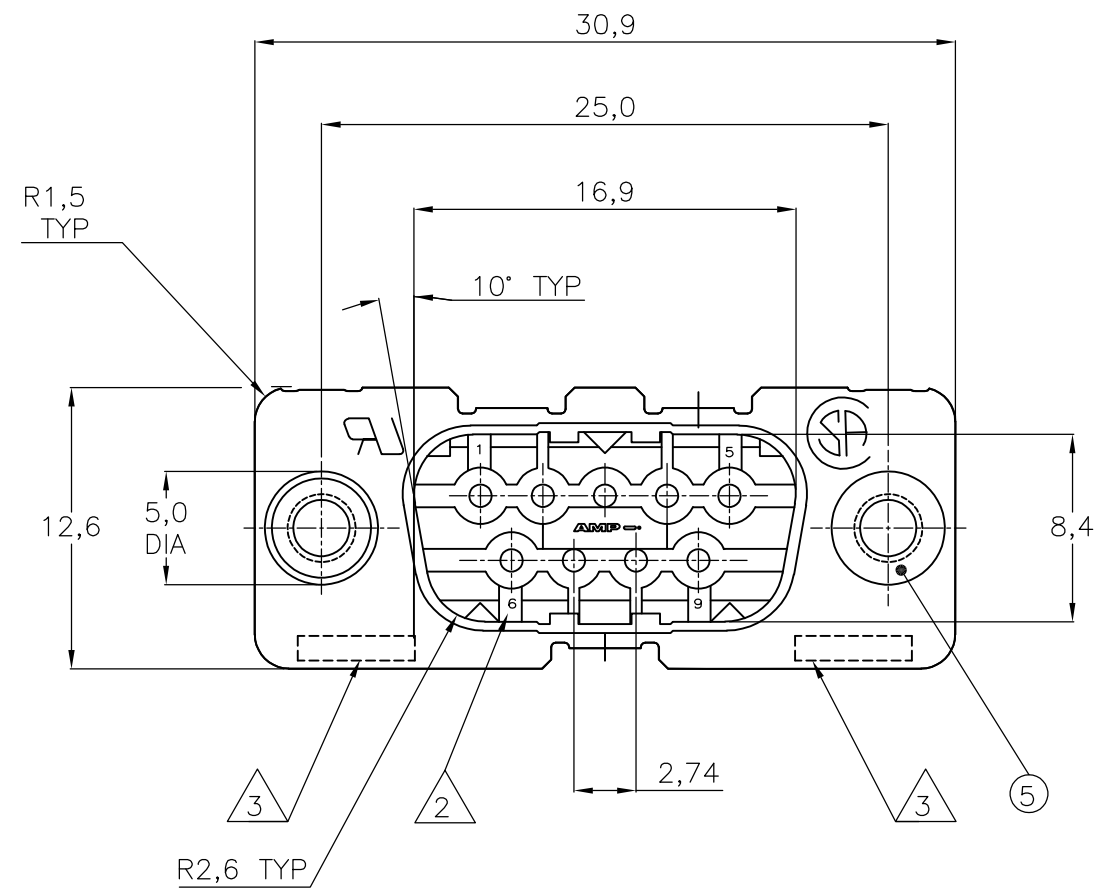


THIS DRAWING IS UNPUBLISHED. RELEASED FOR PUBLICATION  
 © COPYRIGHT BY TYCO ELECTRONICS CORPORATION. ALL RIGHTS RESERVED.

LOC	DIST	REVISIONS					
		P	LTR	DESCRIPTION	DATE	DWN	APVD
H	-		E	EH01-0321-04	08-03-04	JvdH	PDJ
			F	ECR-06-016133	10-07-06	BSV	MK
			F1	ECR-08-018358	25-07-08	BSV	MK



ACCESSORIES PREFIX "Z"	ITEM NR.	DESCRIPTION OF ACCESSORY	1	2	3	4	5	6	7	8	9
5		BUSHING WITH THROUGHHOLE 3,1 DIA.									
5		BUSHING WITH THREAD 4-40 UNC	2								
5		BUSHING WITH THREAD M3		2							
4		FEMALE SCREWLOCK WITH THREAD 4-40 UNC			2						
4		FEMALE SCREWLOCK WITH THREAD M3				2					
6		BOARDLOCK	2	2	2	2					

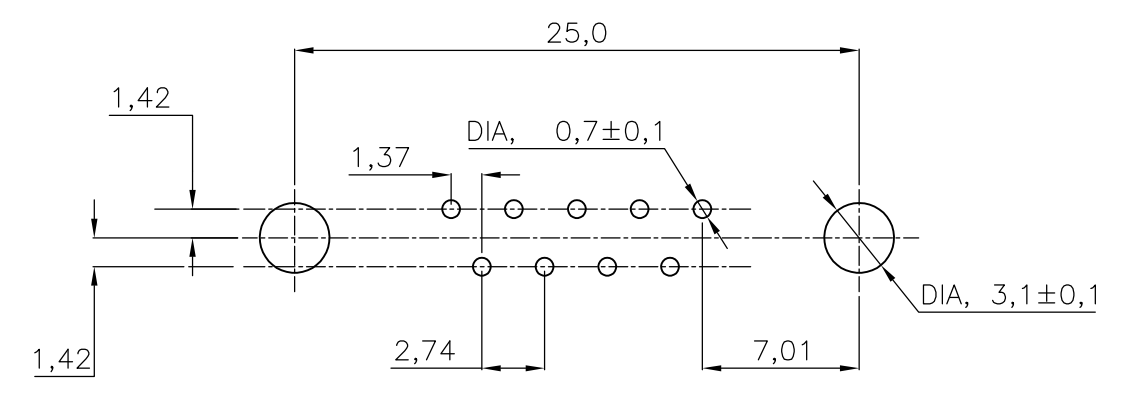
HOW TO ORDER:  
 9 POS. -----> Z-338309-Y  
 PREFIX FOR ACCESSORIES  
 BASIC PARTNR.  
 SUFFIX FOR PLATING

PLATING SUFFIX "Y"  
 GOLD OVER NICKEL AS PER PERFORMANCE LEVEL 2 (DIN 41652)  
 SOLDERPART: 2,5µm Sn. } -Y = -2  
 - } -

- 1 GROOVE INDICATES VERSION WITH 4-40 UNC INNER THREAD; WITHOUT GROOVE INDICATES VERSION WITH M3 INNER THREAD.
- 2 CAVITY IDENTIFICATION AT FRONT SIDE ONLY.
- 3 PARTNUMBER AND DATE CODE.
- 4 WHEN BOARDLOCKS ARE USED, CONNECTOR CAN BE USED FOR PCB THICKNESS OF 1,6 mm ONLY.
- 5 SHELL HAS 2x2 GROUNDING SPRINGS; PITCH IS 3,6 mm
- 6 AIR AND CREEPAGE DISTANCES ACCORDING TO DIN41652

- ITEM NRS./MATERIAL :
- 1 SHELL : BRIGHT TINPLATED STEEL
  - 2 HOUSING : GLASSFILLED POLYESTER, COLOR : BLACK
  - 3 CONTACTS : PHOSPHORBRONZE (PLATING : SEE TABLE ABOVE)
  - 4 FEMALE SCREWLOCK : TINPLATED STEEL (INNER THREAD 4-40 UNC OR M3)
  - 5 BUSHING : TINPLATED STEEL (INNER THREAD 4-40 UNC OR M3 OR 3,1 DIA. THROUGHHOLE)
  - 6 BOARDLOCK : TINPLATED PHOSPHORBRONZE
  - 7 STAND-OFF : ULTRAMID V0 COLOR : BLACK

RECOMMENDED P.C. BOARD HOLE-LAYOUT



THIS DRAWING IS A CONTROLLED DOCUMENT.		DWN J.V.LIEMPT 03JUL97	Tyco Electronics Corporation s-Hertogenbosch, Netherlands.	
DIMENSIONS: mm		CHK C.SOUISA 09SEP97	NAME	
TOLERANCES UNLESS OTHERWISE SPECIFIED:		APVD E.LEIJTENS 09SEP97	PRODUCT SPEC	
0 PLC ± -		APPLICATION SPEC		
1 PLC ± -		WEIGHT		
2 PLC ± -		SCALE NTS		
3 PLC ± -		SHEET 1 OF 1		
4 PLC ± -		REV F1		
ANGLES ± -		CUSTOMER DRAWING		
FINISH		SIZE A2 CAGE CODE 00779 DRAWING NO. C=338309 RESTRICTED TO		