

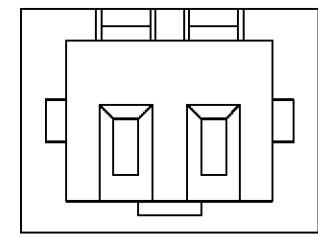
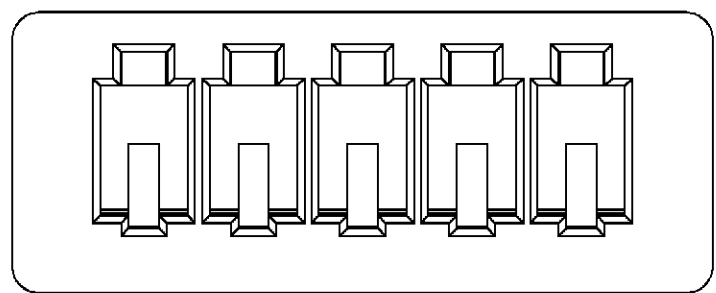
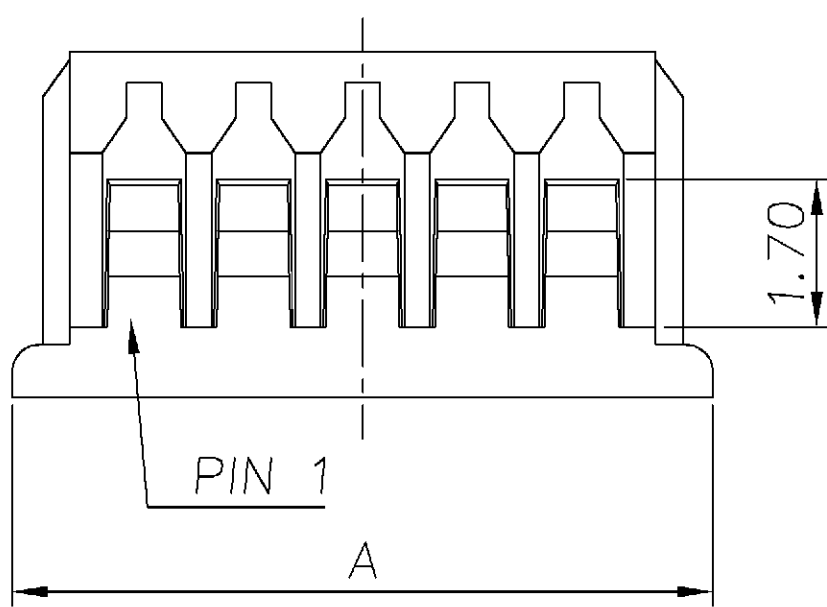
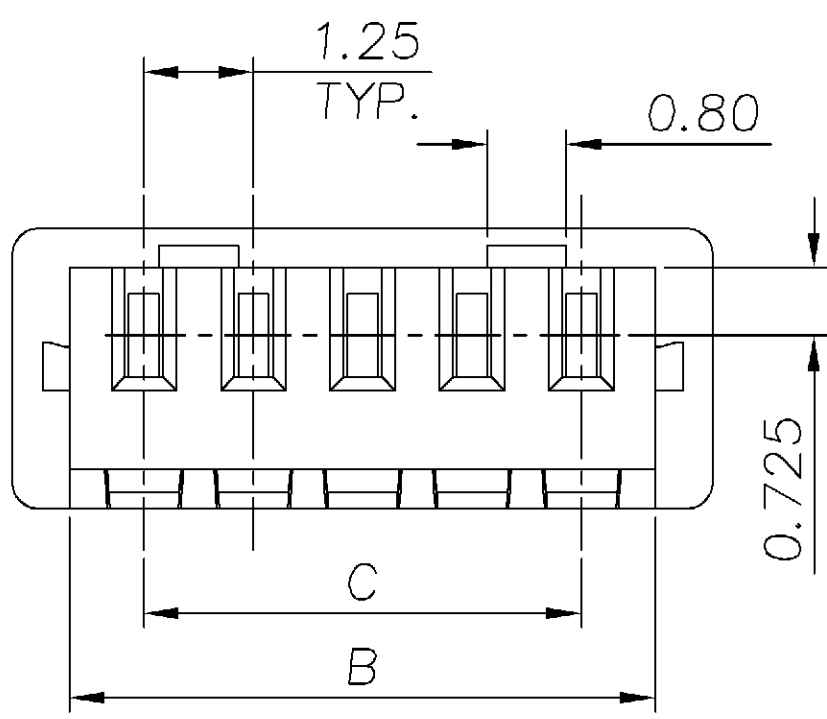
NUMBER
C-440146



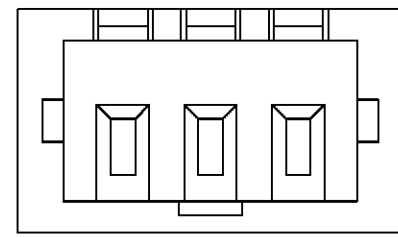
METRIC

THIS INFORMATION IS CONFIDENTIAL AND IS DISCLOSED TO YOU ON CONDITION THAT NO FURTHER DISCLOSURE IS MADE BY YOU TO OTHER THAN AMP PERSONNEL WITHOUT WRITTEN AUTHORIZATION FROM AMP (TAIWAN) LTD. DIMENSIONS IN MILLIMETERS. DO NOT SCALE PRINT.

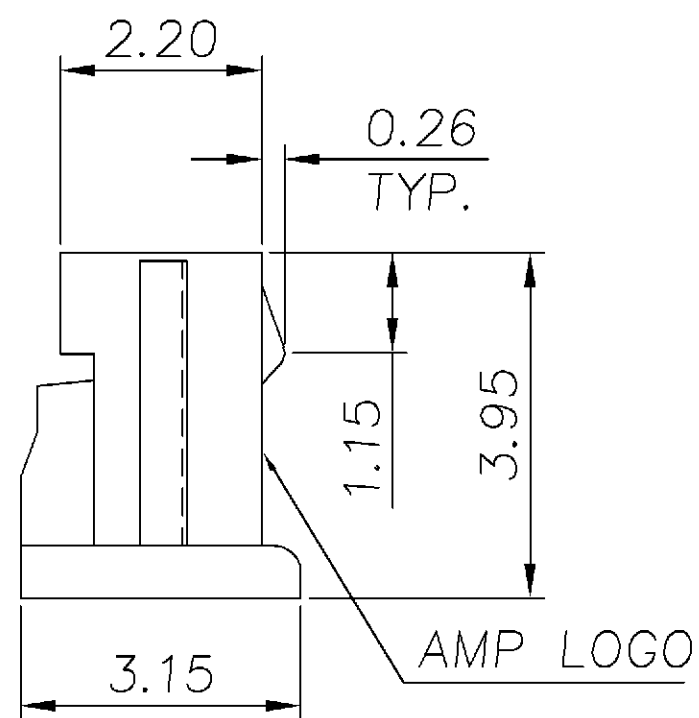
PRINT
DW



2 POS.



3 POS.



NOTE:
1. MATERIAL:
HOUSING: THERMOPLASTIC, UL 94V-0,
COLOR: NATURAL.
2. APPLY TERMINAL PART NO: X-440147-X.

15	20.50	19.20	17.50	1-440146-5
14	19.25	17.95	16.25	1-440146-4
13	18.00	16.70	15.00	1-440146-3
12	16.75	15.45	13.75	1-440146-2
11	15.50	14.20	12.50	1-440146-1
10	14.25	12.95	11.25	1-440146-0
9	13.00	11.70	10.00	440146-9
8	11.75	10.45	8.75	440146-8
7	10.50	9.20	7.50	440146-7
6	9.25	7.95	6.25	440146-6
5	8.00	6.70	5.00	440146-5
4	6.75	5.45	3.75	440146-4
3	5.50	4.20	2.50	440146-3
2	4.25	2.95	1.25	440146-2

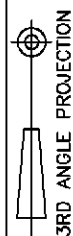
POS.	DIMENSIONS			PART NUMBER
	A	B	C	

B	REVISED DRAWING	FZ00-0167-03	OH AW	31JUL 2003
A	REVISED	FZ00-0166-02	OH JC	26JUL 2002
O	FIRST RELEASED	FZ00-0078-02	OH JC	04APR 2002
LTR	REVISION RECORD	ECN	DWN CHK	DATE

DIMENSION : 0 PLC ± 1 PLC ±0.15 2 PLC ±0.10 3 PLC ±0.05 ANGLES ±3'		DWN O. HU 29-JUL-2003	TYCO HOLDINGS (BERMUDA) VII LTD. TAIWAN BRANCH	
MATERIAL SEE NOTE		CHK A. WU 29-JUL-2003	NAME	
FINISH SEE NOTE		APVD J. CHENG 29-JUL-2003	WIRE TO BOARD SOCKET, HOUSING, 1.25 PITCH.	
PRODUCT SPEC 108-57225		QUALIFICATION TEST REPORT 501-57229	LOC DW	SIZE A ₃
WEIGHT		SCALE	DRAWING NO C-440146	REV B
			SHEET 1 OF 2	

8 7 6 5 4 3 2 1 CUSTOMER DRAWING

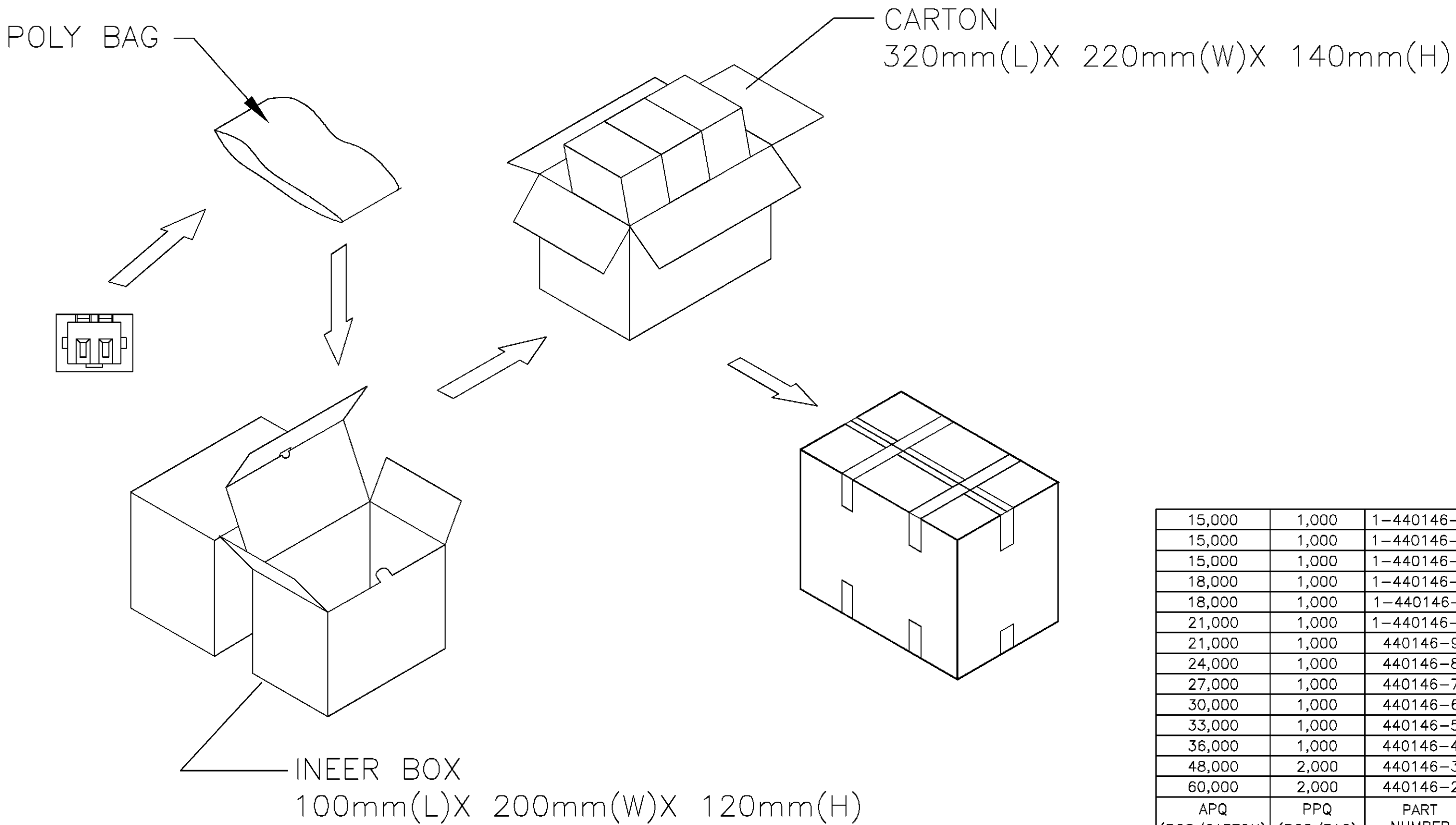
NUMBER
C-440146



METRIC

THIS INFORMATION IS CONFIDENTIAL AND IS DISCLOSED TO YOU ON CONDITION THAT NO FURTHER DISCLOSURE IS MADE BY YOU TO OTHER THAN AMP PERSONNEL WITHOUT WRITTEN AUTHORIZATION FROM AMP (TAIWAN) LTD. DIMENSIONS IN MILLIMETERS. DO NOT SCALE PRINT.

PRINT
DW



15,000	1,000	1-440146-5
15,000	1,000	1-440146-4
15,000	1,000	1-440146-3
18,000	1,000	1-440146-2
18,000	1,000	1-440146-1
21,000	1,000	1-440146-0
21,000	1,000	440146-9
24,000	1,000	440146-8
27,000	1,000	440146-7
30,000	1,000	440146-6
33,000	1,000	440146-5
36,000	1,000	440146-4
48,000	2,000	440146-3
60,000	2,000	440146-2
APQ (PCS/CARTON)	PPQ (PCS/BAG)	PART NUMBER

DIMENSION : 0 PLC ± 1 PLC ±0.15 2 PLC ±0.10 3 PLC ±0.05 ANGLES ±3'	DWN	O. HU	tyco TYCO HOLDINGS (BERMUDA) Electronics VII LTD. TAIWAN BRANCH		
	CHK	A. WU	NAME		
MATERIAL	APVD	J. CHENG	WIRE TO BOARD SOCKET, HOUSING, 1.25 PITCH.		
	PRODUCT SPEC	29-JUL-2003			
FINISH	QUALIFICATION TEST REPORT	LOC DW		SIZE A₃	DRAWING NO C-440146
	WEIGHT	SCALE		REV B	
				SHEET 2 OF 2	

LTR	SEE SHEET 1.	ECN	DWN	CHK	DATE
	REVISION RECORD				