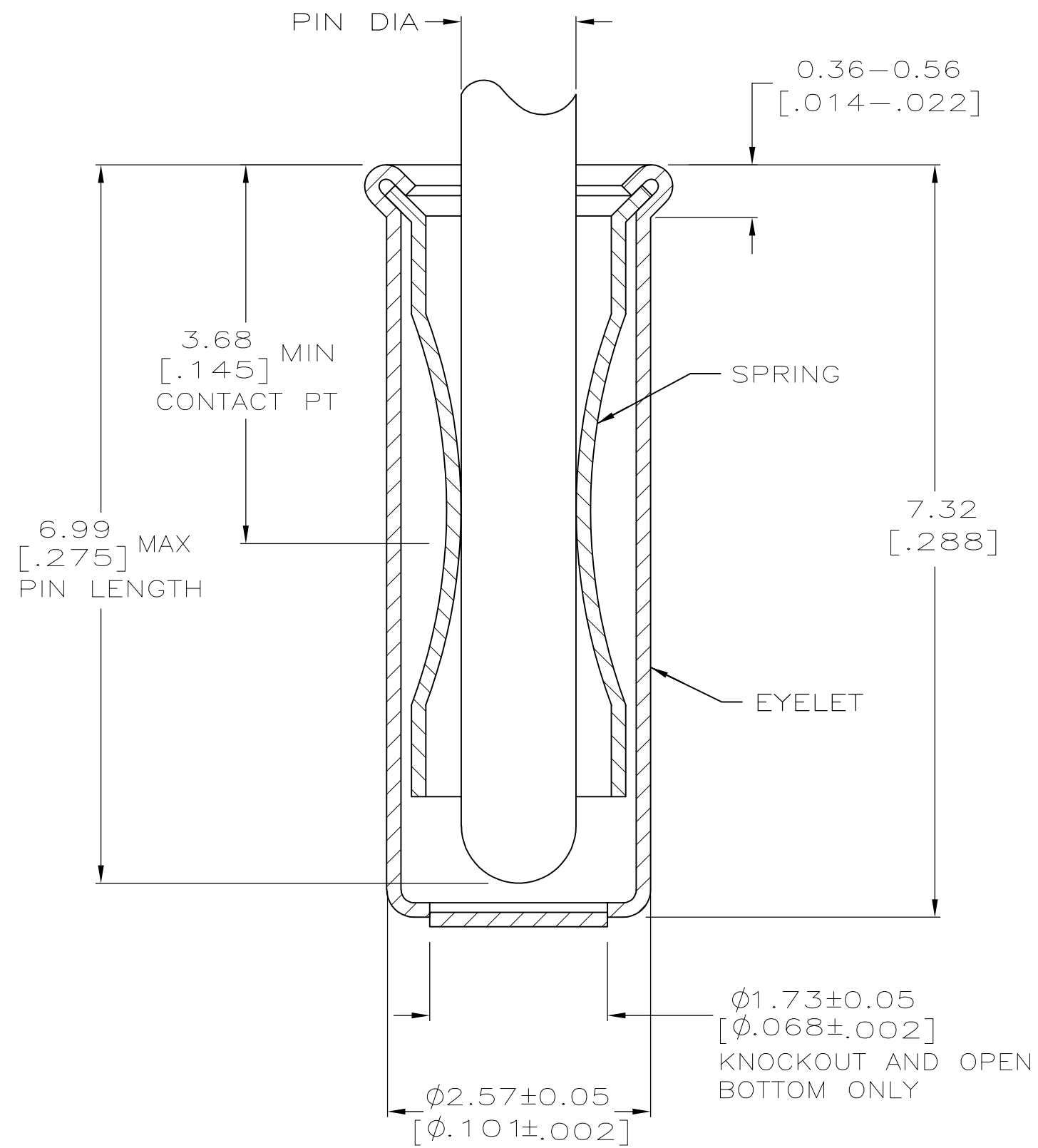
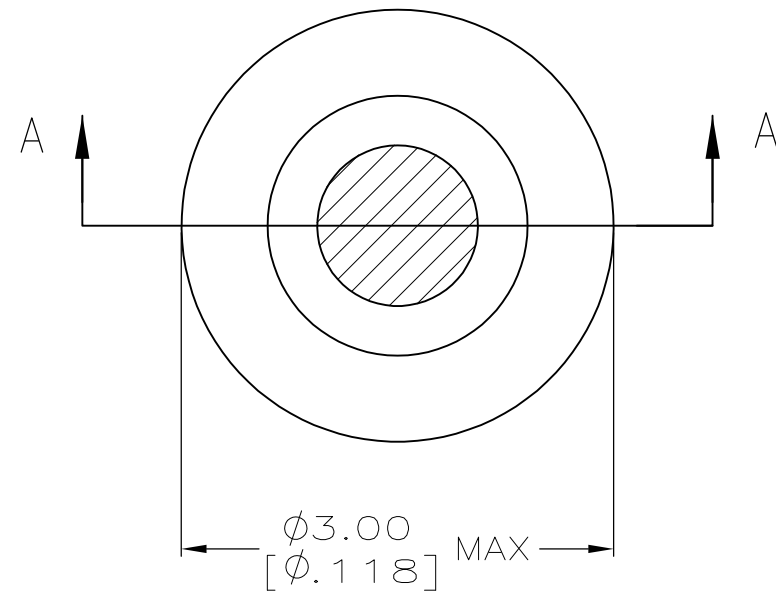


THIS DRAWING IS UNPUBLISHED. RELEASED FOR PUBLICATION  
 © COPYRIGHT BY TYCO ELECTRONICS CORPORATION. ALL RIGHTS RESERVED.

LOC		DIST		REVISIONS		
GP		00		11-11-94 RT		
P	LTR	DESCRIPTION	DATE	DWN	APVD	
A		REVISED PER EC-0511-0086-05.	26SEP2005	JGH	JGH	
A1		REVISED PER ECO-10-000444	19JAN2010	KK	HMR	



SECTION A-A

- ① TIN PLATE PER ASTM B 545 .0.00254 [.000100] MIN THICK.
- ② GOLD PER ASTM B 488, 0.00076 [.000030] MIN THICK OVER NICKEL PLATE PER QQ-N-290 0.00028 [.000011] MIN THICK ON CONTACT AREA.
- 3. RECOMMENDED HOLE SIZE, PLATED OR UNPLATED:  
 MACHINE INSERTION: 2.56±0.08 [.101±.003]  
 HAND INSERTION: 2.62<sup>+0.10</sup>/<sub>-0.00</sub> [.103<sup>+0.004</sup>/<sub>-.000</sub>]
- 4. APPLICATION TOOL PART NUMBER:  
 MACHINE NO. 682127-6  
 INSERTION HEAD NO. 682039-5
- ⑤ TO INSURE PROPER SPRING TENSION DO NOT EXCEED A 0.05 [.002] DIFFERENCE IN PIN DIA WHEN CHANGING TO A SMALLER PIN.
- 6. BOTTOM PLUG KNOCKOUT TOOL PART NUMBER 69729 WITH TIP PART NUMBER 69728-3.
- ⑦ MATERIAL: SPRING: BERYLLIUM COPPER PER ASTM B 194  
 EYELET: COPPER PER ASTM B 152
- ⑧ OBSOLETE PARTS: OBSOLETE CIS STREAMLINING PER D.RENAUD/D.SINISI

STATE	FINISH	RECOMMENDED PIN DIA	EYELET	SPRING	PART NO
OPEN	TIN ①	1.42-1.65 [.056-.065]	TIN ①	GOLD ②	2-5050871-4
CLOSED					2-5050871-3
<del>⑧ OBSOLETE</del>					2-5050871-1
OPEN	TIN ①	1.27-1.45 [.050-.057]			1-5050871-9
CLOSED					1-5050871-0
OPEN		1.07-1.24 [.042-.049]		TIN ①	5050871-8
CLOSED					5050871-6
OPEN				GOLD ②	5050871-5
					5050871-1
BOTTOM TYPE		RECOMMENDED PIN DIA ⑤	FINISH		

THIS DRAWING IS A CONTROLLED DOCUMENT.		DWN J. ALCORTA - DOCK5 20APR2005	Tyco Electronics Corporation Harrisburg, PA 17105-3608		
DIMENSIONS: mm [INCHES]		CHK J. HAVENER 20APR2005	NAME MINIATURE SPRING SOCKET ASSEMBLY SERIES 5		
TOLERANCES UNLESS OTHERWISE SPECIFIED:		APVD J. HAVENER 20APR2005	PRODUCT SPEC		
0 PLC ± -		APPLICATION SPEC			
1 PLC ± -		WEIGHT			
2 PLC ± -		SCALE 20:1			
3 PLC ± 0.20 [.008]		SHEET 1 OF 1			
4 PLC ± -		REV A1			
ANGLES ± -		CUSTOMER DRAWING			
MATERIAL ⑦		SIZE A2 CAGE CODE 00779 C=5050871			
FINISH SEE TABLE		RESTRICTED TO			