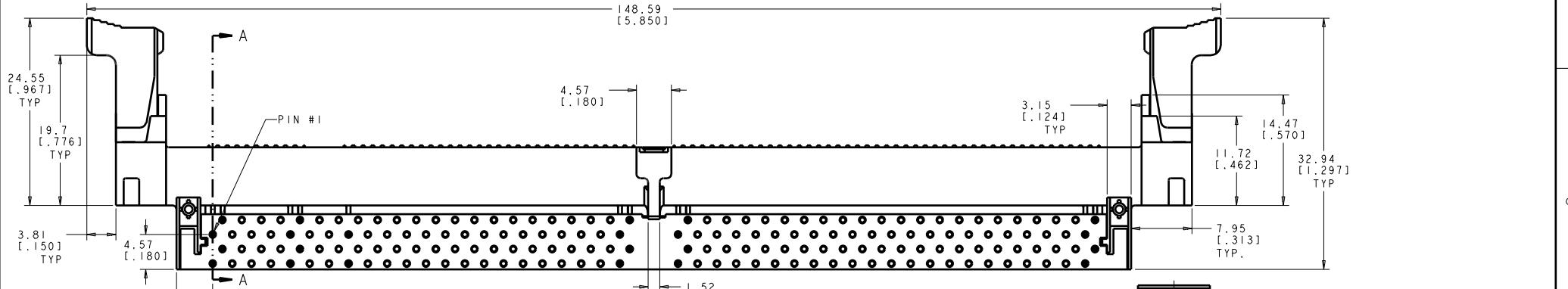
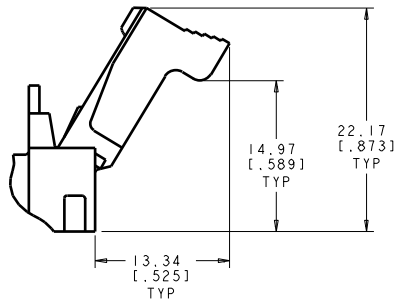


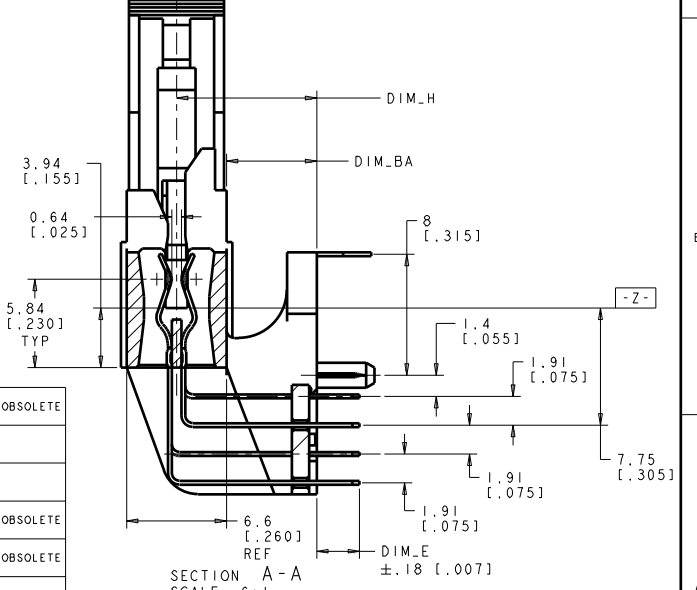
REVOLUTIONS		DATE	BY	APP'D
1	RELEASED PER ECR-09-022734	SHOWY009	FC	SY



- ▲ MATERIAL:  
 HOUSING: HIGH TEMPERATURE NYLON  
 CONTACT: PHOSPHOR BRONZE
- ▲ FINISH:  
 CONTACT AREA:  
 0.00076 [.000030] MIN THICK GOLD OVER  
 0.001270 [.000050] MIN THICK NICKEL.  
 OR  
 0.000076 [.000003] MIN THICK GOLD FLASH OVER  
 0.000510 [.000020] MIN THICK PALLADIUM NICKEL OVER  
 0.001270 [.000050] MIN THICK NICKEL.  
 SOLDERTAIL:  
 0.00381 [.000150] MIN THICK MATTE TIN OVER  
 0.00064 [.000025] MIN THICK NICKEL.



EXTRACTOR SHOWN IN THE OPEN POSITION



SECTION A-A  
SCALE 6:1

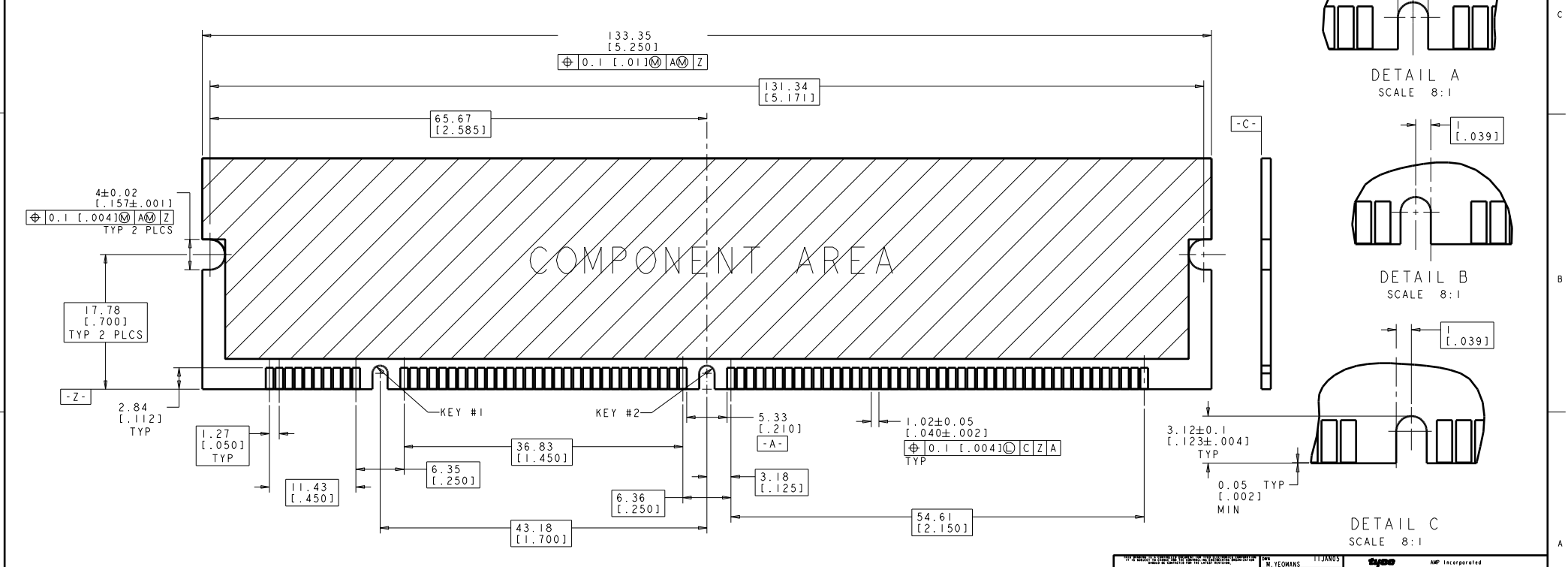
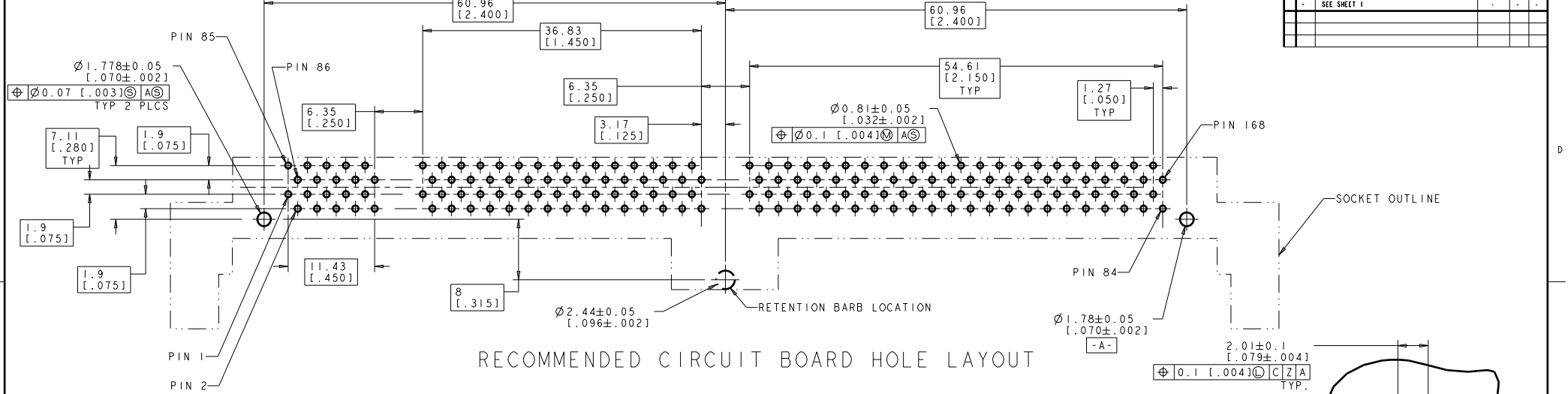
- ▲ FOR OPTIMUM PERFORMANCE, PADS SHOULD BE SMOOTH AND FLAT PADS TO BE PLATED WITH:  
 0.00102 [.000040] MIN THICK GOLD OVER  
 0.00127 [.000050] MIN THICK NICKEL.
- ▲ 5390171-6 IS SAME CONNECTOR AS 1-5390171-0 EXCEPT WITH LUBRICATED CONTACTS.

NB	3.3	10.92 [.430]	18.03 [.710]	14.22 [.560]	3.68 [.145]	7.62 [.300]	DETAIL C	DETAIL A	SYNC NON-BUFFERED DRAM, 3.3 VOLT	2-5390171-6	OBSOLETE
NB	3.3	10.92 [.430]	18.03 [.710]	14.22 [.560]	3.18 [.125]	7.62 [.300]	DETAIL C	DETAIL A	SYNC NON-BUFFERED DRAM, 3.3 VOLT	1-5390171-6	
SYNC	3.3	10.92 [.430]	18.03 [.710]	14.22 [.560]	3.18 [.125]	7.62 [.300]	DETAIL B	DETAIL A	SYNC DRAM, 3.3 VOLT	1-5390171-5	
STD	3.3	10.92 [.430]	18.03 [.710]	14.22 [.560]	3.18 [.125]	7.62 [.300]	DETAIL A	DETAIL A	STD DRAM, 3.3 VOLT	1-5390171-4	OBSOLETE
NB	3.3	9.27 [.365]	16.38 [.645]	12.57 [.495]	2.83 [.112]	5.97 [.235]	DETAIL C	DETAIL A	SYNC NON-BUFFERED DRAM, 3.3 VOLT	1-5390171-0	OBSOLETE
NB	3.3	9.27 [.365]	16.38 [.645]	12.57 [.495]	2.83 [.112]	5.97 [.235]	DETAIL C	DETAIL A	SYNC NON-BUFFERED DRAM, 3.3 VOLT	5390171-6 ▲	
SYNC	3.3	9.27 [.365]	16.38 [.645]	12.57 [.495]	2.83 [.112]	5.97 [.235]	DETAIL B	DETAIL A	SYNC DRAM, 3.3 VOLT	5390171-5	OBSOLETE
STD	3.3	9.27 [.365]	16.38 [.645]	12.57 [.495]	2.83 [.112]	5.97 [.235]	DETAIL A	DETAIL A	STD DRAM, 3.3 VOLT	5390171-4	OBSOLETE
TYPE	Y.Y	DIM_H	DIM_G	DIM_F	DIM_E ±.18 [0.07]	DIM_BA	KEY #1	KEY #2	PART DESCRIPTION	PART NUMBER	

DIMENSIONS: mm [INCHES]		DATE: 11 JAN 83 BY: M. YEOMANS CHECKED: J. JANOS	AMP Incorporated Harrisburg, PA 17105-3608
MATERIAL: 5390171-6		APPLICATION SPEC: 17.78mm LOCKING EXTRACTORS.	PART NUMBER: 5390171-6
CUSTOMER DRAWING		SCALE: 4:1	SHEET: 1 OF 2

THIS DRAWING IS UNCLASSIFIED  
 BY 1740 ELECTRONICS CORPORATION, AEC HISTORY REVIEWER  
 DATE 08/20/2012

REV	DATE	DESCRIPTION	BY	CHKD	APP'D
0		SEE SHEET 1			



**RECOMMENDED MODULE LAYOUT**  $\Delta$   
 SEE JEDEC SPEC. MO-161 FOR COMPLETE MODULE DETAILS  
 1.27 ± 0.10 [0.050 ± 0.004] THICK ACROSS CONTACT PADS

DIMENSIONS mm [INCHES]	OPERATING ENVIRONMENT MIL-STD-883C	MFG M. YEOMANS DATE 11/20/05	AMP Incorporated Harrisburg, PA 17105-3608
MATERIAL 304 STAINLESS STEEL	FINISH POLISHED	PART NUMBER SOCKET, DIMM., DRO, RT ANGLE, 168 POSITION, 17.78mm LOCKING EXTRACTORS.	DRAWING NUMBER A100779-5390171
CUSTOMER DRAWING		SCALE 1:1	SHEET 2 OF 2