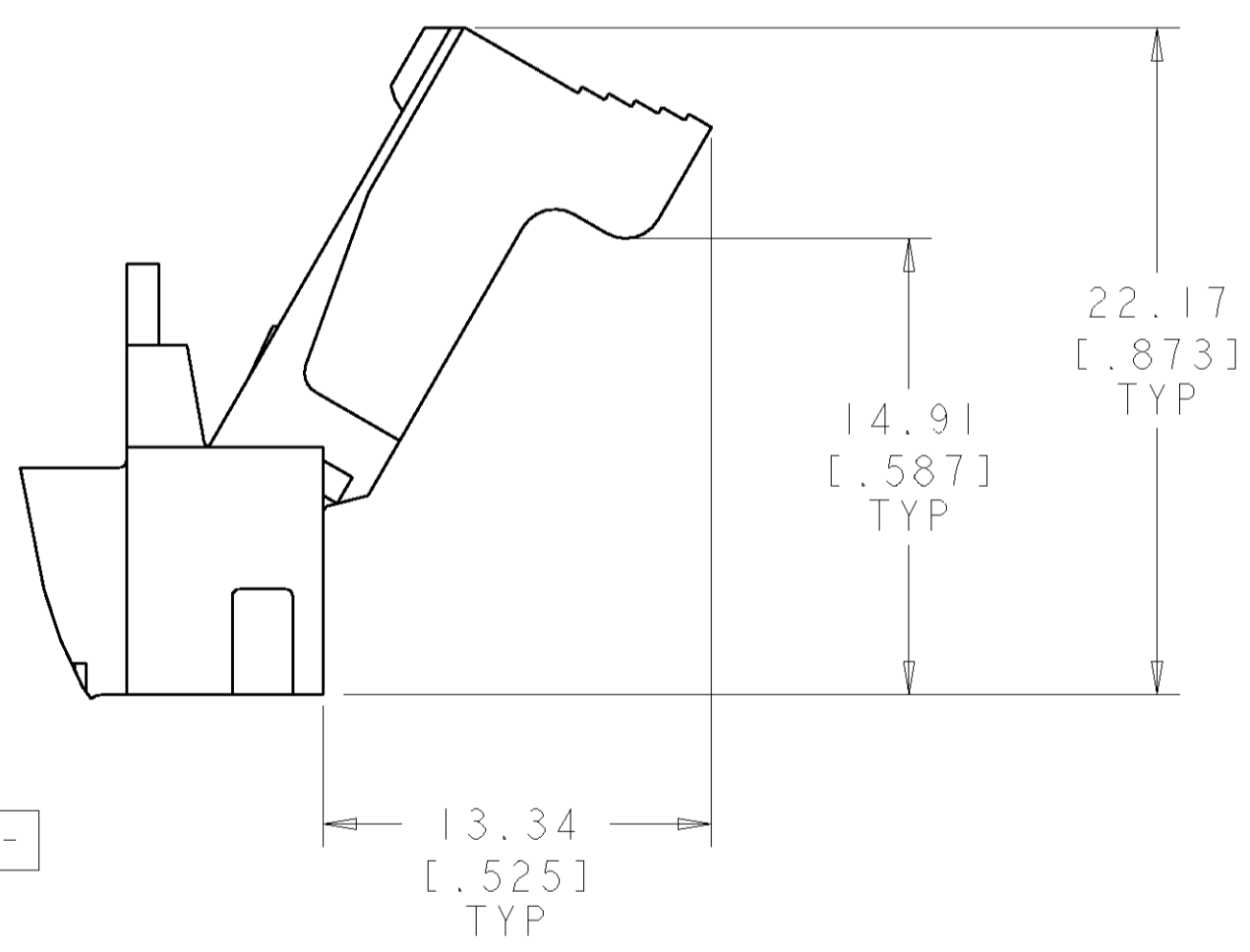
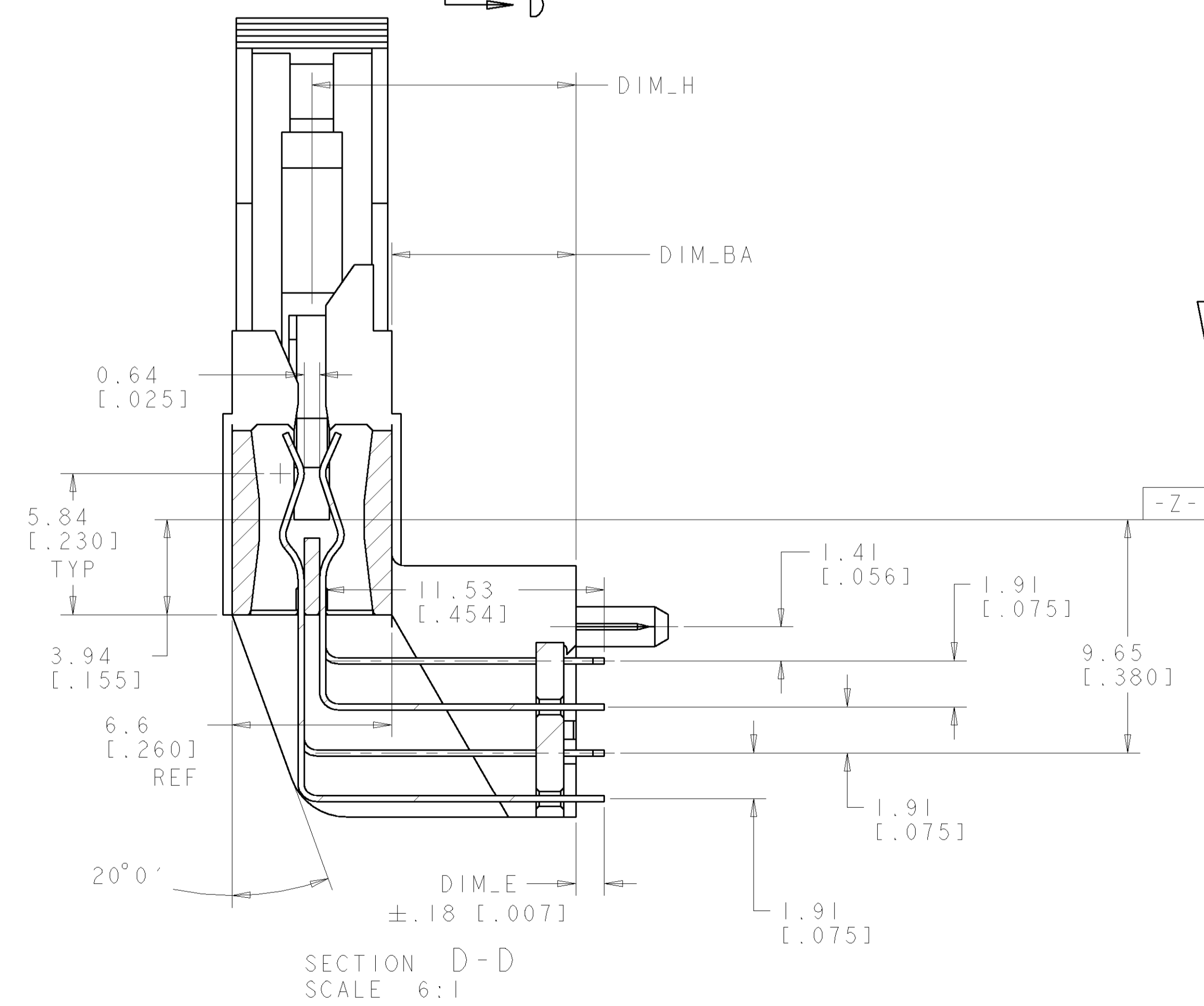
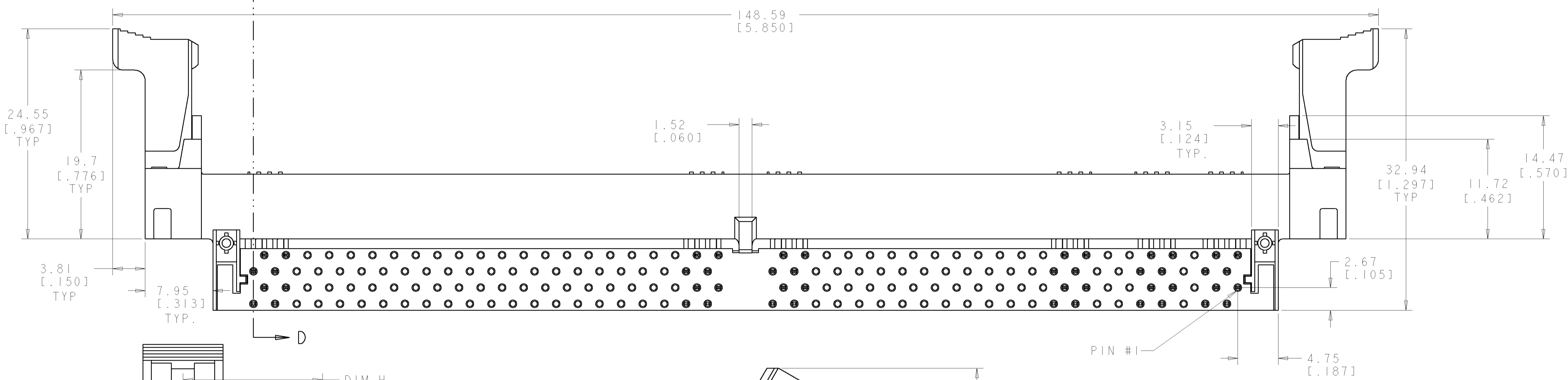
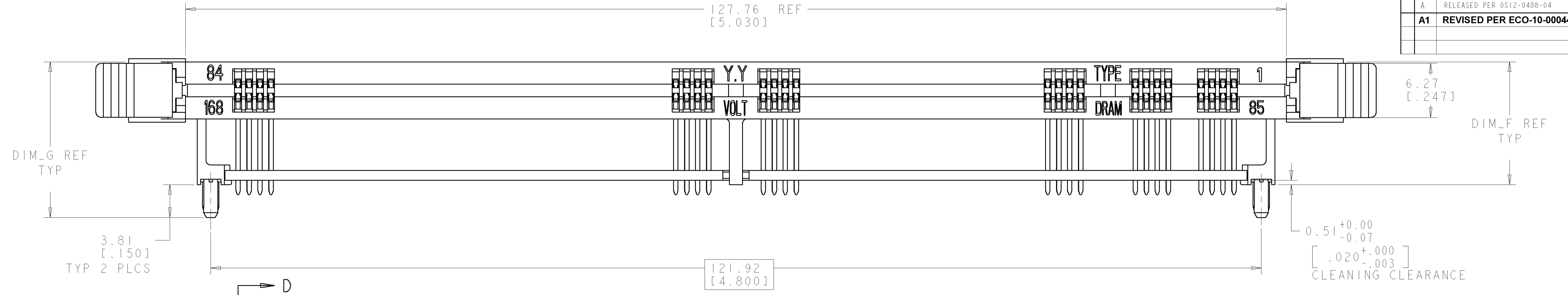


LOC		DIST		REVISIONS			
GP	0	P	LTR	DESCRIPTION	DATE	DWN	APVD
A				RELEASED PER 0512-0488-04	12JAN05	MY	SB
A1				REVISED PER ECO-10-000445	11JAN10	KK	AEG



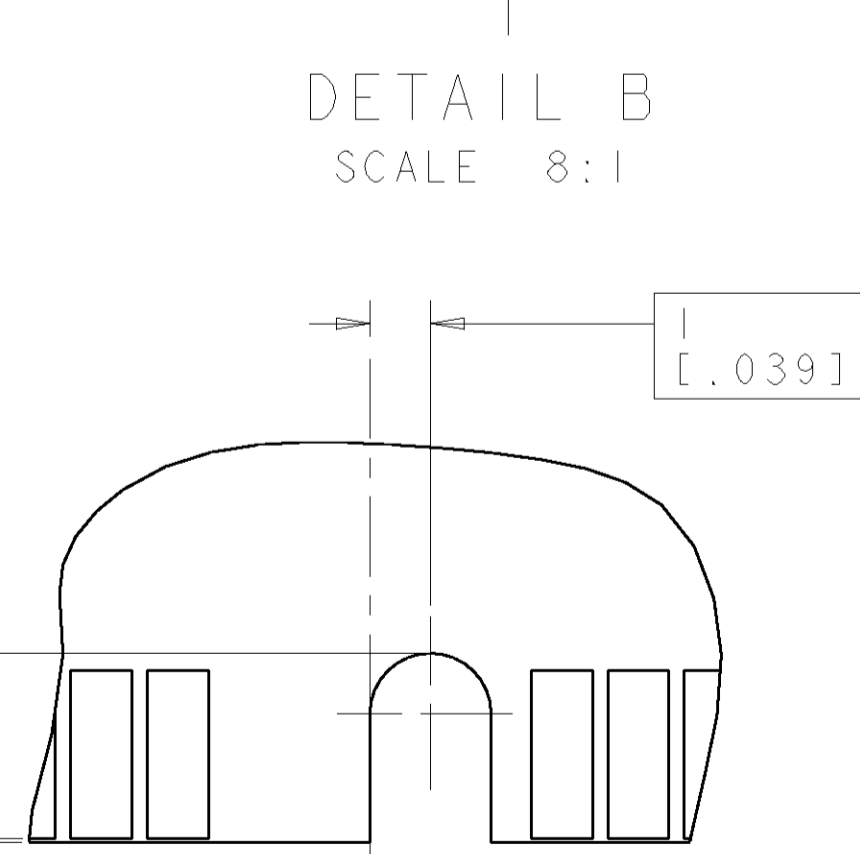
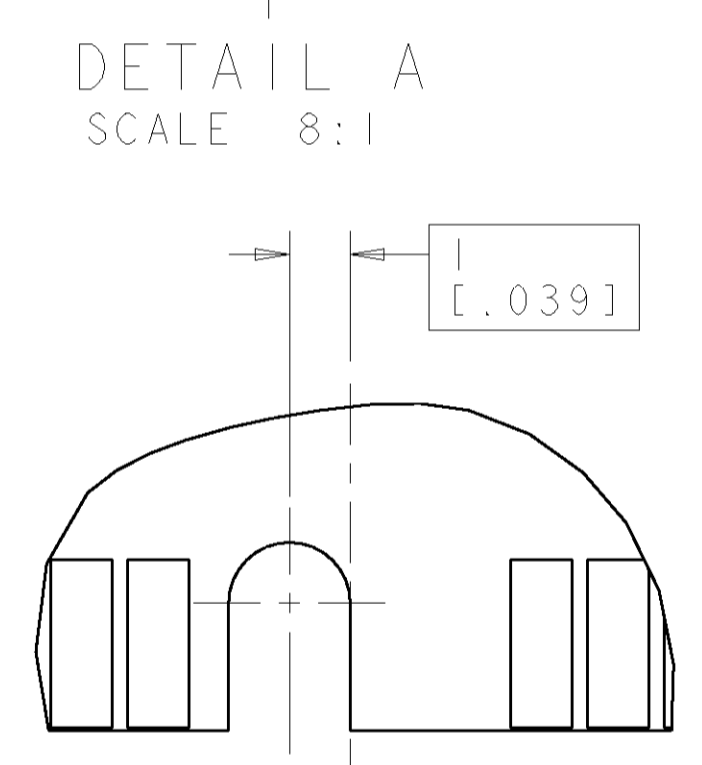
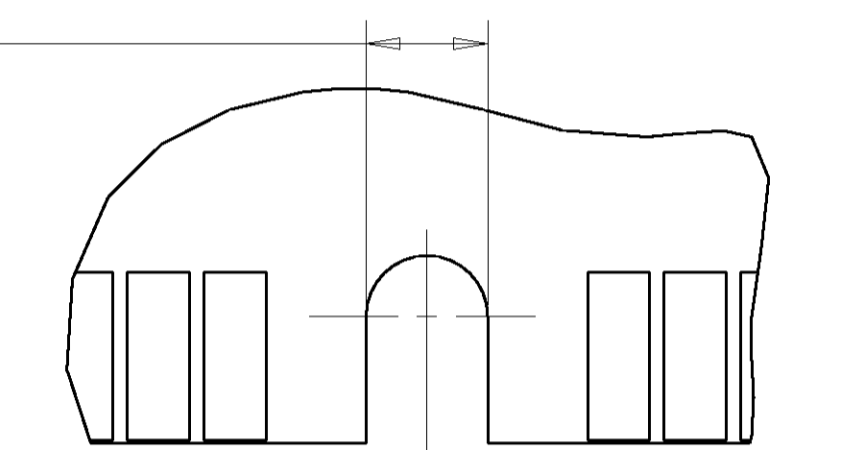
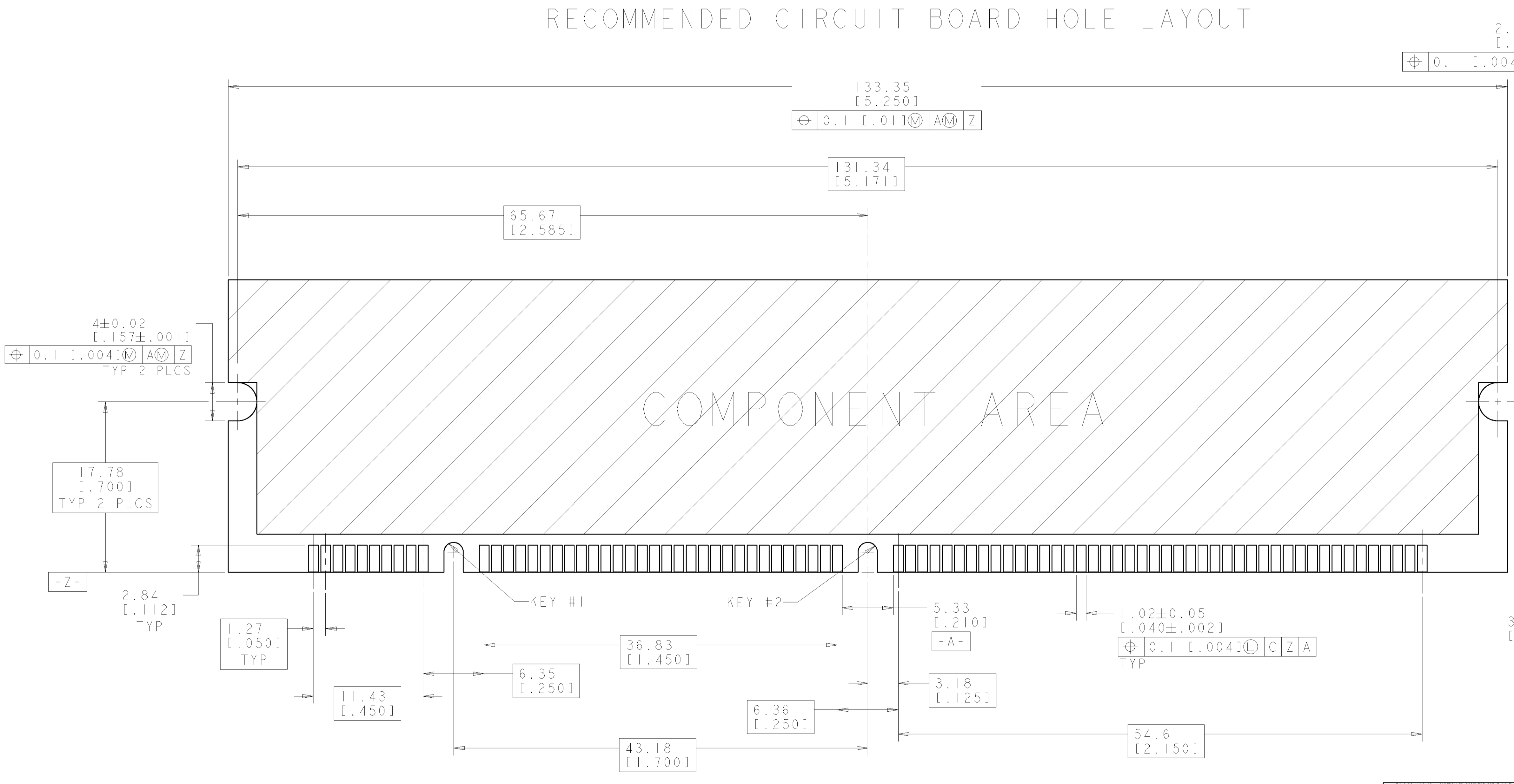
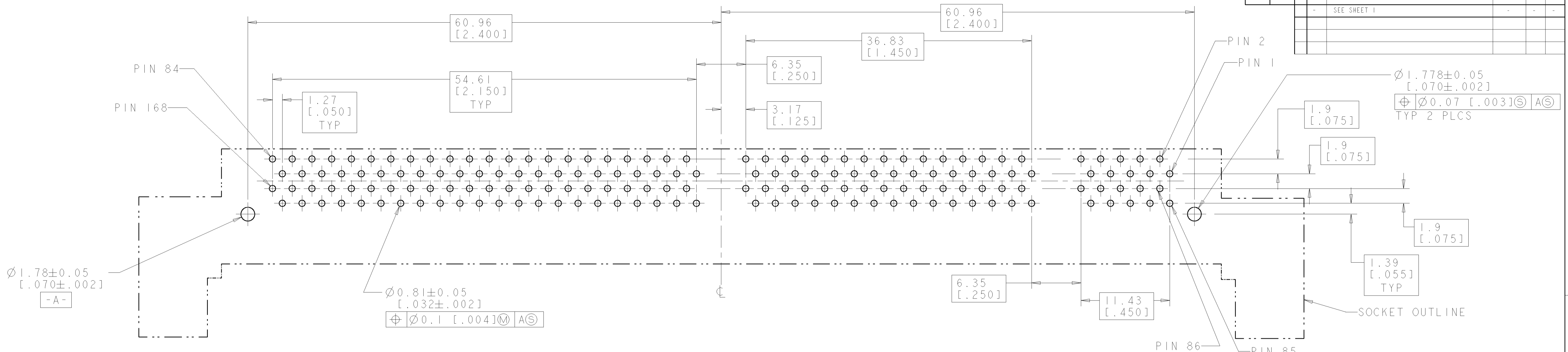
NOTES:

- 1 MATERIAL:
HOUSING:
HIGH TEMPERATURE NYLON
CONTACT:
PHOSPHOR BRONZE
- 2 FINISH:
CONTACT AREA:
0.00076 [.000030] MIN THICK GOLD OVER
0.001270 [.000050] MIN THICK NICKEL.
OR
0.000076 [.000003] MIN THICK GOLD FLASH OVER
0.000510 [.000020] MIN THICK PALLADIUM NICKEL OVER
0.001270 [.000050] MIN THICK NICKEL.
SOLDERTAIL:
0.00381 [.000150] MIN THICK MATTE TIN OVER
0.00064 [.000025] MIN THICK NICKEL.
- 3 FOR OPTIMUM PERFORMANCE, PADS SHOULD BE SMOOTH AND FLAT)
PADS TO BE PLATED WITH:
0.00102 [.000040] MIN THICK GOLD OVER
0.00127 [.000050] MIN THICK NICKEL.
- 4 OBSOLETE PARTS: OBSOLETE CIS STREAMLINING PER D.RENAUD/D.SINISI

DIMENSIONS: mm [INCHES]		TOLERANCES UNLESS OTHERWISE SPECIFIED:		DWN M. YEOMANS 12JAN05		Tyco Electronics Harrisburg, PA 17105-3608	
0 PLC ±		1 PLC ±		ENR M. YEOMANS 12JAN05		NAME SOCKET, DRO, RT ANGLE, VERSION 11, 168 POSITION, 17.78mm LOCKING EXTRACTORS (NO BARB)	
1 PLC ±		2 PLC ±		APVD S. BURKHOLDER 12JAN05		PRODUCT SPEC	
3 PLC ±		4 PLC ±		APPLICATION SPEC		SIZE A1 00779	
4 PLC ±		ANGLES ±1°		WEIGHT		CAGE CODE C=5390172	
MATERIAL		FINISH		CUSTOMER DRAWING		RESTRICTED TO	
				SCALE 4:1		SHEET 1 OF 3	
				REV A1			

LOC	DISC	REV	DATE	BY	APPD
GP	0				

REVISIONS		DATE	BY	APPD
P	LTR			
-	SEE SHEET 1	-	-	-



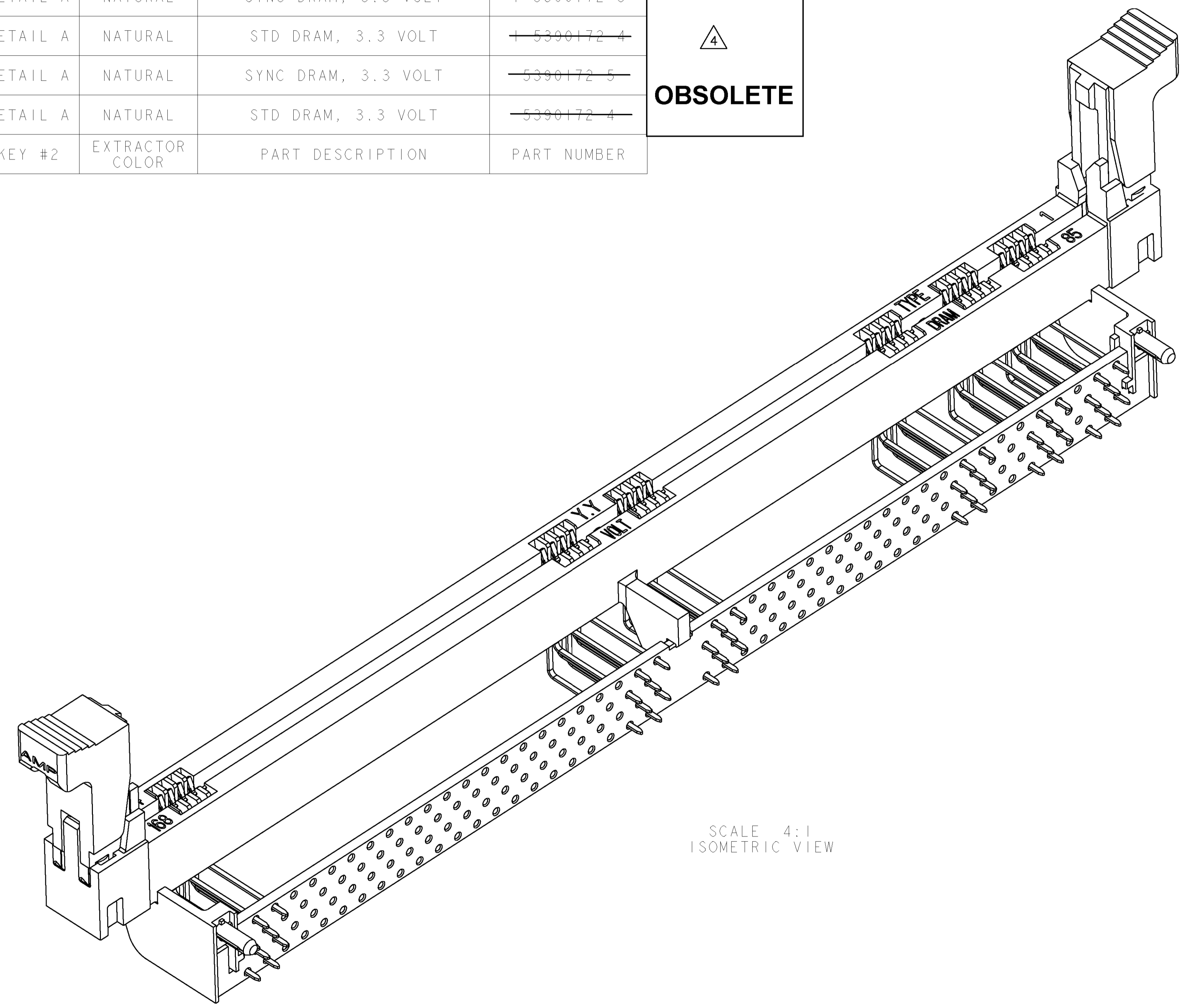
DIMENSIONS: mm [INCHES]		TOLERANCES UNLESS OTHERWISE SPECIFIED:		DWN: M. YEOMANS 12JAN05		APVD: S. BURKHOLDER 12JAN05		NAME: SOCKET, DRO, RT ANGLE, VERSION 11, 168 POSITION, 17.78mm LOCKING EXTRACTORS (NO BARB)	
0 PLC	±	0 PLC	±	DATE	BY	DATE	BY	SIZE	CAGE CODE
1 PLC	±	1 PLC	±	12JAN05	M. YEOMANS	12JAN05	S. BURKHOLDER	A1	00779
2 PLC	±	2 PLC	±					SCALE	4:1
3 PLC	±	3 PLC	±					SHEET	2 OF 3
4 PLC	±	4 PLC	±					REV	A1
ANGLES	±	ANGLES	±						
MATERIAL		FINISH							

LOC	DIST	P	LTR	REVISIONS	DATE	DWN	APVD
GP	0	-	-	SEE SHEET 1	-	-	-

NB	3.3	9.27 [.365]	16.38 [.645]	12.57 [.495]	3.56 [.140]	5.97 [.235]	DETAIL C	DETAIL A	NATURAL	SYNC. NON-BUFFERED DRAM, 3.3 VOLT	6-5390172-6
NB	3.3	9.27 [.365]	16.38 [.645]	12.57 [.495]	2.84 [.112]	5.97 [.235]	DETAIL C	DETAIL A	GRAY	SYNC. NON-BUFFERED DRAM, 3.3 VOLT	5-5390172-6
NB	3.3	9.27 [.365]	16.38 [.645]	12.57 [.495]	2.84 [.112]	5.97 [.235]	DETAIL C	DETAIL A	NATURAL	SYNC. NON-BUFFERED DRAM, 3.3 VOLT	1-5390172-6
SYNC	3.3	9.27 [.365]	16.38 [.645]	12.57 [.495]	2.84 [.112]	5.97 [.235]	DETAIL B	DETAIL A	NATURAL	SYNC DRAM, 3.3 VOLT	1-5390172-5
STD	3.3	9.27 [.365]	16.38 [.645]	12.57 [.495]	2.84 [.112]	5.97 [.235]	DETAIL A	DETAIL A	NATURAL	STD DRAM, 3.3 VOLT	1-5390172-4
SYNC	3.3	9.27 [.365]	16.38 [.645]	12.57 [.495]	1.96 [.077]	5.97 [.235]	DETAIL B	DETAIL A	NATURAL	SYNC DRAM, 3.3 VOLT	5390172-5
STD	3.3	9.27 [.365]	16.38 [.645]	12.57 [.495]	1.96 [.077]	5.97 [.235]	DETAIL A	DETAIL A	NATURAL	STD DRAM, 3.3 VOLT	5390172-4
TYPE	Y.Y	DIM_H	DIM_G REF	DIM_F REF	DIM_E ±.18[.007]	DIM_BA	KEY #1	KEY #2	EXTRACTOR COLOR	PART DESCRIPTION	PART NUMBER

4
OBSOLETE

4
OBSOLETE



SCALE 4:1
ISOMETRIC VIEW

DIMENSIONS: mm [INCHES]		TOLERANCES UNLESS OTHERWISE SPECIFIED: 0 PLC ± 1 PLC ± 2 PLC ± 3 PLC ±0.13[.005] 4 PLC ± ANGLES ±		DWN M. YEOMANS 12JAN05 ENR M. YEOMANS 12JAN05 APVD S. BURKHOLDER 12JAN05		tyco Tyco Electronics Harrisburg, PA 17105-3608	
MATERIAL:		FINISH:		PRODUCT SPEC:		NAME: SOCKET, DRO, RT ANGLE, VERSION 11, 168 POSITION, 17.78mm LOCKING EXTRACTORS (NO BARB)	
CUSTOMER DRAWING		WEIGHT:		SIZE: A1 CAGE CODE: 00779 DRAWING NO: C=5390172		RESTRICTED TO:	
				SCALE: 4:1		SHEET 3 OF 3	
						REV A1	